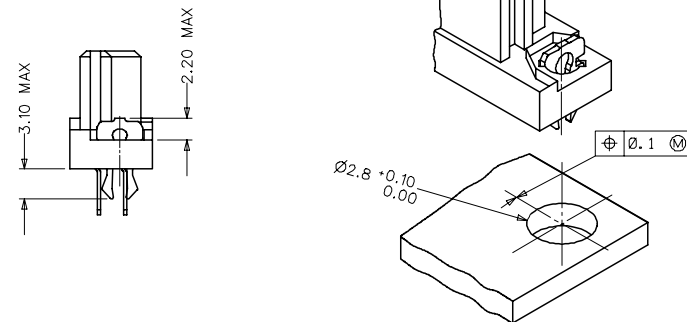


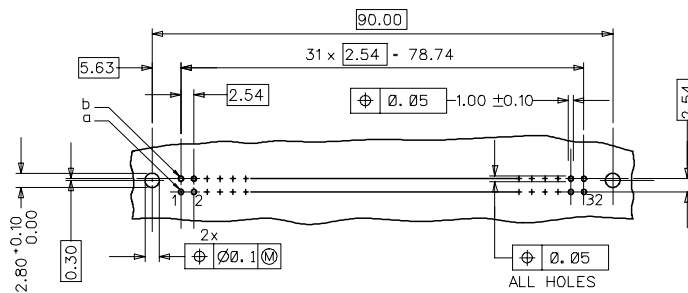
WITH MOUNTING CLIPS



NOTES:

- 1) MATERIALS: THERMOPLASTIC POLYESTER, GLASS FILLED, UL94V-0. COLOUR: NATURAL
TERMINAL - PHOSPHOR BRONZE
MOUNTING CLIP: STEEL
- 2) FINISH: TERMINAL:-
CONTACT AREA
 1. PERFORMANCE LEVEL 1: SELECTIVE GOLD (Au), THICKNESS = 1.1 MICROMETER OVER NICKEL, THICKNESS = 1.8 MICROMETER
 2. PERFORMANCE LEVEL 2: SELECTIVE GOLD (Au), THICKNESS = 0.6 MICROMETER OVER NICKEL, THICKNESS = 1.8 MICROMETER
 3. PERFORMANCE LEVEL 3: SELECTIVE GOLD (Au), THICKNESS = 0.3 MICROMETER OVER NICKEL, THICKNESS = 1.8 MICROMETER
 TERMINATION AREA:
SELECTIVE TIN, THICKNESS = 5 MICROMETER
OVER NICKEL, THICKNESS = 1.5 MICROMETER OVERALL
- 3) MOUNTING CLIP:-
TIN (Sn), THICKNESS = 5-10 MICROMETER,
OVER NICKEL (Ni), THICKNESS = 2.5 MICROMETER
- 4) FOR NON MOUNTING CLIP OPTION, CONNECTOR TO BE SECURED WITH RIVETS: 2 TUBULAR RIVETS 2.5 x 0.3 ... DIN 7340
SCREWS: 2 CHEESEHEAD SCREWS M2.5 x DIN 84 AND 2 HEXAGONAL NUTS M2.5 DIN 934
- 5) MATERIAL NUMBER, BATCH CODE, UL AND CSA MARKING TO BE PRINTED ON THE CONNECTOR
- 6) CUT FACE OF TIP WITHOUT PLATING PERMITTED

RECOMMENDED PCB LAYOUT
COMPONENT SIDE



RoHS COMPLIANT

ENTER DESCRIPTION E.C.N.C. 2007/0044, 2006/10/10 DRAWING ATTACHED 2006/10/11 CHKD: SUDHIR 2006/10/11 APPR: SUDHIR 2006/10/10	QUALITY SYMBOLS ▽=0 ▽=0	GENERAL TOLERANCES (UNLESS SPECIFIED)		DIMENSION STYLE MM ONLY		SCALE 2:1	DESIGN UNITS METRIC	THIRD ANGLE PROJECTION
		mm	INCH	DRAWN BY SUDHIR	DATE 2005/12/13	TITLE ASSEMBLY DIN 41612 64POS B FEMALE	MATERIAL NO. SD-36505-0001	
A1	DESCRIPTION	4 PLACES ±	±	CHECKED BY XPRASAD	DATE 2005/12/13	MATERIAL NO. SD-36505-0001		SHEET NO. 1 OF 2
		3 PLACES ± 0.05	±	APPROVED BY XPRASAD	DATE 2005/12/13	MATERIAL NO. SD-36505-0001		
DRAFT WHERE APPLICABLE MUST REMAIN WITHIN DIMENSIONS		2 PLACES ± 0.1	±	THIS DRAWING CONTAINS INFORMATION THAT IS PROPRIETARY TO MOLEX INCORPORATED AND SHOULD NOT BE USED WITHOUT WRITTEN PERMISSION				
		1 PLACE ± 0.15	±					
		ANGULAR ± 2°						

	20	19	18	17	16	15	14	13	12	11	10	9	8	7	6	5	4	3	2	1
	MATERIAL No	MOLEX ENG No	PERF LEVEL	PLATING	CONTACT SEQUENCE/ROW	DIM "L" mm	MOUNTING CLIP	FLUX PROOF	PART STATUS											
H	36505-0001	MM-B2401-B640	1	Au+Ni	1.2.3....32 a+b	2.9	NO	NO	ACTIVE											
	36505-0002	MM-B2501-B640	2	Au+Ni	1.2.3....32 a+b	2.9	NO	NO	ACTIVE											
	36505-0003	MM-B2601-B640	3	Au+Ni	1.2.3....32 a+b	2.9	NO	NO	ACTIVE											
L	36505-0004	MM-B2101-B640	1	Au+Pd+Ni	1.2.3....32 a+b	2.9	NO	NO	VOID											
	36505-0005	MM-B2201-B640	2	Au+Pd+Ni	1.2.3....32 a+b	2.9	NO	NO	VOID											
	36505-0006	MM-B2301-B640	3	Au+Pd+Ni	1.2.3....32 a+b	2.9	NO	NO	VOID											
	36505-0007	MM-B2401-B610	1	Au+Ni	1.2.3....32 a+b	2.9	YES	NO	ACTIVE											
	36505-0008	MM-B2501-B610	2	Au+Ni	1.2.3....32 a+b	2.9	YES	NO	ACTIVE											
K	36505-0009	MM-B2601-B610	3	Au+Ni	1.2.3....32 a+b	2.9	YES	NO	ACTIVE											
	36505-0010	MM-B2101-B610	1	Au+Pd+Ni	1.2.3....32 a+b	2.9	YES	NO	VOID											
	36505-0011	MM-B2201-B610	2	Au+Pd+Ni	1.2.3....32 a+b	2.9	YES	NO	VOID											
	36505-0012	MM-B2301-B610	3	Au+Pd+Ni	1.2.3....32 a+b	2.9	YES	NO	VOID											
J	36505-0013	MM-B2401-B640-133	1	Au+Ni	1.2.3....32 a+b	2.9	NO	YES	ACTIVE											
	36505-0014	MM-B2501-B640-133	2	Au+Ni	1.2.3....32 a+b	2.9	NO	YES	ACTIVE											
	36505-0015	MM-B2601-B640-133	3	Au+Ni	1.2.3....32 a+b	2.9	NO	YES	ACTIVE											
	36505-0016	MM-B2101-B640-133	1	Au+Pd+Ni	1.2.3....32 a+b	2.9	NO	YES	VOID											
	36505-0017	MM-B2201-B640-133	2	Au+Pd+Ni	1.2.3....32 a+b	2.9	NO	YES	VOID											
I	36505-0018	MM-B2301-B640-133	3	Au+Pd+Ni	1.2.3....32 a+b	2.9	NO	YES	VOID											
	36505-0019	MM-B2401-B610-133	1	Au+Ni	1.2.3....32 a+b	2.9	YES	YES	ACTIVE											
	36505-0020	MM-B2501-B610-133	2	Au+Ni	1.2.3....32 a+b	2.9	YES	YES	ACTIVE											
	36505-0021	MM-B2601-B610-133	3	Au+Ni	1.2.3....32 a+b	2.9	YES	YES	ACTIVE											
H	36505-0022	MM-B2101-B610-133	1	Au+Pd+Ni	1.2.3....32 a+b	2.9	YES	YES	VOID											
	36505-0023	MM-B2201-B610-133	2	Au+Pd+Ni	1.2.3....32 a+b	2.9	YES	YES	VOID											
	36505-0024	MM-B2301-B610-133	3	Au+Pd+Ni	1.2.3....32 a+b	2.9	YES	YES	VOID											
	36505-0025	MM-B2402-B640	1	Au+Ni	1.2.3....32 a+b	4.5	NO	NO	ACTIVE											
	36505-0026	MM-B2502-B640	2	Au+Ni	1.2.3....32 a+b	4.5	NO	NO	ACTIVE											
G	36505-0027	MM-B2602-B640	3	Au+Ni	1.2.3....32 a+b	4.5	NO	NO	ACTIVE											
	36505-0028	MM-B2102-B640	1	Au+Pd+Ni	1.2.3....32 a+b	4.5	NO	NO	VOID											
	36505-0029	MM-B2202-B640	2	Au+Pd+Ni	1.2.3....32 a+b	4.5	NO	NO	VOID											
	36505-0030	MM-B2302-B640	3	Au+Pd+Ni	1.2.3....32 a+b	4.5	NO	NO	VOID											
F	36505-0031	MM-B2402-B610	1	Au+Ni	1.2.3....32 a+b	4.5	YES	NO	ACTIVE											
	36505-0032	MM-B2502-B610	2	Au+Ni	1.2.3....32 a+b	4.5	YES	NO	ACTIVE											
	36505-0033	MM-B2602-B610	3	Au+Ni	1.2.3....32 a+b	4.5	YES	NO	ACTIVE											
	36505-0034	MM-B2102-B610	1	Au+Pd+Ni	1.2.3....32 a+b	4.5	YES	NO	VOID											
	36505-0035	MM-B2202-B610	2	Au+Pd+Ni	1.2.3....32 a+b	4.5	YES	NO	VOID											
E	36505-0036	MM-B2302-B610	3	Au+Pd+Ni	1.2.3....32 a+b	4.5	YES	NO	VOID											
	36505-0037	MM-B2402-B640-133	1	Au+Ni	1.2.3....32 a+b	4.5	NO	YES	ACTIVE											
	36505-0038	MM-B2502-B640-133	2	Au+Ni	1.2.3....32 a+b	4.5	NO	YES	ACTIVE											
	36505-0039	MM-B2602-B640-133	3	Au+Ni	1.2.3....32 a+b	4.5	NO	YES	ACTIVE											
D	36505-0040	MM-B2102-B640-133	1	Au+Pd+Ni	1.2.3....32 a+b	4.5	NO	YES	VOID											
	36505-0041	MM-B2202-B640-133	2	Au+Pd+Ni	1.2.3....32 a+b	4.5	NO	YES	VOID											
	36505-0042	MM-B2302-B640-133	3	Au+Pd+Ni	1.2.3....32 a+b	4.5	NO	YES	VOID											
	36505-0043	MM-B2402-B610-133	1	Au+Ni	1.2.3....32 a+b	4.5	YES	YES	ACTIVE											
C	36505-0044	MM-B2502-B610-133	2	Au+Ni	1.2.3....32 a+b	4.5	YES	YES	ACTIVE											
	36505-0045	MM-B2602-B610-133	3	Au+Ni	1.2.3....32 a+b	4.5	YES	YES	ACTIVE											
	36505-0046	MM-B2102-B610-133	1	Au+Pd+Ni	1.2.3....32 a+b	4.5	YES	YES	VOID											
	36505-0047	MM-B2202-B610-133	2	Au+Pd+Ni	1.2.3....32 a+b	4.5	YES	YES	VOID											
	36505-0048	MM-B2302-B610-133	3	Au+Pd+Ni	1.2.3....32 a+b	4.5	YES	YES	VOID											

RoHS COMPLIANT

ENTER DESCRIPTION ELC INC. 1207 2004 DRWNGSATTI/MARAD 2006/10/10 CHKD/SSUDHIR 2006/10/11 APPR/SSUDHIR 2006/10/16 REV	QUALITY SYMBOLS ▽=0 ▽=0	GENERAL TOLERANCES (UNLESS SPECIFIED) <table border="1"> <tr> <th></th> <th>mm</th> <th>INCH</th> </tr> <tr> <td>4 PLACES</td> <td>± .005</td> <td>± .0004</td> </tr> <tr> <td>3 PLACES</td> <td>± .005</td> <td>± .0004</td> </tr> <tr> <td>2 PLACES</td> <td>± .005</td> <td>± .0004</td> </tr> <tr> <td>1 PLACE</td> <td>± .005</td> <td>± .0004</td> </tr> <tr> <td colspan="3">ANGULAR ± .005°</td> </tr> </table>		mm	INCH	4 PLACES	± .005	± .0004	3 PLACES	± .005	± .0004	2 PLACES	± .005	± .0004	1 PLACE	± .005	± .0004	ANGULAR ± .005°			DIMENSION STYLE MM ONLY	SCALE ---	DESIGN UNITS METRIC	<input checked="" type="checkbox"/> THIRD ANGLE PROJECTION
		mm	INCH																					
	4 PLACES	± .005	± .0004																					
	3 PLACES	± .005	± .0004																					
2 PLACES	± .005	± .0004																						
1 PLACE	± .005	± .0004																						
ANGULAR ± .005°																								
DRAFT WHERE APPLICABLE MUST REMAIN WITHIN DIMENSIONS		DRAWN BY SSUDHIR	DATE 2005/12/13	TITLE ASSEMBLY DIN 41612 64POS B FEMALE																				
		CHECKED BY XPRASAD	DATE 2005/12/13	MOLEX INCORPORATED																				
		APPROVED BY XPRASAD	DATE 2005/12/13	MATERIAL NO. SEE CHART	DOCUMENT NO. SD-36505-0001	SHEET NO. 2 OF 2																		
THIS DRAWING CONTAINS INFORMATION THAT IS PROPRIETARY TO MOLEX INCORPORATED AND SHOULD NOT BE USED WITHOUT WRITTEN PERMISSION																								