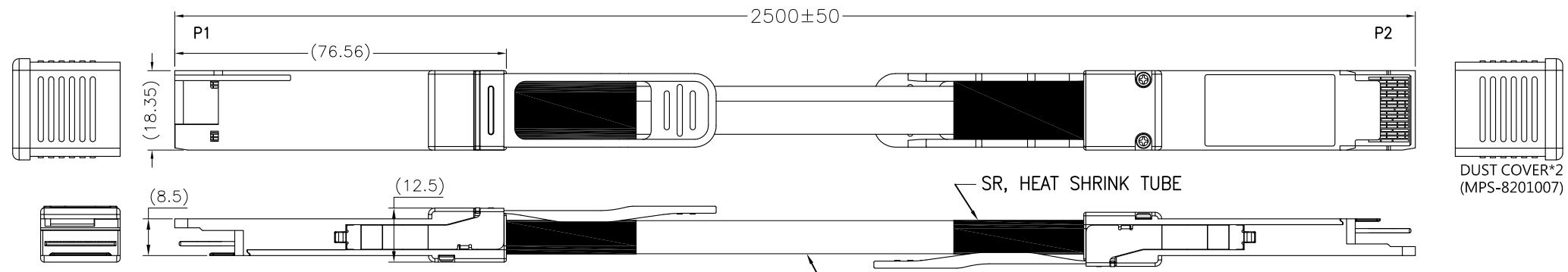


1	2	3	4	5	6	7	8	9
REV.	REMARK	DATE	SIGN.					

RoHS



2*MADISON 28AWG, 8 PAIRS, 25G
P/N: 16PD2LF019

MATERIAL ROHS COMPLIANT:

1.CABLE:
 CONDUCTOR: 28AWG SOLID SILVER PLATED COPPER.
 INSULATION: FOAM POLYOLEFIN.
 PAIR: 2 SINGLES LAID FLAT AND PARALLEL.
 CORE: 8 PAIRS
 PAIR DRAIN WIRE: 28AWG SOLID TIN PLATED COPPER.
 PAIR SHIELD: METALLIC TAPE
 INNER SHIELD: ALUMINUM/POLYESTER TAPE, ALUMINUM SIDE FACING OUT, 25% OVERLAP.
 OUTER SHIELD: 38AWG TIN PLATED COPPER BRAID, 85% COVERAGE.
 JACKET: FLEXIBLE PVC, COLOR-BLACK.
 DIAMETER: 7.50±0.25mm
 PRINT LEGEND: "MADISON CABLE {Mfg. Location Code} AWM STYLE 20276 80°C 30V
 VW-1 28AWG TurboTwin™ 25G 104-2843 SUBSTANCE COMPLIANT 2011/65/EU {D/C}"
 DIFFERENTIAL IMPEDANCE: 100±5 OHMS @TDR
 UL LISTING: STYLE 20276 VW-1 AS SPECIFIED IN ARTICLE 725 OF THE NATIONAL ELECTRICAL CODE.

2.CONNECTOR:
 P1,P2: QSFP-DD CABLE PLUG
 (1) P.C.B: 8 LAYERS, GOLD PLATING ON CONTACT PADS.(SPCB-080004A)
 (2) LATCH: STAINLESS STEEL WITH PULL TAB, COLOR: BLUE.
 (3) BACKSHELL: ZINC DIE CASTING HOOD/ NICKEL PLATING.
 3.TWO-WIRE SERIAL MEMORY: ATMEL AT24C02D EEPROM(256 BYTES),
 DIGITAL MONITORING, CONTROL FUNCTION AND MEMORY PAGE NOT SUPPORTED.
 4.EEPROM NEED TO BE PROGRAMED.

UNICONN CORPORATION 科懋實業有限公司	DESC.	QSFP-DD Passive Cable Assembly	APPROVED	CHECKED	DESIGNED	TOLERANCE	SCALE	*	UNIT	mm	
	P/N	UASS-RC009178	CUSTOMER P/N		Sino		DATE	12/10/'19	DWG NO:	DWG\RC\9178	

1	2	3	4	5	6	7	8	9
---	---	---	---	---	---	---	---	---

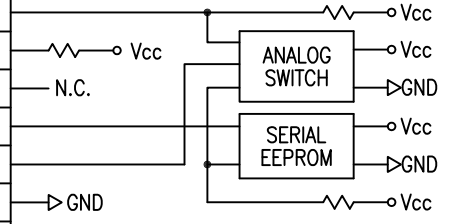
1	2	3	4	5	6	7	8	9
REV.	REMARK	DATE	SIGN.					

WIRING DIAGRAM

HIGH SPEED SIGNAL			
P1(QSFP-DD)		P2(QSFP-DD)	
PAD	SIGNAL	PAD	SIGNAL
2	TX2n	21	RX2n
3	TX2p	22	RX2p
5	TX4n	24	RX4n
6	TX4p	25	RX4p
14	RX3p	33	TX3p
15	RX3n	34	TX3n
17	RX1p	36	TX1p
18	RX1n	37	TX1n
21	RX2n	2	TX2n
22	RX2p	3	TX2p
24	RX4n	5	TX4n
25	RX4p	6	TX4p
33	TX3p	14	RX3p
34	TX3n	15	RX3n
36	TX1p	17	RX1p
37	TX1n	18	RX1n
GND GROUP	GND	GND GROUP	GND
GND GROUP 01,04,07,13,16,19 20,23,26,32,35,38 39,42,45,51,54,57 58,61,64,70,73,76		GND GROUP 01,04,07,13,16,19 20,23,26,32,35,38 39,42,45,51,54,57 58,61,64,70,73,76	
CONNECTOR SHELL		CONNECTOR SHELL	

HIGH SPEED SIGNAL			
P1(QSFP-DD)		P2(QSFP-DD)	
PAD	SIGNAL	PAD	SIGNAL
40	TX6n	59	RX6n
41	TX6p	60	RX6p
43	TX8n	62	RX8n
44	TX8p	63	RX8p
52	RX7p	71	TX7p
53	RX7n	72	TX7n
55	RX5p	74	TX5p
56	RX5n	75	TX5n
59	RX6n	40	TX6n
60	RX6p	41	TX6p
62	RX8n	43	TX8n
63	RX8p	44	TX8p
71	TX7p	52	RX7p
72	TX7n	53	RX7n
74	TX5p	55	RX5p
75	TX5n	56	RX5n
GND GROUP	GND	GND GROUP	GND
GND GROUP 01,04,07,13,16,19 20,23,26,32,35,38 39,42,45,51,54,57 58,61,64,70,73,76		GND GROUP 01,04,07,13,16,19 20,23,26,32,35,38 39,42,45,51,54,57 58,61,64,70,73,76	
CONNECTOR SHELL		CONNECTOR SHELL	

LOW SPEED SIGNAL & POWER		P1,P2(QSFP-DD)	
PAD	SIGNAL		
8	ModSelL	○ Vcc	
9	ResetL	○ Vcc	
10	VccRx	N.C.	
11	SCL		○ Vcc
12	SDA		▷ GND
27	ModPrsL	▷ GND	
28	IntL	○ Vcc	
29	VccTx	N.C.	
30	Vcc1	○ Vcc	
31	InitMode	○ Vcc	
46	Reserved	N.C.	
47	VS1	N.C.	
48	VccRx1	N.C.	
49	VS2	N.C.	
50	VS3	N.C.	
65	NC	N.C.	
66	Reserved	N.C.	
67	VccTx1	N.C.	
68	Vcc2	N.C.	
69	Reserved	N.C.	



*DC BLOCKING CAPS ON P1,P2 RX END.

UNICONN CORPORATION 科懋實業有限公司	DESC.	QSFP-DD Passive Cable Assembly			APPROVED	CHECKED	DESIGNED	TOLERANCE	SCALE	*	UNIT	mm	
	P/N	UASS-RC009178	CUSTOMER P/N				Sino		DATE	12/10/'19	DWG NO:	DWG\RC\9178	

1	2	3	4	5	6	7	8	9
---	---	---	---	---	---	---	---	---