

**MATERIALS AND FINISHES**

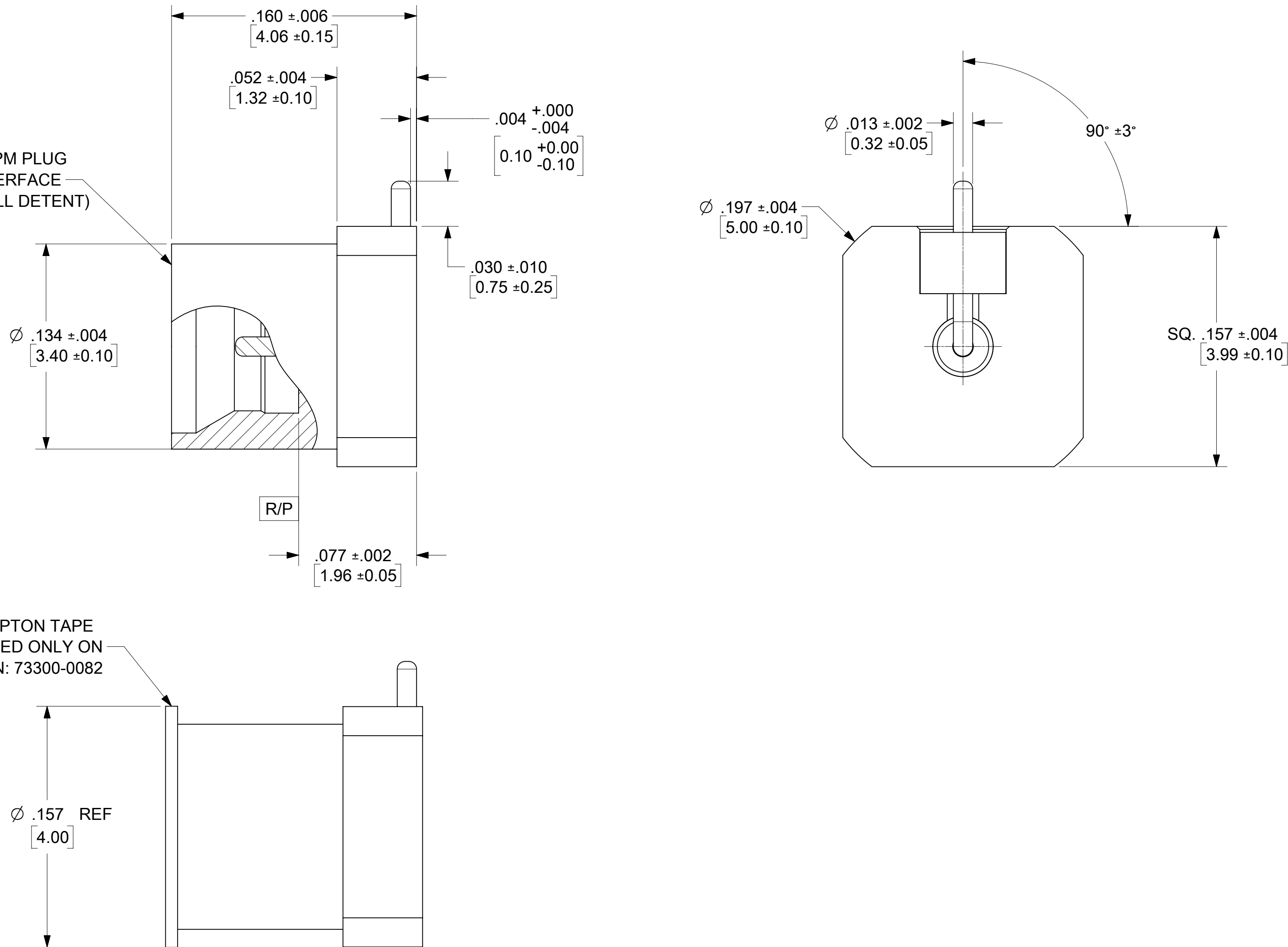
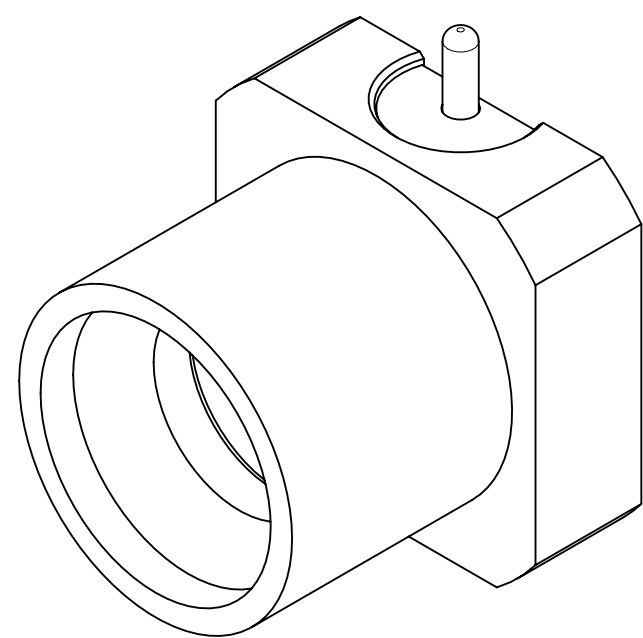
**BODY: BRASS**  
**PLATED GOLD (5μ-in MIN) OVER**  
**NICKEL (80μ-in MIN)**

**CONTACT: BERYLLIUM COPPER**  
**PLATED GOLD (5μ-in MIN) OVER**  
**NICKEL (80μ-in MIN)**

**INSULATOR: ULTEM**

SMPM PLUG  
 INTERFACE  
 (FULL DETENT)

KAPTON TAPE  
 USED ONLY ON  
 P/N: 73300-0082



LABEL WITH EACH BAG  
 FOR 73300-0083

MOLEX P/N: 73300-0083  
 DATE: YYWW

73300-0083	73300-0080 ONE PER BAG
73300-0082	73300-0080 T & R W/KAPTON TAPE (1200 PCS PER REEL)
73300-0081	73300-0080 TAPE AND REEL (1200 PCS PER REEL)
73300-0080	SMPM PLUG FD INTERFACE (TRAY 80 CAVITY)
PART NO.	PACKAGING

MIL-STD-348, FIG. 328-2	INTERFACE			
SPECIFICATION	DESCRIPTION			
DOCUMENT STATUS	P1	RELEASE DATE	2021/04/21	06:23:47

THIS DRAWING CONTAINS INFORMATION THAT IS PROPRIETARY TO MOLEX ELECTRONIC TECHNOLOGIES, LLC AND SHOULD NOT BE USED WITHOUT WRITTEN PERMISSION

DIMENSION UNITS <b>INCH/MM</b>	SCALE <b>NTS</b>	CURRENT REV DESC: ADD LABEL FOR 73300-0083 PER EWR #14242-H		
GENERAL TOLERANCES (UNLESS SPECIFIED)		EC NO: 660983 DRWN: RYEH 2021/03/25 CHK'D: YCHENG 2021/04/21 APPR: YCHENG 2021/04/21 INITIAL REVISION: DRWN: JLEE 2010/10/29 APPR: JWIENER 2010/11/18		
	MM INCH			
4 PLACES ±	±			
3 PLACES ±	±			
2 PLACES ±	±			
1 PLACE ±	±	ANGULAR TOL ± °		
0 PLACES ±	±	DRAFT WHERE APPLICABLE MUST REMAIN WITHIN DIMENSIONS		
THIRD ANGLE PROJECTION		DRAWING C-SIZE	SERIES 73300	DOCUMENT NUMBER SD-73300-008
		CUSTOMER		SHEET NUMBER 1 OF 7

**molex**

SMPM PLUG, PCB VERTICAL  
 50 OHM FULL DETENT EWR-11427, SMPM-PCB

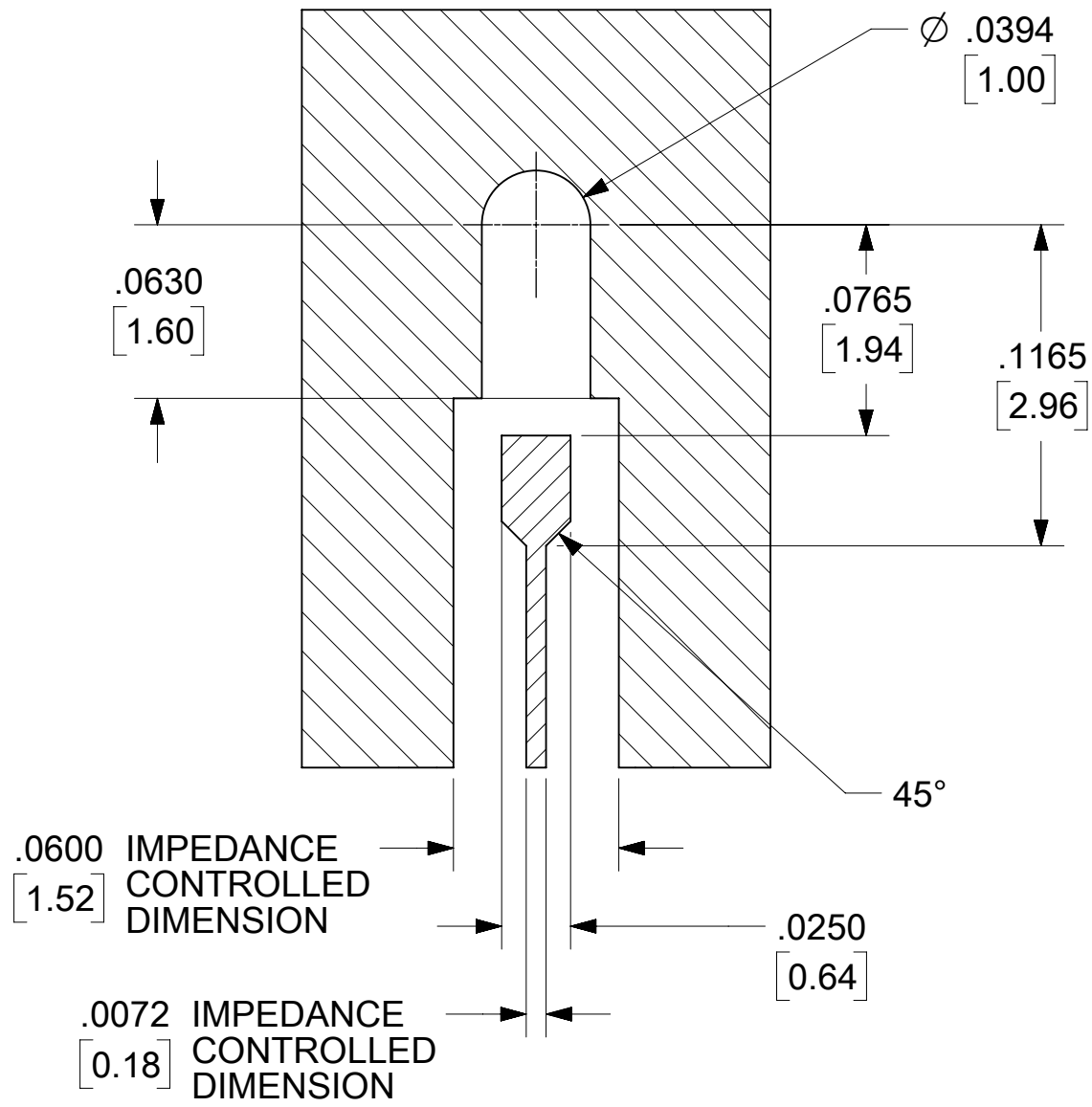
PRODUCT CUSTOMER DRAWING

DOCUMENT NUMBER: SD-73300-008 | DOC TYPE: PSD | DOC PART: 001 | REVISION: B6

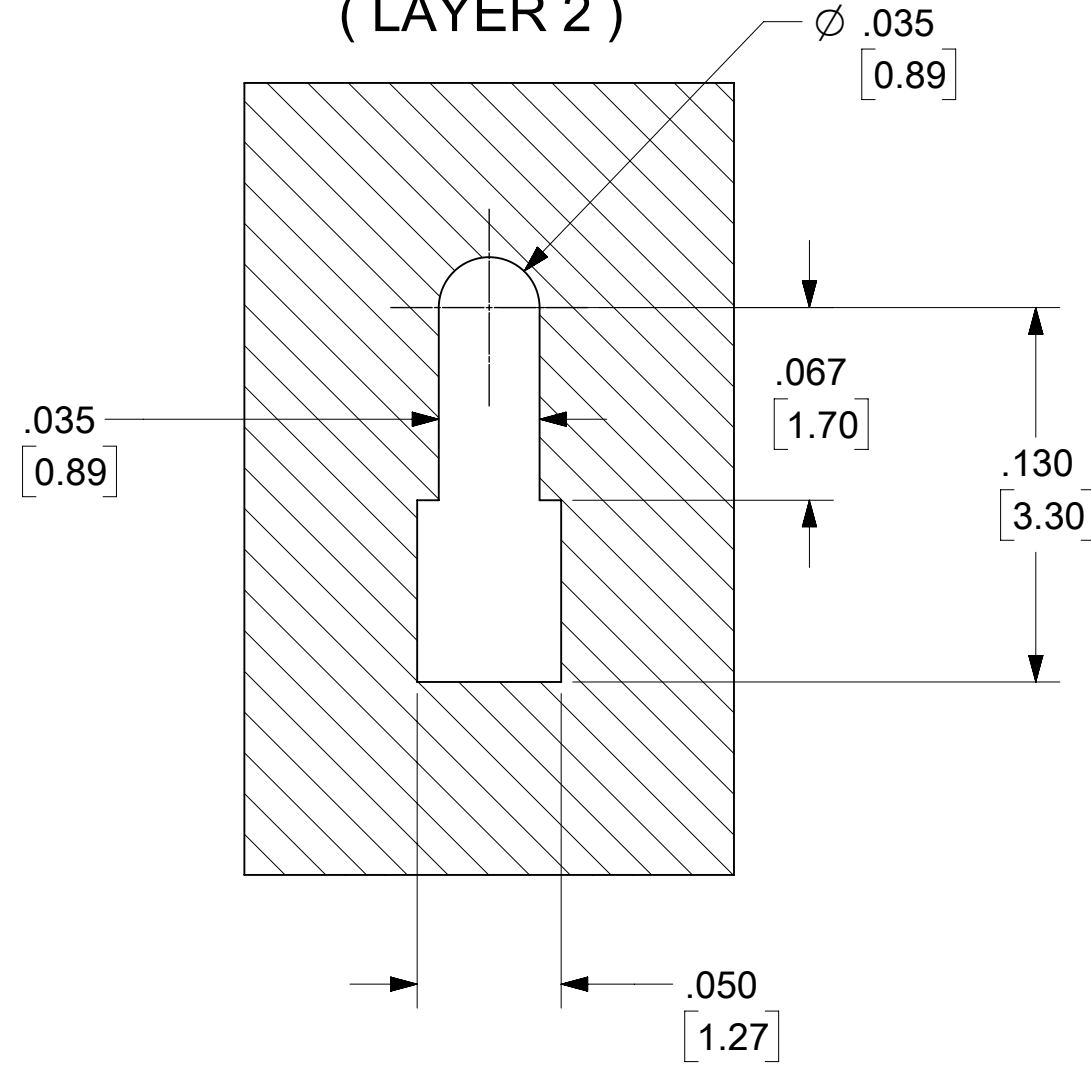
# PCB CONNECTOR LAUNCH / PAD (FOR REFERENCE ONLY)

ALL HATCHED SURFACES SHOWN BELOW ARE COPPER (Cu)

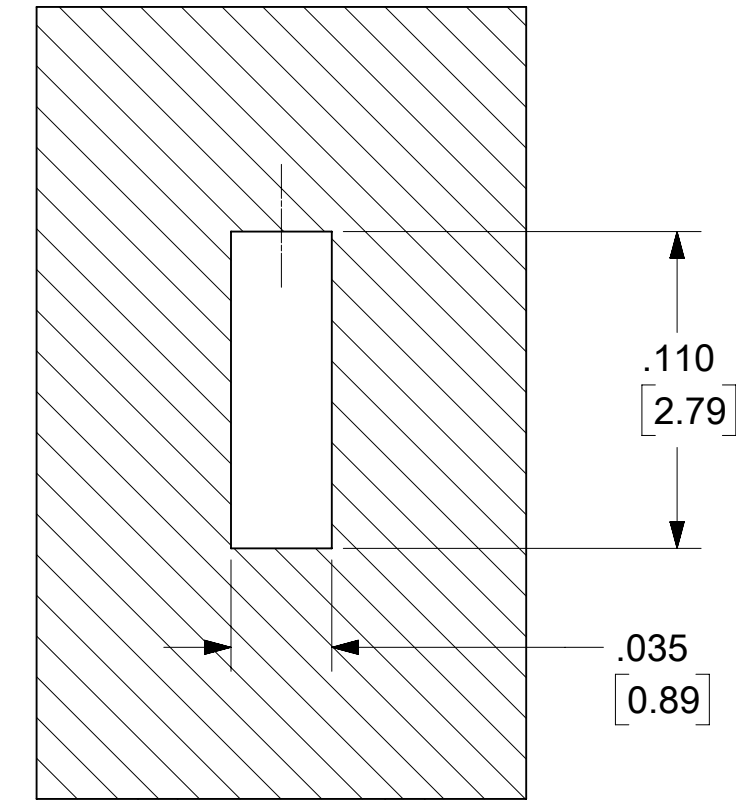
## SIGNAL AND MOUNTING LAYER (LAYER 1)



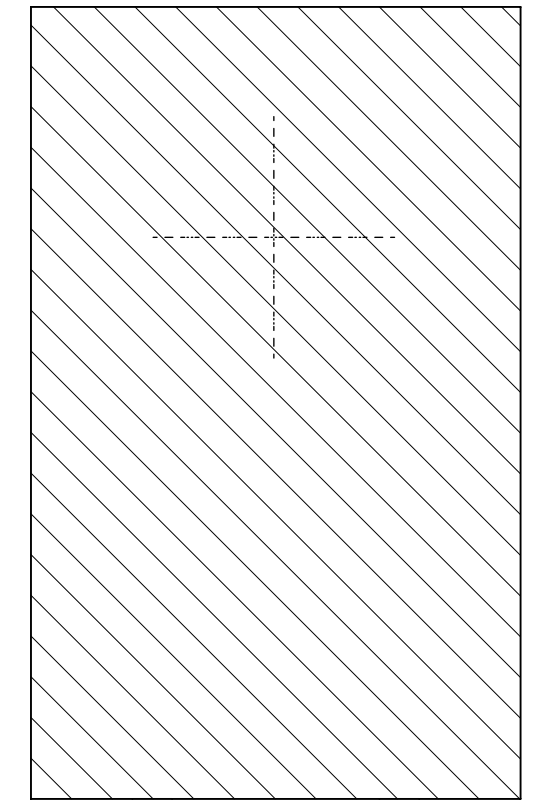
## REFERENCE LAYER (LAYER 2)



## (LAYER 3)



## SUBSEQUENT LAYERS

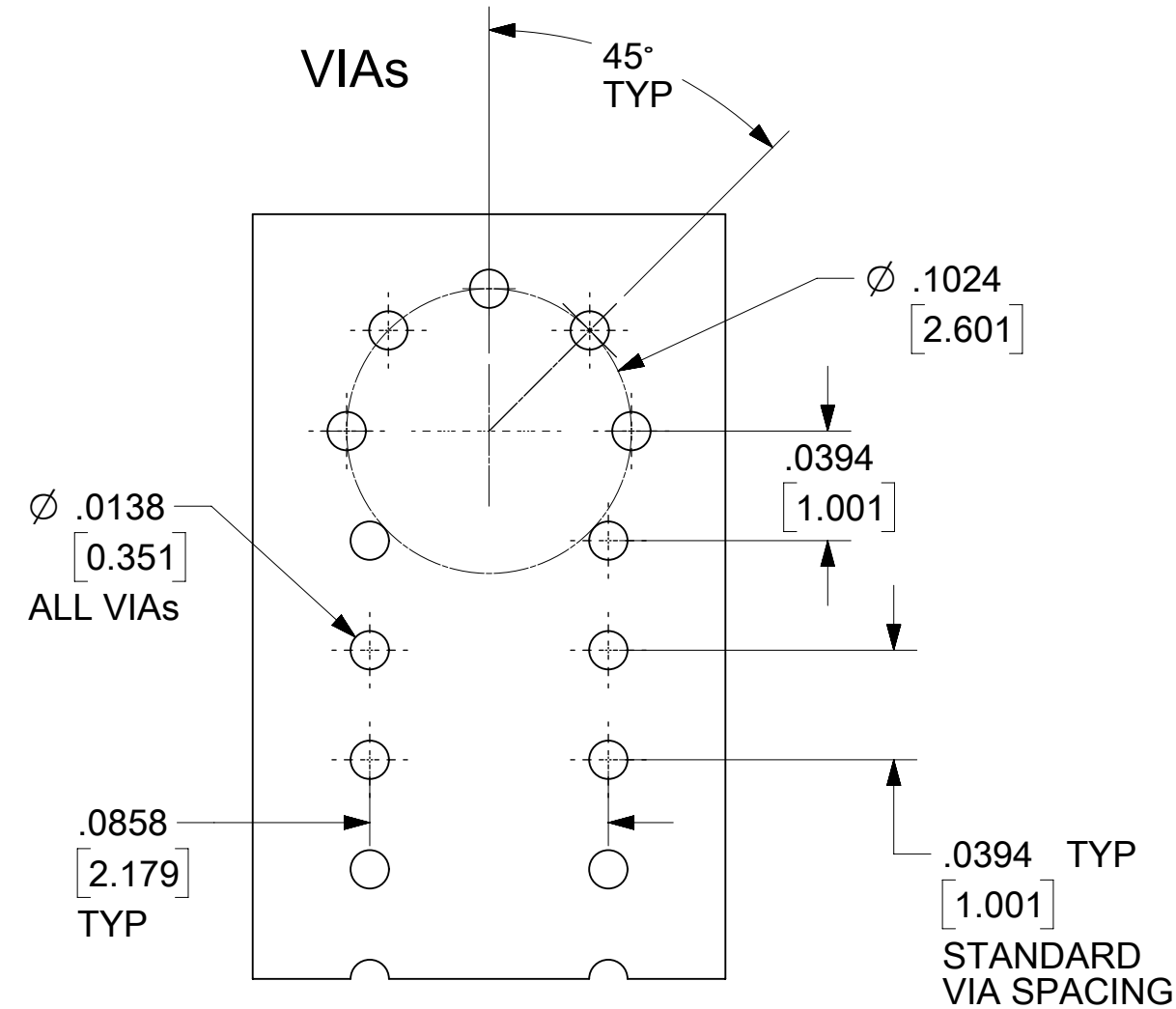


## PCB STACK UP

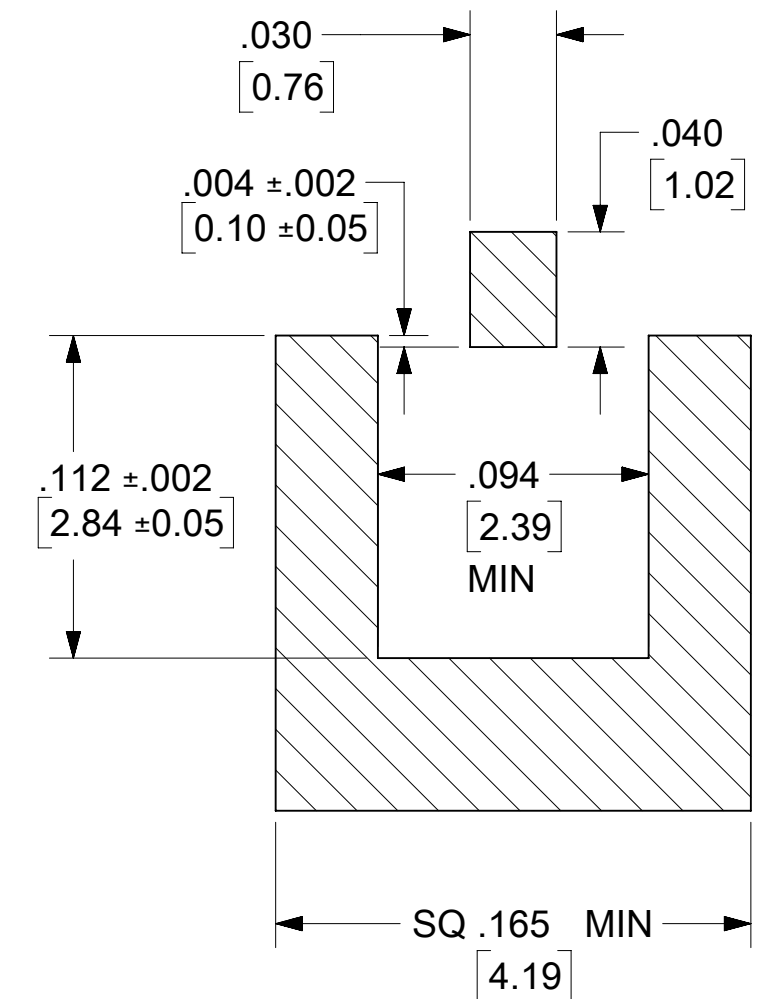
LAYER	MATERIAL	Dk	THICKNESS (mil)
1	1/2 oz. Cu + PLATING		2.1
	MEGTRON 6	3.7	4.0
2	1/2 oz. Cu		0.7
	MEGTRON 6	3.7	4.0
3	1/2 oz. Cu		0.7
	MEGTRON 6	3.7	4.0
4*	1/2 oz. Cu		0.7

\* SUBSEQUENT LAYERS MAY BE ADDED AS REQUIRED FOR INDIVIDUAL APPLICATIONS

## VIAS



## SOLDER MASK



## TYPICAL PERFORMANCE CHARACTERISTICS WITH CONNECTOR AND PCB LAUNCH SHOWN

VSWR (FULLY MATED)	FREQUENCY BAND
1.35	DC TO 18 GHz

VARYING PCB STACKUPS AND PCB LAUNCH WILL RESULT IN VARYING RESULTS CONTACT MOLEX RF / MICROWAVE FOR APPLICATION SPECIFIC ASSISTANCE

THIS DRAWING CONTAINS INFORMATION THAT IS PROPRIETARY TO MOLEX ELECTRONIC TECHNOLOGIES, LLC AND SHOULD NOT BE USED WITHOUT WRITTEN PERMISSION

DIMENSION UNITS		SCALE		CURRENT REV DESC: ADD LABEL FOR 73300-0083 PER EWR #14242-H	
INCH/MM		NTS			
GENERAL TOLERANCES (UNLESS SPECIFIED)					
	MM	INCH			
4 PLACES	±	±			
3 PLACES	±	±			
2 PLACES	±	±			
1 PLACE	±	±			
0 PLACES	±	±			
ANGULAR TOL	±	°			
DRAFT WHERE APPLICABLE MUST REMAIN WITHIN DIMENSIONS			THIRD ANGLE PROJECTION		
EC NO: 660983		DRWN: RYEH		2021/03/25	
CHK'D: YCHENG		APPR: YCHENG		2021/04/21	
INITIAL REVISION:		DRWN: JLEE		2010/10/29	
APPR: JWIENER				2010/11/18	
SERIES		DRAWING		MATERIAL NUMBER	
73300		C-SIZE		733000080	
CUSTOMER		DOC TYPE		DOC PART	
733000080		PSD		001	
SHEET NUMBER		REVISION			
2 OF 7		B6			

**molex**

SMPM PLUG, PCB VERTICAL  
50 OHM FULL DETENT EWR-11427, SMPM-PCB

PRODUCT CUSTOMER DRAWING

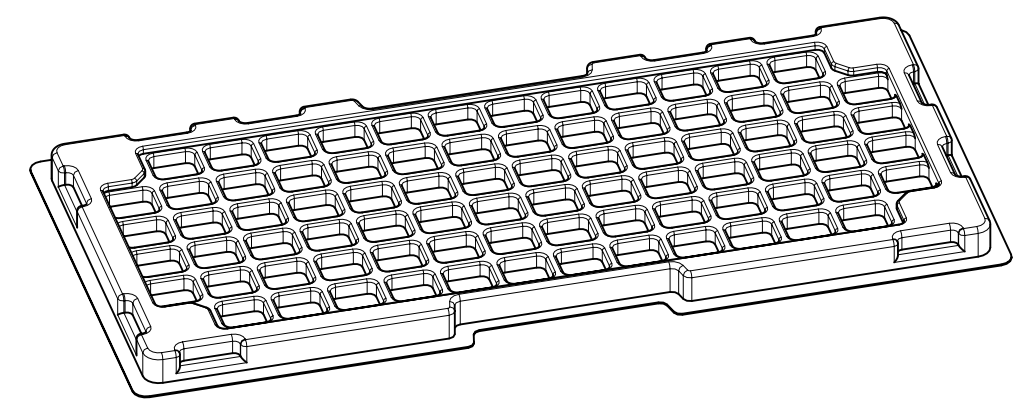
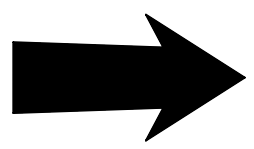
DOCUMENT NUMBER DOC TYPE DOC PART REVISION

SD-73300-008 PSD 001 B6

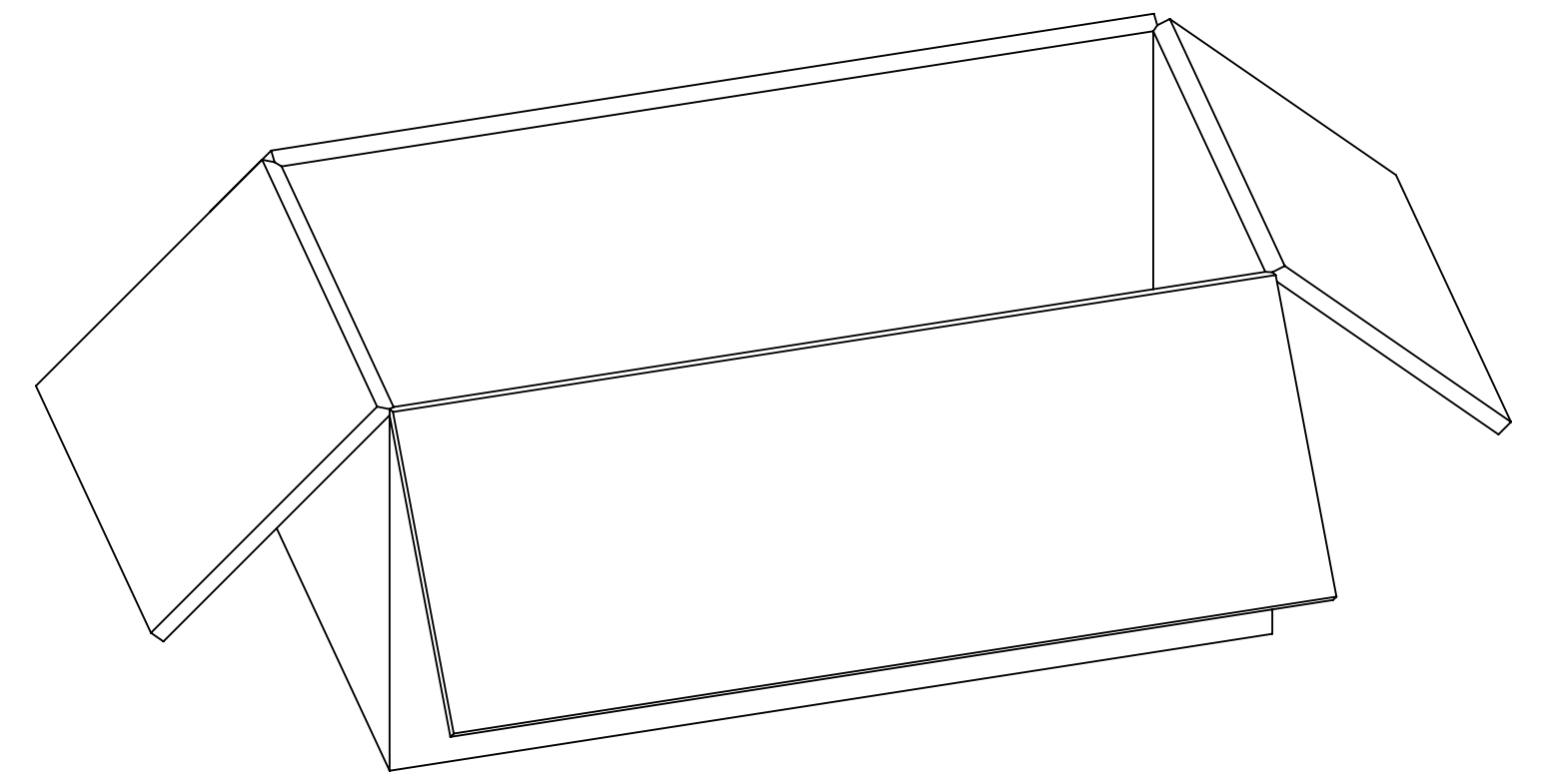
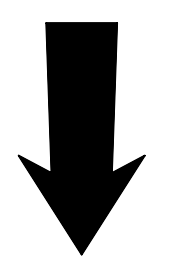
MATERIAL NUMBER CUSTOMER SHEET NUMBER

733000080 2 OF 7

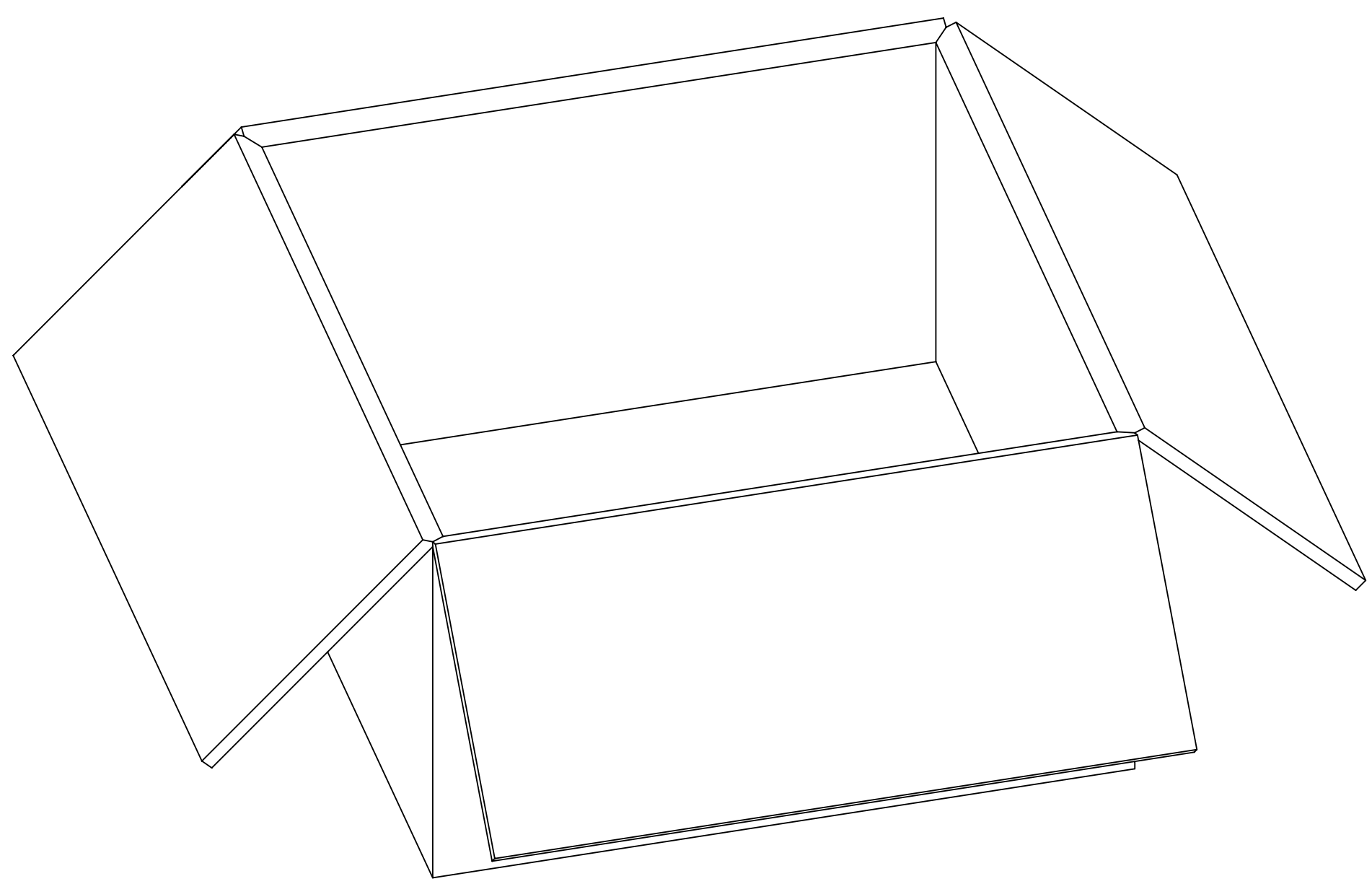
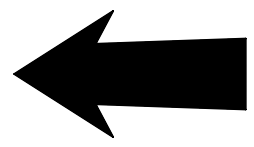
  
P/N: 73300-0080



80 SETS PER TRAY  
P/N: 89707-0190



1600 SETS PER  
INNER CARTON BOX  
P/N: 96707-0001



3200 SETS PER  
OUTER CARTON BOX  
P/N: 96708-0005

THIS DRAWING CONTAINS INFORMATION THAT IS PROPRIETARY TO MOLEX ELECTRONIC TECHNOLOGIES, LLC AND SHOULD NOT BE USED WITHOUT WRITTEN PERMISSION										
DIMENSION UNITS <b>INCH/MM</b>		SCALE <b>NTS</b>		CURRENT REV DESC: ADD LABEL FOR 73300-0083 PER EWR #14242-H			<b>molex</b>			
GENERAL TOLERANCES (UNLESS SPECIFIED)				EC NO: 660983						SMPM PLUG, PCB VERTICAL 50 OHM FULL DETENT EWR-11427, SMPM-PCB
	MM	INCH		DRWN: RYEH 2021/03/25			PRODUCT CUSTOMER DRAWING			
4 PLACES	±	±		CHK'D: YCHENG 2021/04/21			DOCUMENT NUMBER			
3 PLACES	±	±		APPR: YCHENG 2021/04/21			SD-73300-008			
2 PLACES	±	±		INITIAL REVISION:			DOC TYPE			
1 PLACE	±	±		DRWN: JLEE 2010/10/29			PSD			
0 PLACES	±	±		APPR: JWIENER 2010/11/18			DOC PART			
ANGULAR TOL	±	°		THIRD ANGLE PROJECTION			REVISION			
DRAFT WHERE APPLICABLE MUST REMAIN WITHIN DIMENSIONS				DRAWING C-SIZE		SERIES 73300		MATERIAL NUMBER 733000080		CUSTOMER
				SHEET NUMBER 3 OF 7						

∅ .059 REF  
[1.50]  
TYP

.157 REF  
[4.00]  
TYP

.472 REF  
[12.00]  
TYP

.079 REF  
[2.00]  
TYP

.069 REF  
[1.75]  
TYP

.295 REF  
[7.50]  
TYP

.630 REF  
[16.00]

**VIEWS FOR P/N: 73300-0081 & -0082**

P/N: 73300-0080  
SMPM PLUG ASSEMBLY

THIS DRAWING CONTAINS INFORMATION THAT IS PROPRIETARY TO MOLEX ELECTRONIC TECHNOLOGIES, LLC AND SHOULD NOT BE USED WITHOUT WRITTEN PERMISSION

DIMENSION UNITS: INCH/MM  
SCALE: NTS

CURRENT REV DESC: ADD LABEL FOR 73300-0083 PER EWR #14242-H

GENERAL TOLERANCES (UNLESS SPECIFIED)

	MM	INCH
4 PLACES ±		±
3 PLACES ±		±
2 PLACES ±		±
1 PLACE ±		±
0 PLACES ±		±
ANGULAR TOL ±		°

EC NO: 660983  
 DRWN: RYEH 2021/03/25  
 CHK'D: YCHENG 2021/04/21  
 APPR: YCHENG 2021/04/21  
 INITIAL REVISION:  
 DRWN: JLEE 2010/10/29  
 APPR: JWIENER 2010/11/18

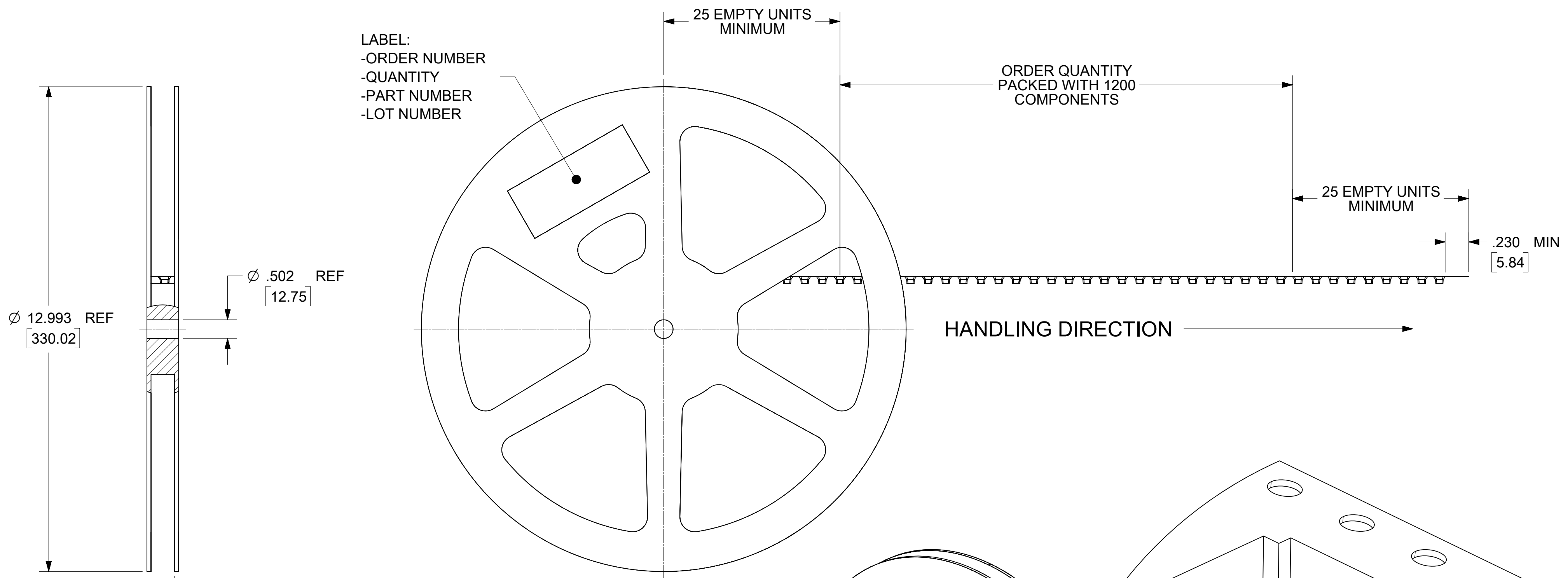
**molex**

SMPM PLUG, PCB VERTICAL  
50 OHM FULL DETENT EWR-11427, SMPM-PCB

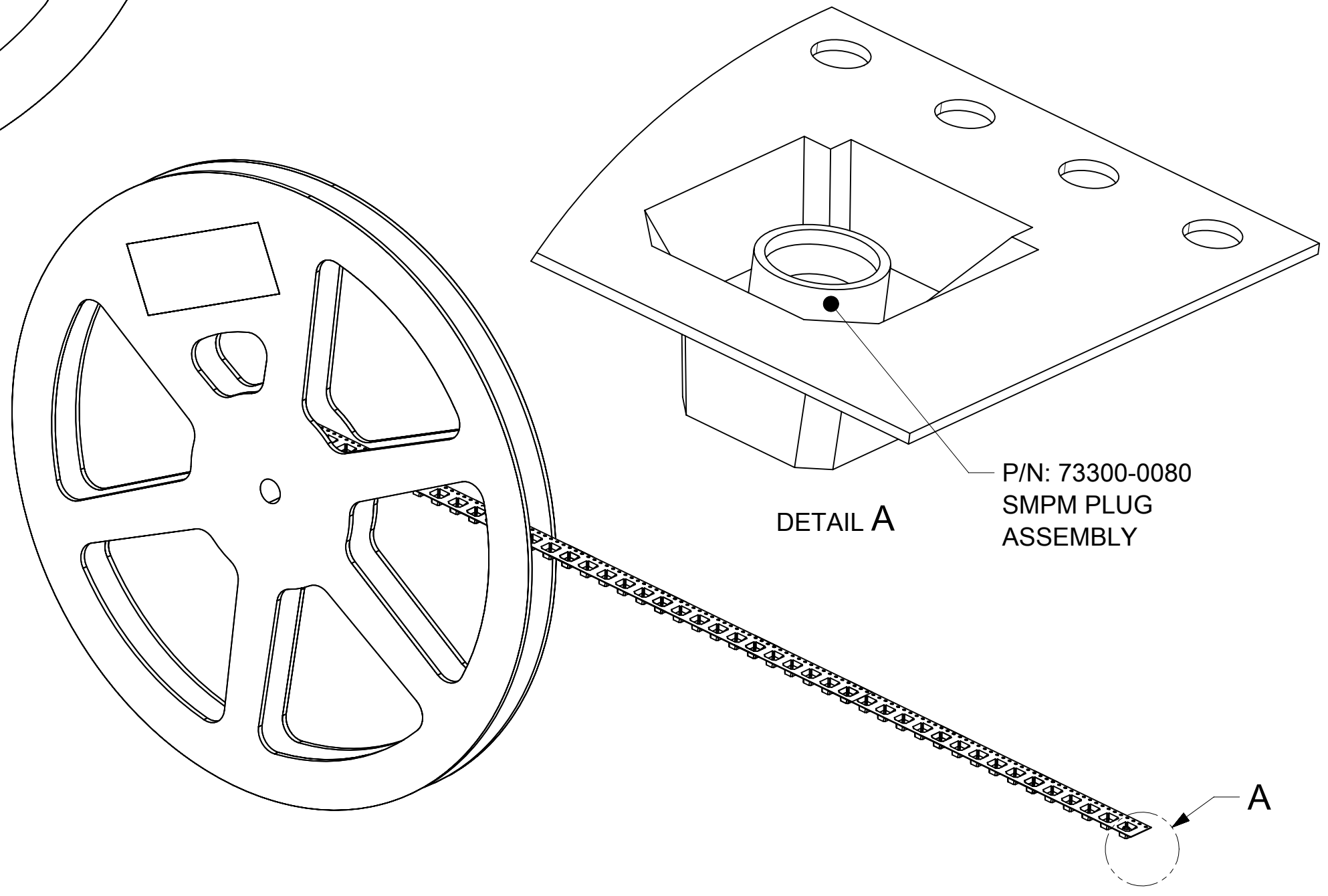
PRODUCT CUSTOMER DRAWING

DOCUMENT NUMBER	DOC TYPE	DOC PART	REVISION
<b>SD-73300-008</b>	PSD	001	<b>B6</b>
MATERIAL NUMBER	CUSTOMER	SHEET NUMBER	
733000080		4 OF 7	

LABEL:  
 -ORDER NUMBER  
 -QUANTITY  
 -PART NUMBER  
 -LOT NUMBER



**VIEWS FOR P/N: 73300-0081 & -0082**



THIS DRAWING CONTAINS INFORMATION THAT IS PROPRIETARY TO MOLEX ELECTRONIC TECHNOLOGIES, LLC AND SHOULD NOT BE USED WITHOUT WRITTEN PERMISSION																							
DIMENSION UNITS <b>INCH/MM</b>		SCALE <b>NTS</b>		CURRENT REV DESC: ADD LABEL FOR 73300-0083 PER EWR #14242-H						<b>molex</b>		SMPM PLUG, PCB VERTICAL 50 OHM FULL DETENT EWR-11427, SMPM-PCB											
GENERAL TOLERANCES (UNLESS SPECIFIED)				EC NO: 660983		DRWN: RYEH 2021/03/25		CHK'D: YCHENG 2021/04/21						APPR: YCHENG 2021/04/21									
				4 PLACES ±		3 PLACES ±		2 PLACES ±		1 PLACE ±		0 PLACES ±		INITIAL REVISION: DRWN: JLEE 2010/10/29 APPR: JWIENER 2010/11/18		DOCUMENT NUMBER <b>SD-73300-008</b>		DOC TYPE <b>PSD</b>		DOC PART <b>001</b>		REVISION <b>B6</b>	
		ANGULAR TOL ± °		THIRD ANGLE PROJECTION		DRAWING C-SIZE		SERIES 73300		MATERIAL NUMBER 733000080		CUSTOMER		SHEET NUMBER 5 OF 7									

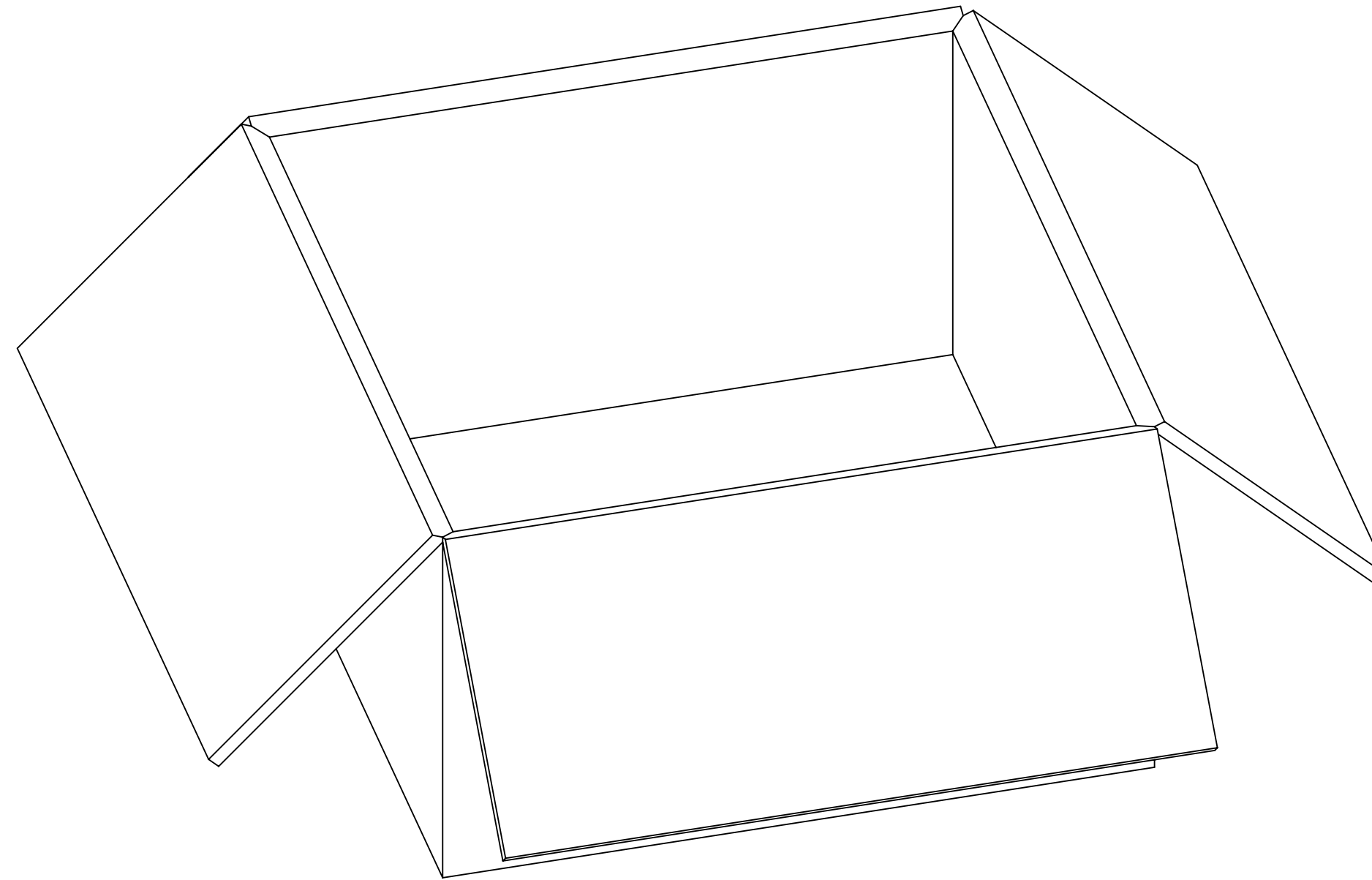
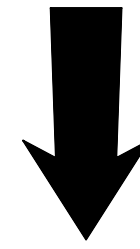
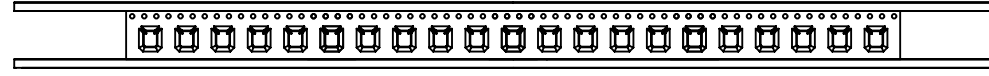
DOCUMENT STATUS	P1	RELEASE DATE	2021/04/21	06:23:47
-----------------	----	--------------	------------	----------

**P/N: 73300-0081**

**1200 X 73300-0080 PER REEL  
WITHOUT KAPTON TAPE  
REEL P/N: 89707-0234**

**P/N: 73300-0082**

**1200 X 73300-0080 PER REEL  
WITH KAPTON TAPE  
REEL P/N: 89707-0234**

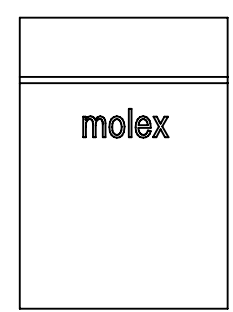
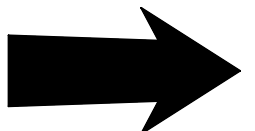


**7 REELS PER CARTON  
P/N: 89499-9031**

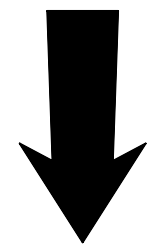
THIS DRAWING CONTAINS INFORMATION THAT IS PROPRIETARY TO MOLEX ELECTRONIC TECHNOLOGIES, LLC AND SHOULD NOT BE USED WITHOUT WRITTEN PERMISSION									
DIMENSION UNITS <b>INCH/MM</b>		SCALE <b>NTS</b>		CURRENT REV DESC: ADD LABEL FOR 73300-0083 PER EWR #14242-H			<b>molex</b>		
GENERAL TOLERANCES (UNLESS SPECIFIED)				EC NO: 660983					
	MM	INCH		DRWN: RYEH 2021/03/25			SMPM PLUG, PCB VERTICAL 50 OHM FULL DETENT EWR-11427, SMPM-PCB		
4 PLACES	±		±	CHK'D: YCHENG 2021/04/21			PRODUCT CUSTOMER DRAWING		
3 PLACES	±		±	APPR: YCHENG 2021/04/21			DOCUMENT NUMBER		
2 PLACES	±		±	INITIAL REVISION:			SD-73300-008		
1 PLACE	±		±	DRWN: JLEE 2010/10/29			DOC TYPE		
0 PLACES	±		±	APPR: JWIENER 2010/11/18			PSD		
ANGULAR TOL	±	°		DRAWING			DOC PART		
DRAFT WHERE APPLICABLE MUST REMAIN WITHIN DIMENSIONS				THIRD ANGLE PROJECTION 		DRAWING C-SIZE	SERIES 73300	REVISION	
						MATERIAL NUMBER 733000080		CUSTOMER	SHEET NUMBER 6 OF 7

DOCUMENT STATUS	P1	RELEASE DATE	2021/04/21	06:23:47
-----------------	----	--------------	------------	----------

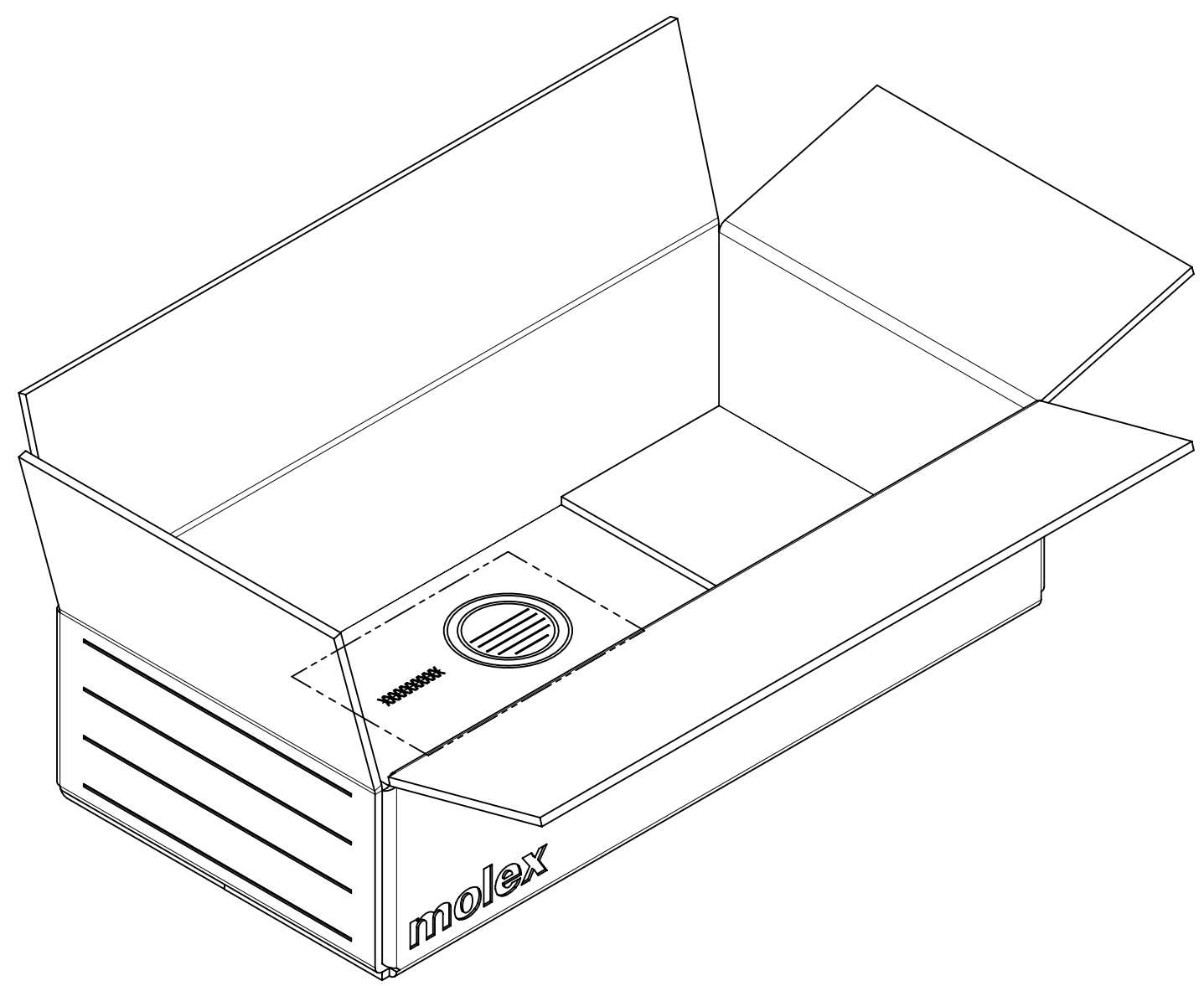
  
P/N: 73300-0080



1 SETS PER BAG  
P/N: 89707-0317

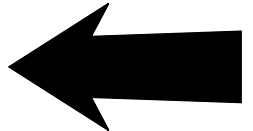


**P/N: 73300-0083**  
250 X 73300-0080 PER CARTON  
CARTON P/N: 96707-0003



250 SETS PER CARTON BOX  
P/N: 96707-0003

50 SETS PER BAG  
P/N: 89707-0174



THIS DRAWING CONTAINS INFORMATION THAT IS PROPRIETARY TO MOLEX ELECTRONIC TECHNOLOGIES, LLC AND SHOULD NOT BE USED WITHOUT WRITTEN PERMISSION										
DIMENSION UNITS <b>INCH</b>		SCALE <b>NTS</b>		CURRENT REV DESC: ADD LABEL FOR 73300-0083 PER EWR #14242-H			<b>molex</b>			
GENERAL TOLERANCES (UNLESS SPECIFIED)				EC NO: 660983						
	MM	INCH		DRWN: RYEH 2021/03/25			SMPM PLUG, PCB VERTICAL 50 OHM FULL DETENT EWR-11427, SMPM-PCB			
4 PLACES	±		±	CHK'D: YCHENG 2021/04/21			PRODUCT CUSTOMER DRAWING			
3 PLACES	±		±	APPR: YCHENG 2021/04/21			DOCUMENT NUMBER			
2 PLACES	±		±	INITIAL REVISION:			SD-73300-008			
1 PLACE	±		±	DRWN: JLEE 2010/10/29			DOC TYPE			
0 PLACES	±		±	APPR: JWIENER 2010/11/18			PSD			
ANGULAR TOL	±		°	THIRD ANGLE PROJECTION			DOC PART			
DRAFT WHERE APPLICABLE MUST REMAIN WITHIN DIMENSIONS				DRAWING C-SIZE		SERIES 73300		MATERIAL NUMBER 733000080		REVISION B6
				SHEET NUMBER		CUSTOMER		7 OF 7		

DOCUMENT STATUS	P1	RELEASE DATE	2021/04/21	06:23:47
-----------------	----	--------------	------------	----------