

MODEL:

PDUMV20NET

Switched Rackmount PDU



Low Voltage Input/Output



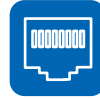
24 Outlets



20A Max Capacity



Load Meter



Network Interface

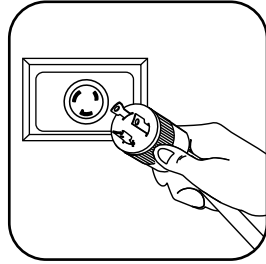


0U Rackmount



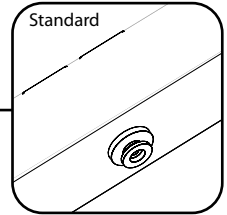
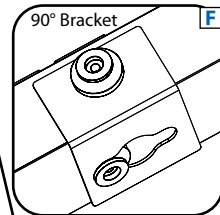
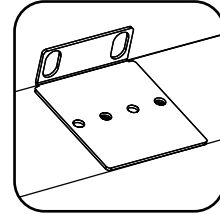
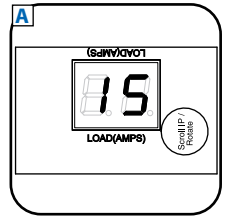
Toolless Mounting Buttons

- A** Digital Load Meter
- B** 5-15/20R Outlets with On/Off LEDs
- C** Durable Metal Case
- D** Removable Cord Retention Brackets
- E** Removable Mounting Brackets
- F** Toolless Mounting Buttons with Removable 90° Rotation Brackets
- G** 10 ft. Input Power Cord
- H** L5-20P Twist-Lock Input Plug
- I** L5-20P to 5-20P Plug Adapter
- J** Network Interface
- K** RJ45 Ethernet Jack
- L** Manual Configuration Port
- M** Environmental Monitoring Port
- N** Network Interface Reset Button

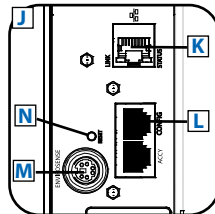


AC Input Connection: Insert L5-20P twist-lock plug into compatible L5-20R utility, generator or UPS outlet. (Included adapter converts L5-20P to 5-20P.)

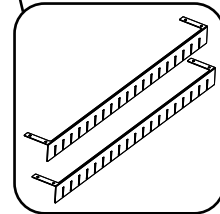
Also Includes: Cable Ties, Owner's Manual



Note: Installed 17.67 mm toolless mounting buttons can be replaced with included 14.17 mm buttons for additional compatibility.



Network Interface: Connect to Ethernet for remote monitoring and individual outlet control via SNMP, Web or Telnet. Add optional ENVIROSENSE accessory for temperature/humidity monitoring and dry contact interface.



Specifications

Model	PDUMV20NET
Voltage	100-125V
Frequency	50/60 Hz
Maximum Capacity	20A
Agency-Derated Capacity	16A
Input Connector	L5-20P or 5-20P
Cord Length	10 ft.
Outlets	24 (5-15/20R)
Primary Mounting Option	0U (Vertical) Rackmount
Unit Weight & Dimensions	10 lb / 2.65 x 70 x 2.19 in. <i>See next page for detailed unit measurements.</i>
Certifications	Tested to UL 60950-1 (US & Canada), NOM (Mexico), FCC Class A, RoHS

Tripp Lite has a policy of continuous improvement. Specifications are subject to change without notice.

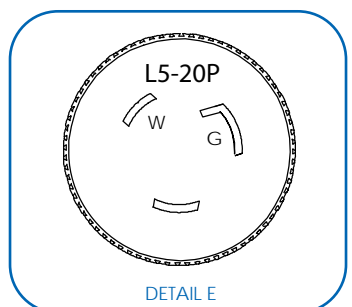
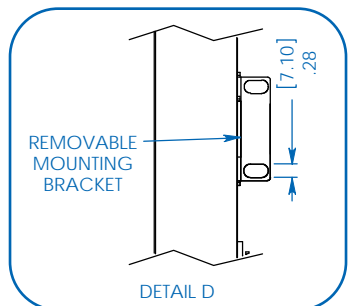
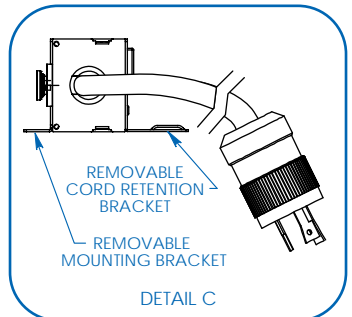
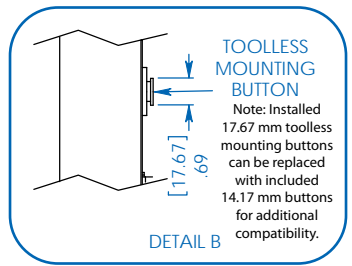
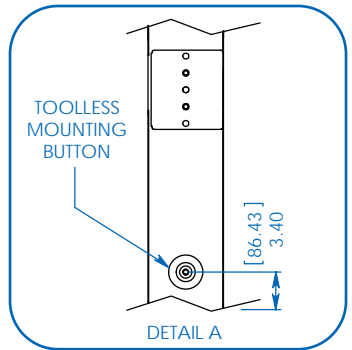
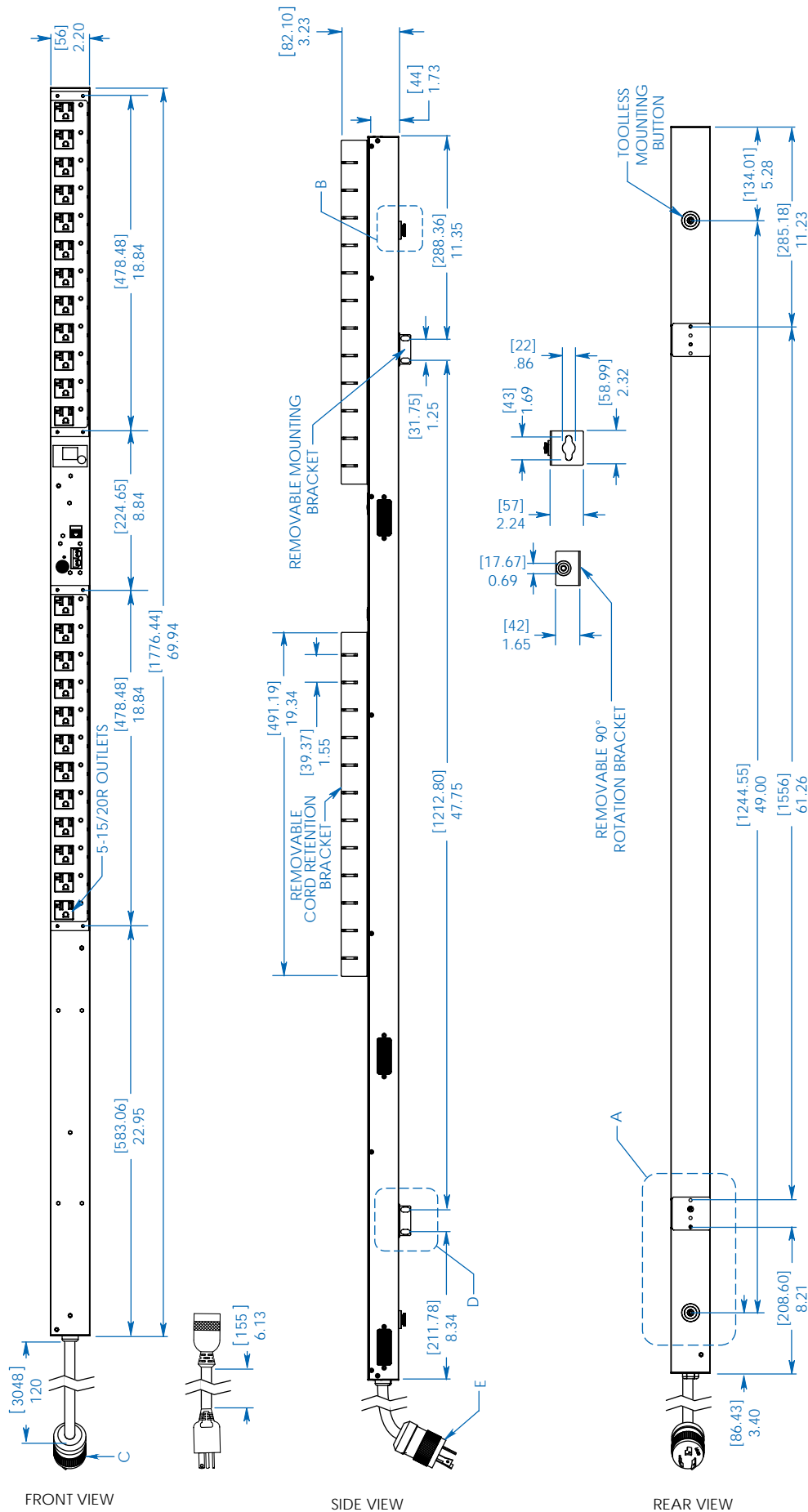


- Distributes power to 24 outlets
- Remote monitoring and control via SNMP, Web or Telnet
- Displays total load in real time
- Perfect for rackmount server, network and telecom applications

SEE NEXT PAGE FOR DETAILED UNIT MEASUREMENTS



1111 W. 35th Street
Chicago, IL 60609 USA
773.869.1234
www.tripplite.com



MODEL:
PDUMV20NET

TRIPP-LITE

1111 W. 35th Street
Chicago, IL 60609 USA
773.869.1234
www.triplite.com

Dimensions: [mm] INCHES

Tripp Lite has a policy of continuous improvement. Specifications are subject to change without notice.