

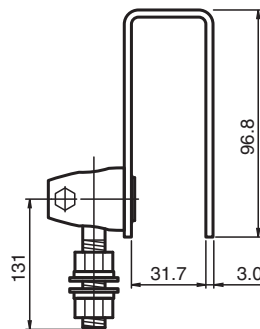
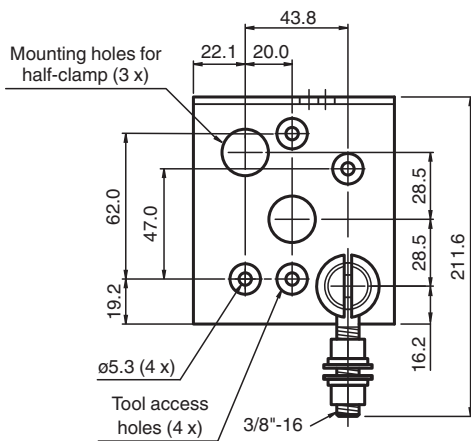
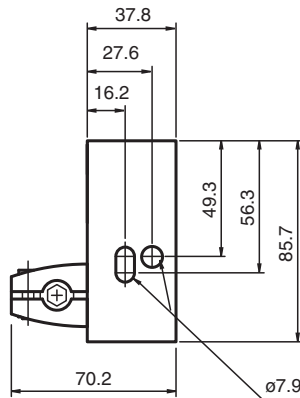


# Mounting aid OMH-RL2-S

- Mounting bracket
- Adjustable Bracket
- Protective functions

Protective Shroud Bracket with 360° Rotating Half-Clamp

## Dimensions



## Technical Data

### Mechanical specifications

Material

Stainless steel shroud, nickel-plated zinc half-clamp, zinc-plated steel screws and nuts

Release date: 2020-03-23 Date of issue: 2020-06-30 Filename: 904798\_eng.pdf

Refer to "General Notes Relating to Pepperl+Fuchs Product Information".

Pepperl+Fuchs Group  
www.pepperl-fuchs.com

USA: +1 330 486 0001  
fa-info@us.pepperl-fuchs.com

Germany: +49 621 776 1111  
fa-info@de.pepperl-fuchs.com

Singapore: +65 6779 9091  
fa-info@sg.pepperl-fuchs.com

**PF** PEPPERL+FUCHS

## Mounting

**Instructions**

Model OMH-RL2-S is a protective shroud bracket for Series 28 and Series 29 photoelectric sensors.

This model includes the following components (as shown in Figure 1, starting at the upper left and going clockwise).

- Half-clamp
- Mounting bolt with two nuts, two flat washers, and one lock washer
- Metal sensor shroud
- Two screws, two nuts, and two washers to mount sensor to shroud



Figure 1

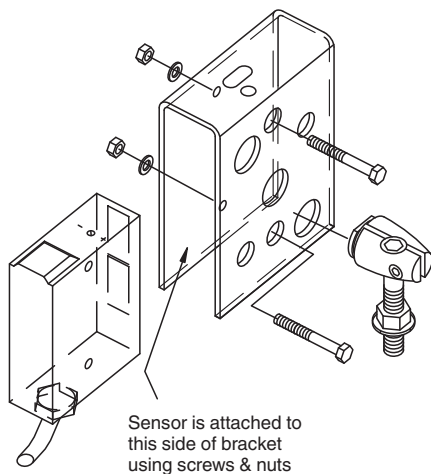


Figure 2

(1.) To assemble, the sensor must be mounted inside the sensor shroud.

Align the sensitivity adjustment potentiometer(s) of the sensor to the holes in the top of the shroud, as shown in Figure 3.

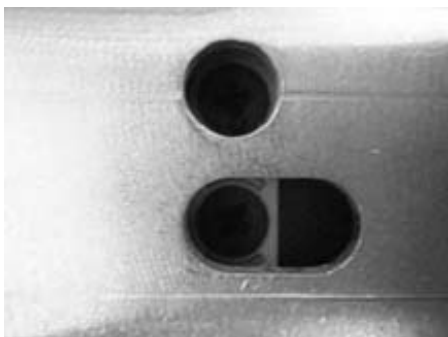


Figure 3

(2.) Slide the two screws through the shroud and sensor with the two washers and two nuts on the outside of the shroud. Tighten

Release date: 2020-03-23 Date of issue: 2020-06-30 Filename: 904798\_eng.pdf

the screws in place so the sensor is securely mounted inside the shroud, as shown in Figures 4 and 5.



Figure 4

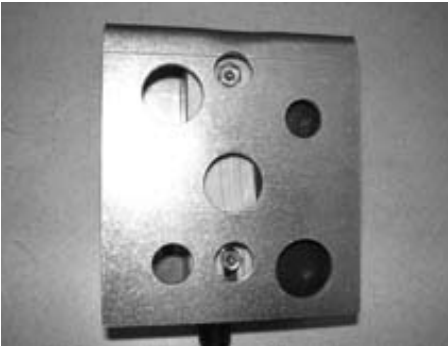


Figure 5

(3.) Loosen the half-clamp and observe the grooved slot inside. Place the head of the mounting bolt into this groove, as indicated in Figure 6.

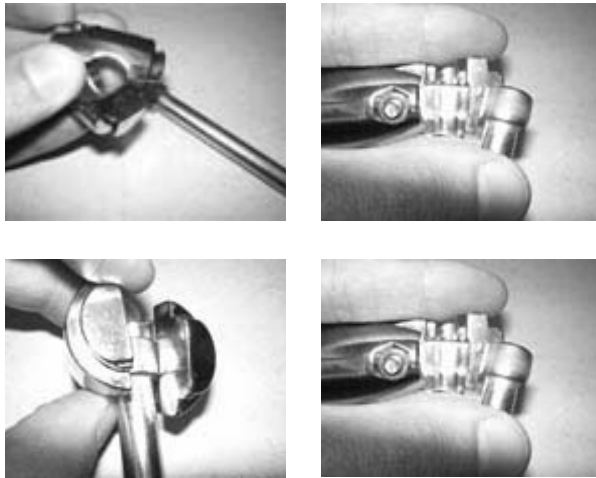


Figure 6

(4.) Without tightening the half-clamp over the bolt head, squeeze the half-clamp together so the smaller protrusion at the end fits together, and place it into one of the three larger holes on the side of the shroud as shown in Figure 7 and 8.



Release date: 2020-03-23 Date of issue: 2020-06-30 Filename: 904798\_eng.pdf

Figure 7



Figure 8

(5.) Position and align the mounting bracket as desired, then tighten the half-clamp set screw to secure the assembly as shown in Figure 9.

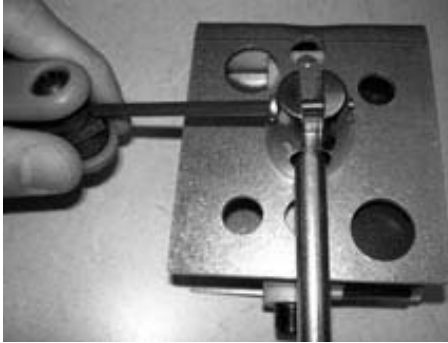


Figure 9

The OMH-RL2-S and attached sensor are now ready for installation as shown in Figure 10.



Figure 10