



## NS-205-IP67

Industrial 5-port unmanaged IP67 Ethernet switch

### Features

- Automatic MDI/MDI-X crossover for plug-and-play
- Store-and-forward architecture
- Each port supports both 10/100 Mbps speed auto negotiation
- Full duplex IEEE 802.3x and half duplex backpressure flow control
- Rugged RJ-45 connector for anti-vibration and shock
- IP67 grade protection approval



### Introduction

The NS-205-IP67 is designed for industrial applications in harsh environments. The rugged RJ-45 ensure tight, robust connections, and guarantee reliable operation, even for applications that are subject to high vibration and shock. The Ethernet switch support IEEE 802.3/802.3u/802/3x with 10/100M, full/half-duplex, MDI/MDI-X auto-sensing, and provide an economical solution for your industrial Ethernet network.

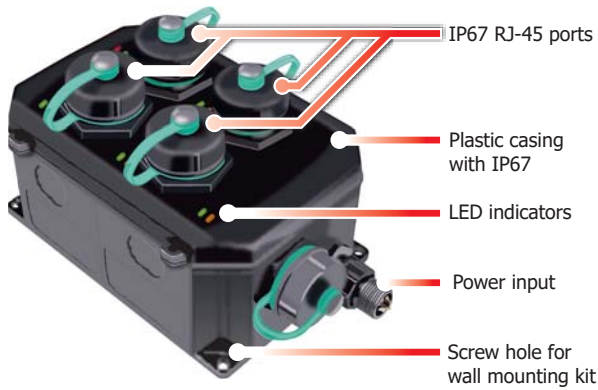
### Specifications

LED Indicators	
Status	PWR, 10/100M, Link/Act
Ethernet	
Ports	5 x RJ-45, 10/100Base-TX
Standards	EEE 802.3, 802.3u, 802.3x, 10/100 Base-T(X) auto negotiation speed, F/H duplex mode, and auto MDI/MDI-X connection
Processing Type	Store & forward; wire speed switching
MAC Table	1024
Memory Bandwidth	1.4 Gbps
Frame Buffer Memory	256 Kbit
Flow Control	IEEE 802.3x flow control, back pressure flow control
Isolation	1500 Vrms 1 minute
Power	
Reverse Polarity Protection	Yes
Input Range	+10 ~ +30 VDC (1 kV Isolated)
Consumption	0.12 A @ 24 VDC
Mechanical	
Casing	Plastic
Dimensions (mm)	85 x 137 x 76 (W x L x H)
Installation	Wall mounting
Ingress Protection Rating	IP67 for Operating Temperature -10 °C ~ +60 °C IP66 for Operating Temperature -40 °C ~ +75 °C
Environment	
Operating Temperature	-10 °C ~ +60 °C (Protection rating IP67) -40 °C ~ +75 °C (Protection rating IP66)
Storage Temperature	-10 °C ~ +60 °C (Protection rating IP67) -40 °C ~ +75 °C (Protection rating IP66)
Humidity	100% RH for Operating Temperature -10 °C ~ +60 °C 10% ~ 90% RH, non-condensing for Operating Temperature -40 °C ~ +75 °C

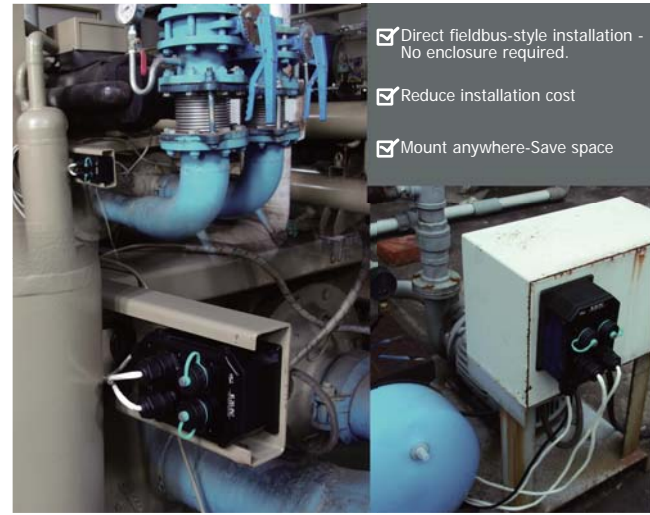
## Comparison Table of 5/8-port IP67 Ethernet Switch

Mode Name	NS-205-IP67	NS-208PSE-IP67	NS-208-IP67
PoE	-	802.3af x 8	-
Input Voltage Range	+10 VDC ~ +30 VDC (1 kV Isolated)	+46 VDC ~ +53 VDC	+12 VDC ~ +53 VDC
Installation	Wall Mounting		
Dimensions (W x L x H) (Unit: mm)	85 x 137 x 76	190 x 155 x 104	

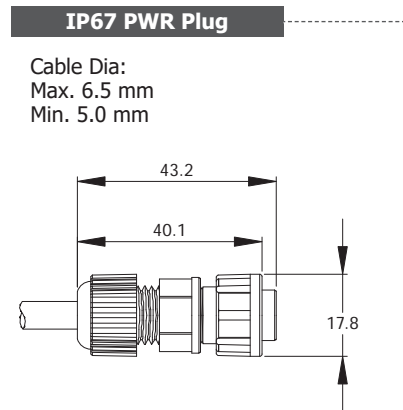
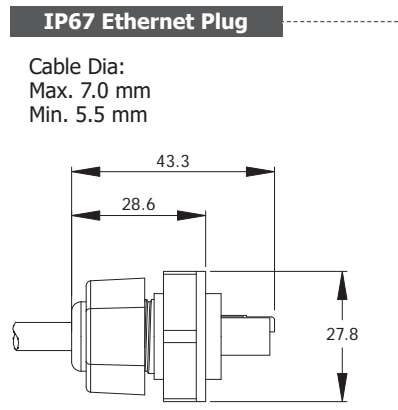
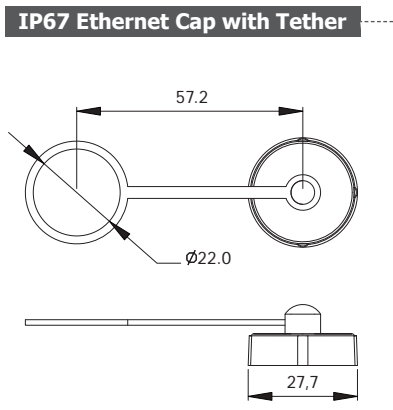
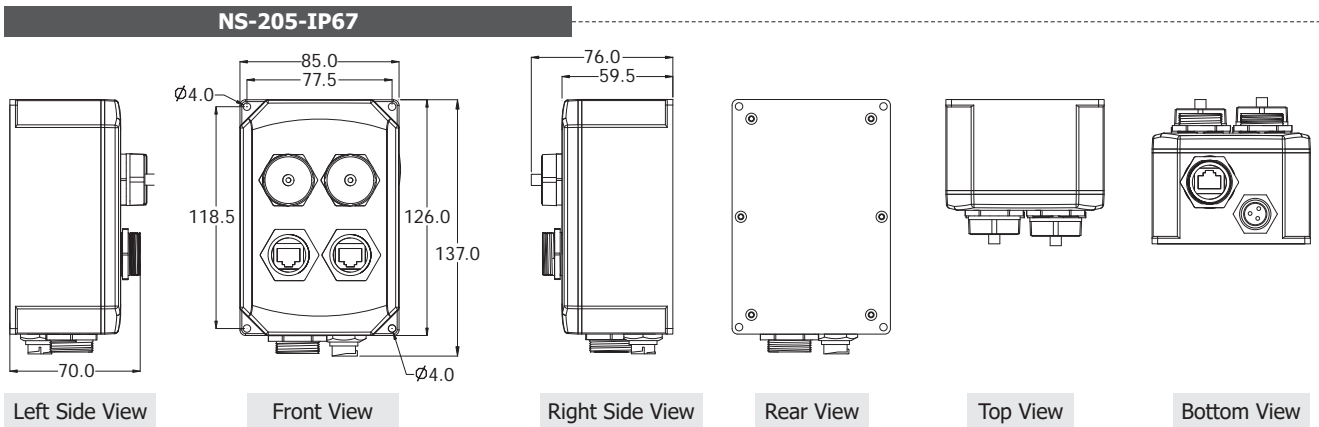
## Appearance



## Applications



## Dimensions (Units: mm)



# Industrial IP67 5-port Unmanaged Ethernet Switch

• NS-205-IP67



LED Indicators  
RED : PWR  
GREEN : 100M Link/Act  
ORANGE : 10M Link/Act

IP67 grade protection approval  
Rugged RJ-45 connector for anti-vibration and shock

## Ordering Information

<b>NS-205-IP67 CR</b>	Industrial 5-port unmanaged IP67 Ethernet switch (RoHS) Includes 4SASO-0001 (IP67 RJ-45 Plug) x 5, 4SASO-0004 (Cap with Tether) x 5 and 4SIO1K0000016 (IP67 Power Plug) x 1
-----------------------	--

## Accessories

<p>IP67 RJ-45 Plug</p>  <p>4SASO-001</p>	<p>IP67 Power Plug</p>  <p>4SIO1K0000016</p>	<p>Cap with Tether</p>  <p>4SASO-0004</p>
---	---	--