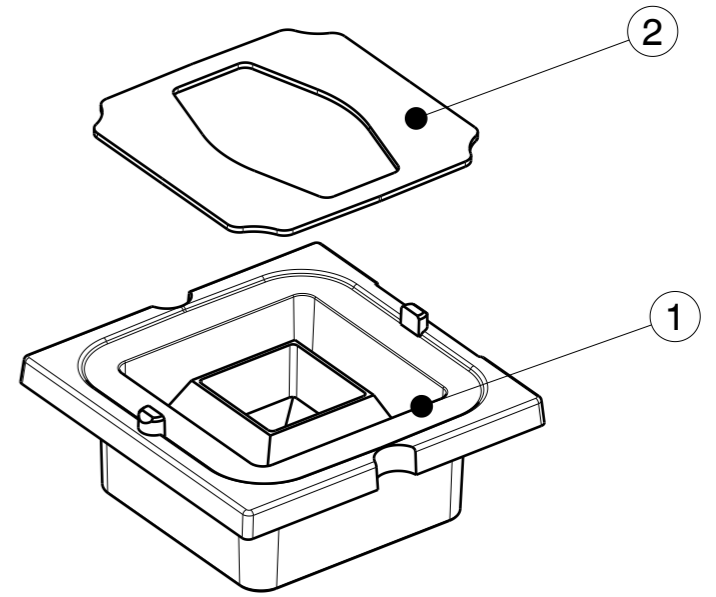
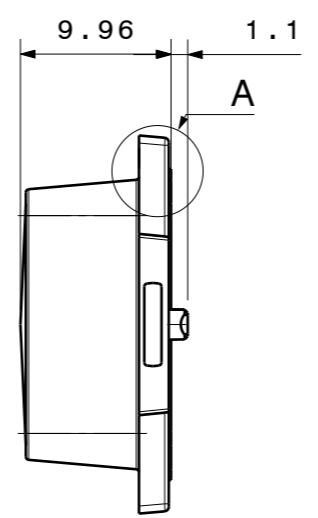
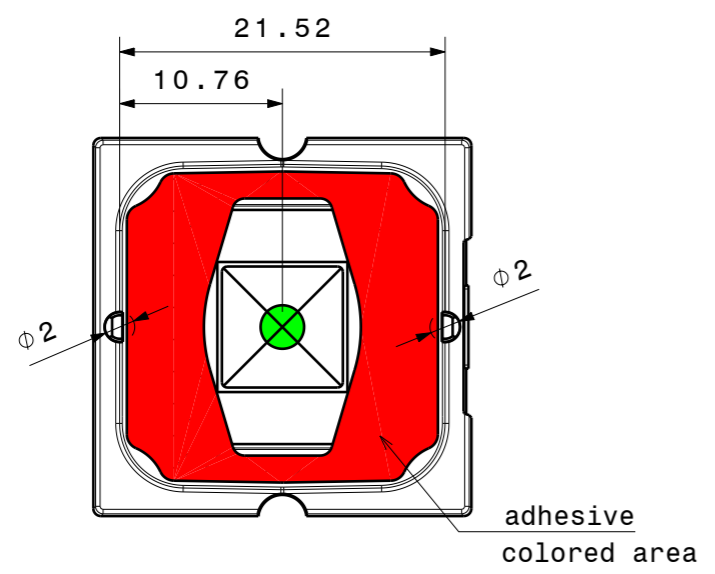
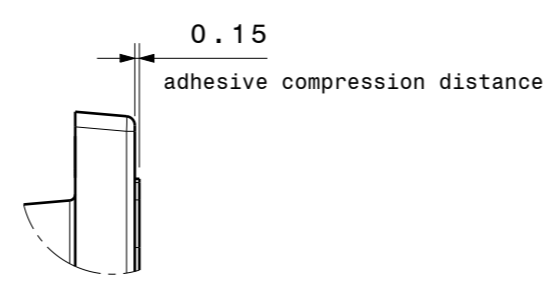
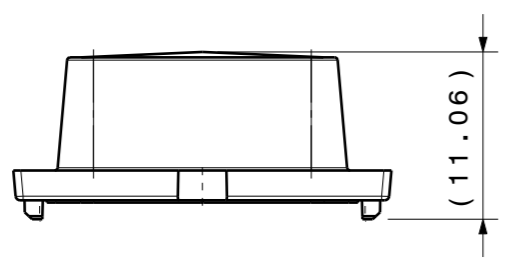


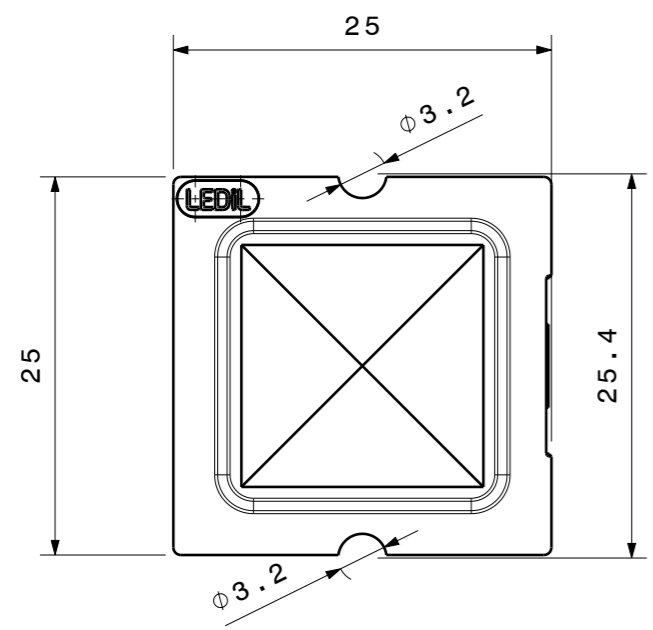
H G F E D C B A



Exploded view



Detail A  
Scale: 4:1



**COMPONENTS**

CA16372\_HB-SQ-WWW

INDEX	PART	TYPE	MATERIAL	COLOR / COATING
1	C16371_HB-SQ-WWW	lens	PMMA	clear
2	C16393_ROSE-TAPE	tape	Acrylic foam	adhesive

MECHANICAL DRAWING		LEDiL®
PRODUCT <b>HB</b>		
Tolerances if not otherwise shown According to DIN ISO 2768-1 Linear measures: Up to 30mm class M, otherwise class C. According to DIN ISO 2768-2 Form and position: class L	FIRST ANGLE PROJECTION: 	This drawing is the property of LEDiL Oy. It may not be reproduced, copied or communicated without a written agreement with LEDiL Oy.
SCALE <b>2:1</b>	WEIGHT -	A3 SHEET 1/1

**Notes**

	1	PCB or heatsink level.
	2	LED location.
	3	Ensure LED fitting from a product specific 3D model available from <a href="http://www.ledil.com">www.ledil.com</a> .

H G B A