

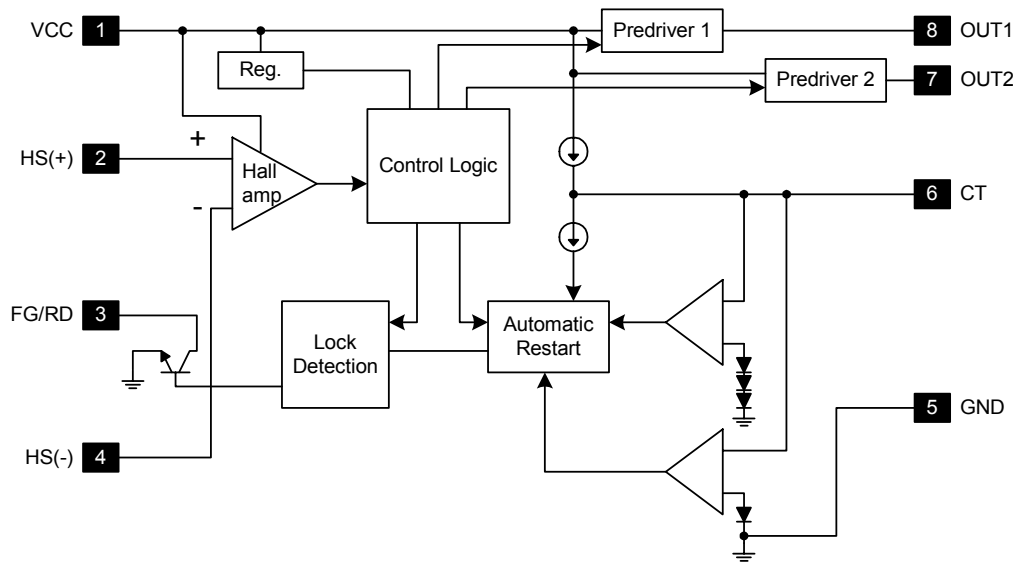
Not Recommended for New Design



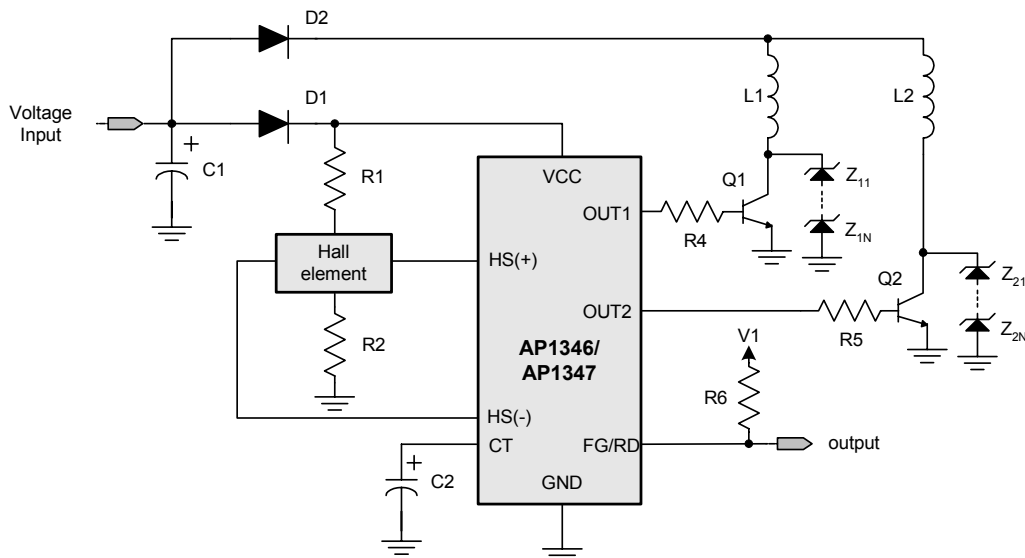
AP1346/1347

Two Coil Fan Motor Predriver

■ Block Diagram



■ Application Circuit



Not Recommended for New Design



AP1346/1347

Two Coil Fan Motor Predriver

■ Absolute Maximum Ratings (T_A=25°C)

Parameter	Symbol	Rating	Unit
Input voltage	V _{CC}	30	V
Output current	I _{OUT}	70	mA
Allowable power dissipation	P _D	550*(note1)	mW
Operating temperature	T _{OPR}	-30 to +85	°C
Storage temperature	T _{STG}	-55 to +125	°C

*note1 : Reduced by 5.5mW for each increase in Ta of 1°C over 25 °C

■ Electrical Characteristics (T_A=25°C, V_{CC}=12V, unless otherwise noted)

Parameter	Symbol	Conditions	Rating			Unit
			Min.	Typ.	Max.	
Input voltage	V _{IN}		4	--	28	V
Hall input voltage (DC+AC)	V _{BH}	Includes the amplitude of signal	1	--	V _{CC} -0.5	V
Supply current	I _{CC}	The output is off	--	4	5.5	mA
Hall amp input hysteresis (+)	V _{HYS+}	Delta V when V _{BH} =6V	3	--	15	mV
Hall amp input hysteresis (-)	V _{HYS-}	Delta V when V _{BH} =6V	-15	--	-3	mV
Charge current	I _{CHG}	V _{CT} = 1.5V	7.7	9.6	11.5	uA
Discharge current	I _{DHG}	V _{CT} = 1.5V	0.19	0.24	0.29	uA
Charge/discharge ratio	R _{CD}	I _{CHG} /I _{DCHG}	32	40	48	--
Clamp voltage	V _{CL}		1.6	2.0	2.4	V
Comparator voltage	V _{CP}		0.8	1.0	1.2	V
Output high level	V _{OH}	I _O = 10mA	10	10.5	--	V
FG / RD pin output low	V _{FGL} / V _{RDL}	I _{FG} = 5mA / I _{RD} = 5mA	--	--	0.5	V
FG / RD pin sink current capacity	I _{FG} / I _{RD}	V _{FGL} = 2V / V _{RDL} = 2V	8	--	--	mA

Not Recommended for New Design

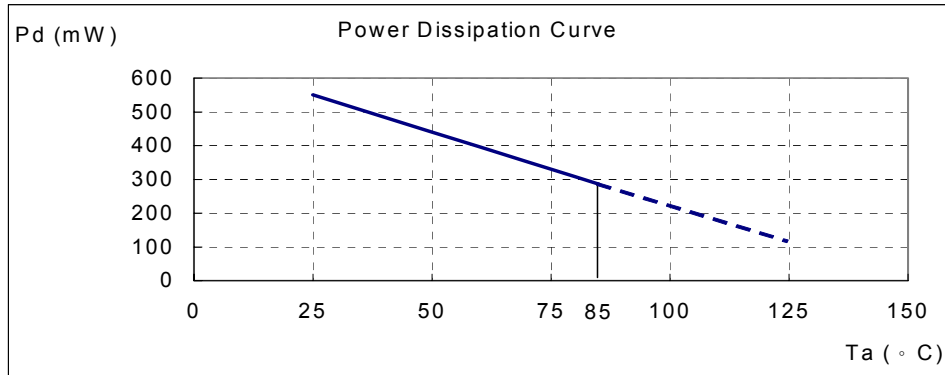


AP1346/1347

Two Coil Fan Motor Predriver

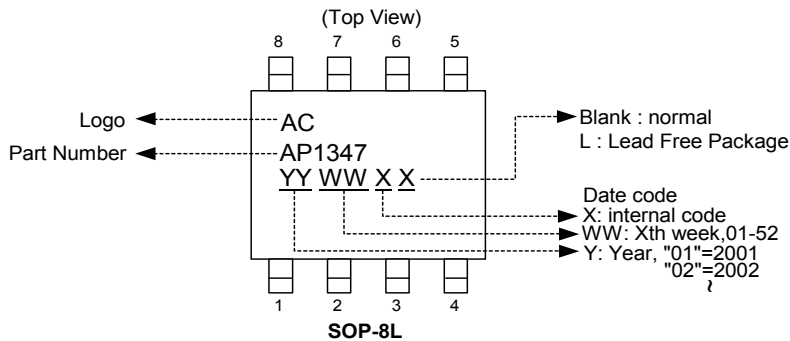
■ Performance Characteristics

Ta (°C)	25	50	60	70	80	85	90
Pd (mW)	550	440	396	352	308	286	264
Ta (°C)	95	100	105	110	115	120	125
Pd (mW)	242	220	198	176	154	132	110



Note : SOP-8L package.

■ Marking Information



Note: For AP1346, part number is marked as AP1346.

Not Recommended for New Design

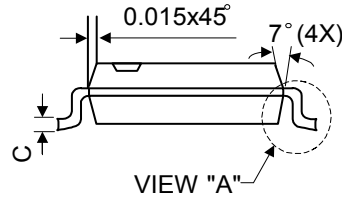
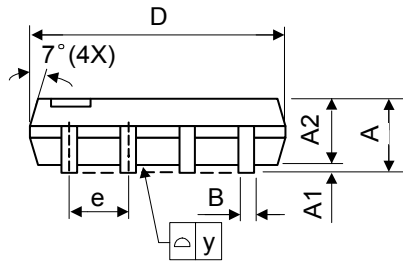
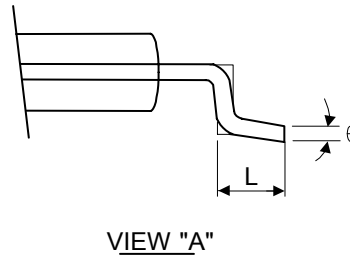
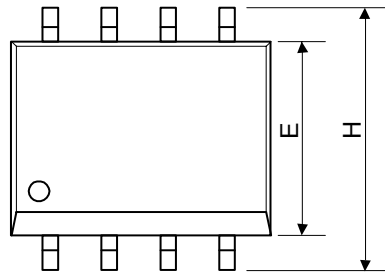


AP1346/1347

Two Coil Fan Motor Predriver

■ Package Information

Package Type: SOP-8L



Symbol	Dimensions In Millimeters			Dimensions In Inches		
	Min.	Nom.	Max.	Min.	Nom.	Max.
A	1.40	1.60	1.75	0.055	0.063	0.069
A1	0.10	-	0.25	0.040	-	0.100
A2	1.30	1.45	1.50	0.051	0.057	0.059
B	0.33	0.41	0.51	0.013	0.016	0.020
C	0.19	0.20	0.25	0.0075	0.008	0.010
D	4.80	5.05	5.30	0.189	0.199	0.209
E	3.70	3.90	4.10	0.146	0.154	0.161
e	-	1.27	-	-	0.050	-
H	5.79	5.99	6.20	0.228	0.236	0.244
L	0.38	0.71	1.27	0.015	0.028	0.050
y	-	-	0.10	-	-	0.004
θ	0°	-	8°	0°	-	8°