
Product Change Notification (PCN)

Issue Date: 4/25/2014
Modification/Revision Date: 4/25/2014

Modular Jack - Low Profile, 6P6C, Right Angle, 6μ"

Change Notification: **PCN-US-20140413 A-20041/LP**

Description of changes: **Change of Production Location
Change to New Tools
Change of Part Number**

**1. Amendment of the specification
2. Change of Dimensions, see sheet 3
3. New part number A-20041/LP replaces old part number A-2004-1-4-LP-N-R
4. Drawing # ASS_2802_COrev02 replaces all prior drawings**

Date of change and Implementation: **Change: 4/25/2014**

Key Characteristics of Change: **Change of production location**

Products Affected: **A-2004-1-4-LP-N-R**

Reason for Change: **Change of production location
Change to new tools**

Response: **No response to this notification is required.**

Product Change Notification (PCN)

Issue Date: **4/25/2014**
Modification/Revision Date: **4/25/2014**

Reference Documents / Attachments:

Document: Drawing

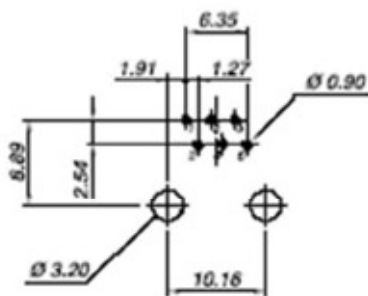
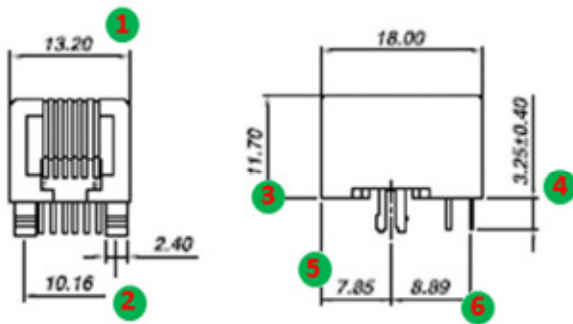
Previous part number	New part number	Drawing number
A-2004-1-4-LP-N-R	A-20041/LP	ASS_2802_COrev02

As attached

Product Change Notification (PCN)

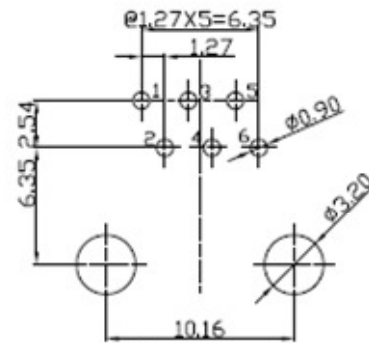
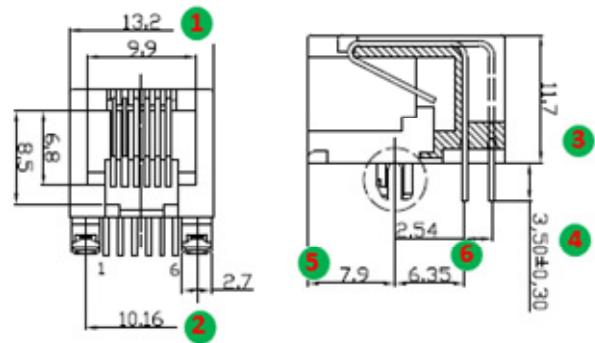
Issue Date: 04/25/2014
Modification/Revision Date: 04/25/2014

A-2004-1-4-LP-N-R
Old version



PCB LAYOUT
(Top View)

A-20041/LP
New Version



PC Board Layout
Component Side Shown

