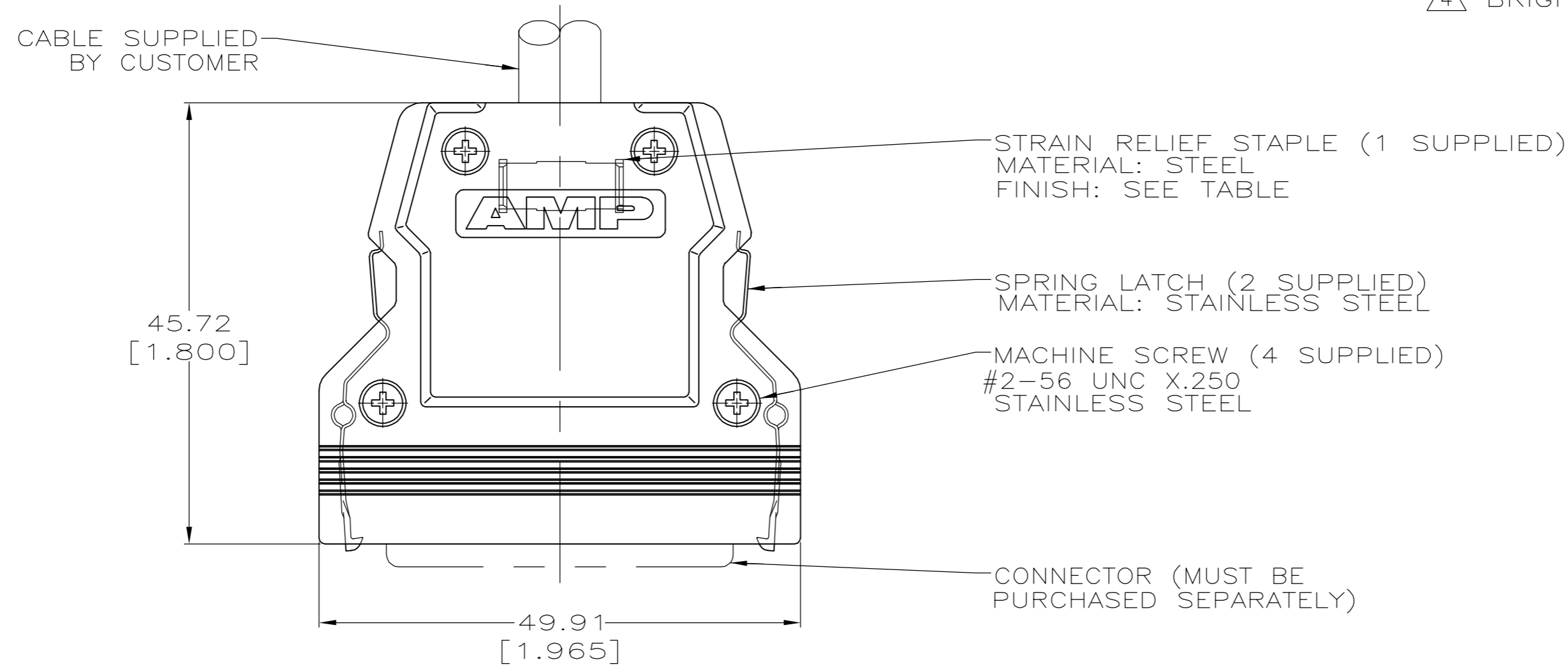


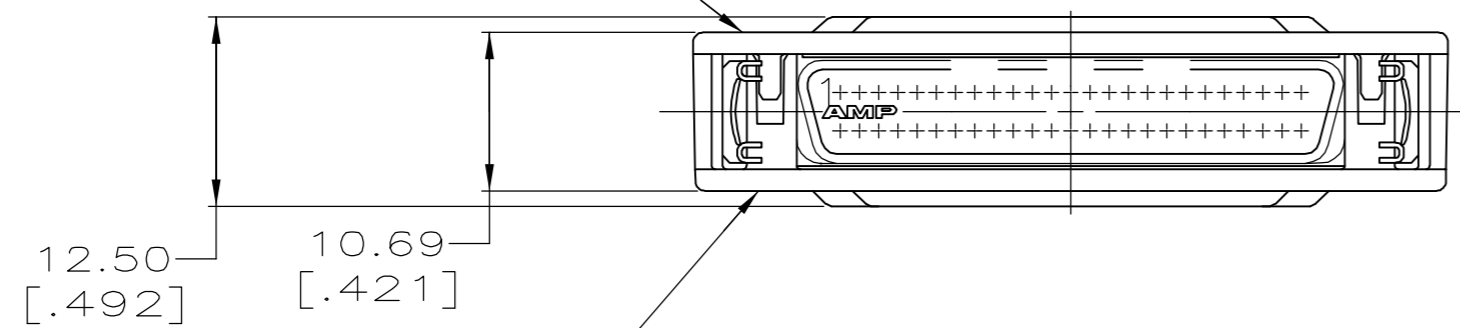
THIS DRAWING IS UNPUBLISHED. RELEASED FOR PUBLICATION
 © COPYRIGHT BY TYCO ELECTRONICS CORPORATION. ALL RIGHTS RESERVED.

LOC	DIST	REVISIONS			
P	LTR	DESCRIPTION	DATE	DWN	APVD
GP	00	E2	REVISED PER ECO-06-024597	13NOV06	JDP SAS

- 1 PARTS PACKAGED AS A UNIT KIT.
- 2 PARTS INDIVIDUALLY BULK PACKAGED & SHIPPED AS A UNIT PACKAGE.
- 3 BRIGHT TIN-LEAD OVER NICKEL.
- 4 BRIGHT TIN OVER NICKEL.



UPPER BACKSHELL (1 SUPPLIED)
 MATERIAL: ZINC
 FINISH: SEE TABLE



LOWER BACKSHELL (1 SUPPLIED)
 MATERIAL: ZINC
 FINISH: SEE TABLE

BACKSHELL FINISH	STAPLE FINISH	PACKAGING	CABLE DIA	PART NO.
NICKEL OVER COPPER	4	1	.480 MAX	749889-6
BLACK POWER	3	1	.480 MAX	749889-5
NICKEL OVER COPPER	3	2	.480 MAX	749889-4
NICKEL OVER COPPER	3	1	.480 MAX	749889-3
NICKEL OVER COPPER	3	1	.400 MAX	749889-2
NICKEL OVER COPPER	3	1	.355 MAX	749889-1

SUPERSEDED BY 5749889-3
 OBSOLETE
 OBSOLETE

THIS DRAWING IS A CONTROLLED DOCUMENT.

DIMENSIONS: mm [INCHES]	TOLERANCES UNLESS OTHERWISE SPECIFIED: 0 PLC ± - 1 PLC ± - 2 PLC ± 0.38 [.015] 3 PLC ± - 4 PLC ± - ANGLES ± -	DWN M.A.MCCAFFREY 10/24/90 CHK S.G.SMITH 10/24/90 APVD - PRODUCT SPEC - APPLICATION SPEC - WEIGHT -	tyco Electronics Tyco Electronics Corporation Harrisburg, PA 17105-3608
MATERIAL SEE CALLOUTS	FINISH SEE CALLOUTS	CUSTOMER DRAWING	BACKSHELL KIT, 50 POSITION, REDUCED WIDTH, STRAIGHT EXIT, UNKEYED, AMPLIMITE .050 SERIES
SCALE 2:1		SHEET 1 OF 1	REV E2