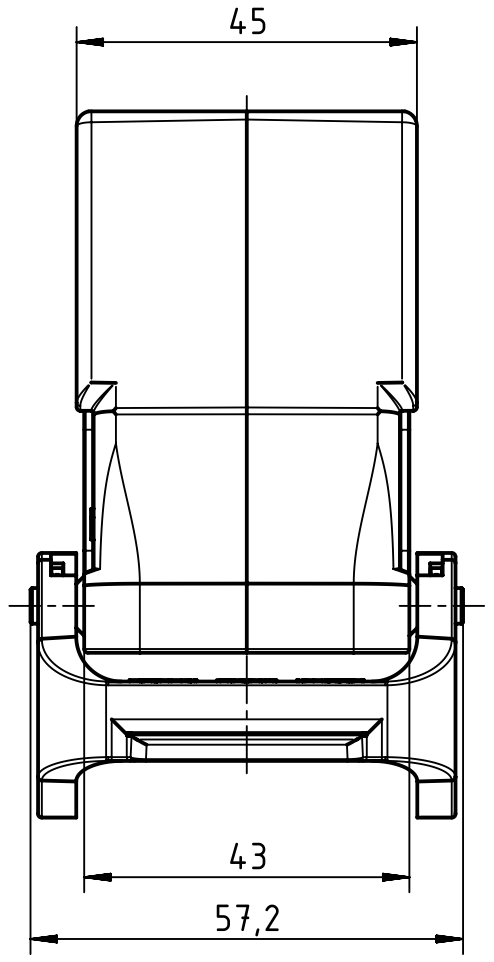
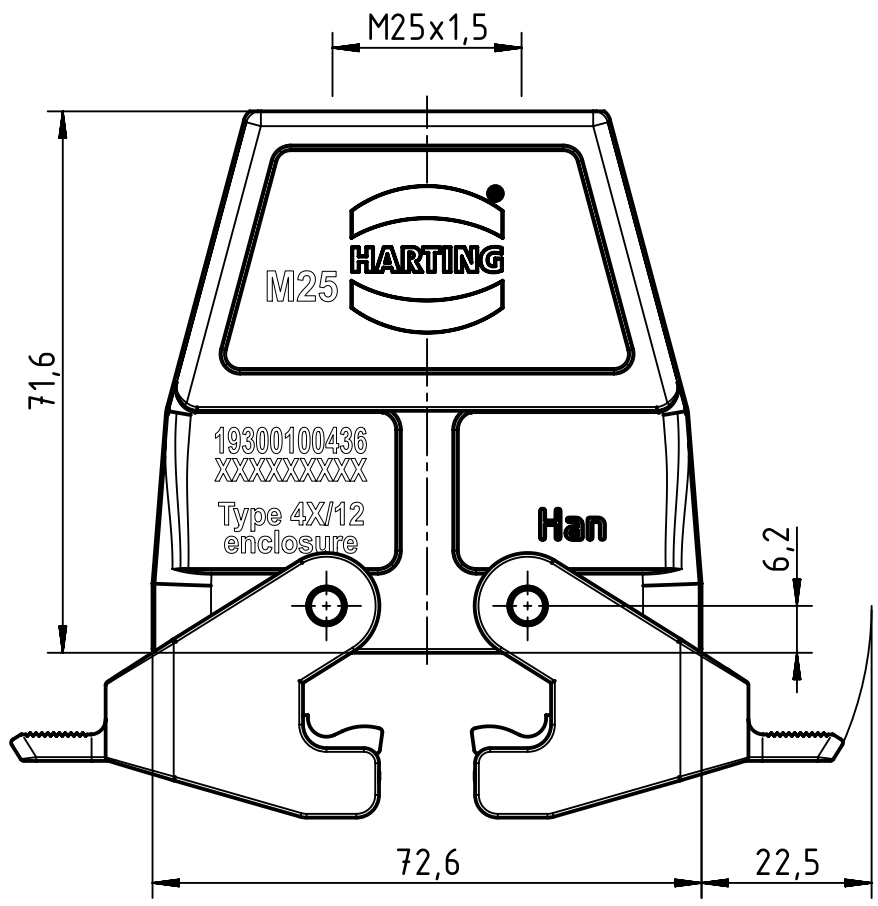
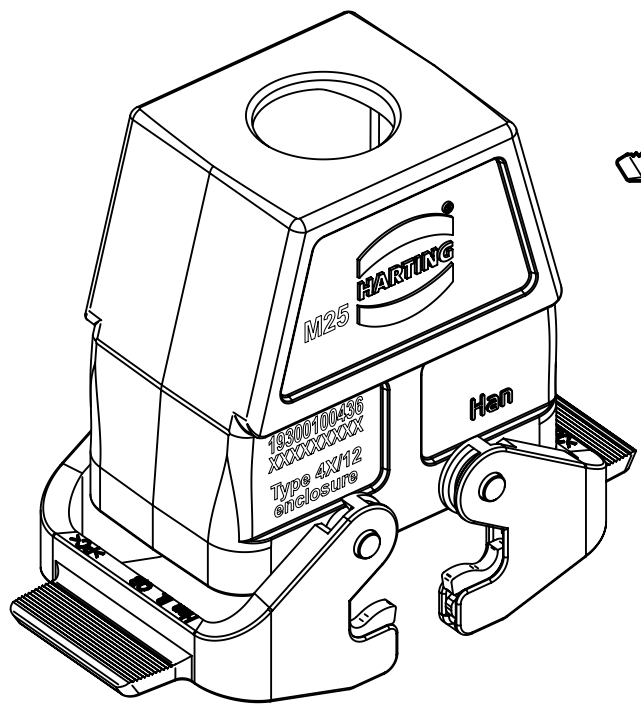



1 2 3 4 5 6

A  
B  
C  
D



	All rights reserved Department EL PD	All Dimensions in mm Original Size DIN A4		Scale 1:1	Free size tol.	Ref. Sub.
		HARTING Electric GmbH & Co. KG D-32339 Espelkamp	Created by SPRENB	Inspected by GERB	Standardisation GARSKE	Date 2020-02-24
Title Han 10B-gg-QB-M25					Doc-Key / ECM-Nr. 100232800/UGD/004/C 500000163189	
			Type TB	Number 19 30 010 0436		Rev. C
						Page 1/1