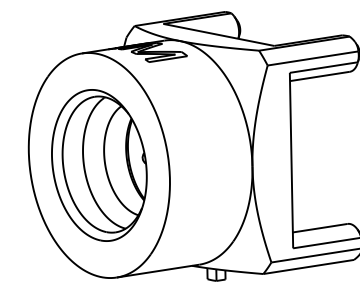


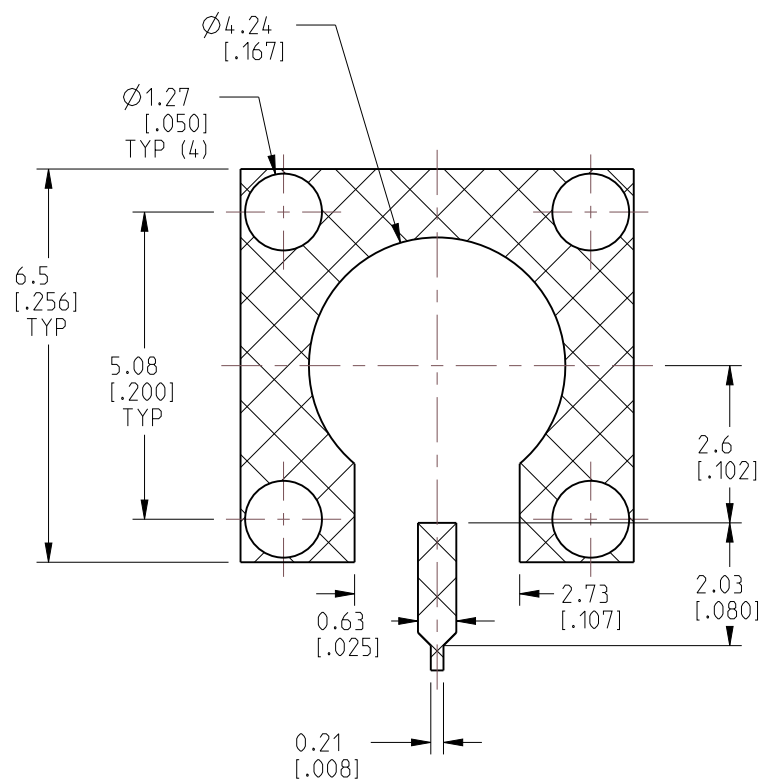
NOTES:

1. MATERIALS AND FINISHES:
 BODY - BeCu, GOLD PLATING
 CONTACT - BeCu, GOLD PLATING
 INSULATOR - LCP E130i
2. ELECTRICAL:
 A. IMPEDANCE: 50 OHM
 B. FREQUENCY RANGE: DC - 20 GHz
 C. RETURN LOSS: 1.10 MAX. (-26.4 dB MIN.), @ DC - 8 GHz
 1.22 MAX. (-20 dB MIN.), @ 8 - 20 GHz
 CONNECTOR ONLY. PERFORMANCE WILL VARY
 BASED ON BOARD LAYOUT.
 D. DIELECTRIC WITHSTANDING VOLTAGE: 500 VRMS. MIN.
3. MECHANICAL:
 A. DURABILITY: 500 CYCLES MIN.
 B. ENGAGEMENT FORCE: 10 LBS (45 N) MAX.
 C. DISENGAGEMENT FORCE: 2 LBS (9 N) MIN.
 D. INNER CONTACT RETENTION FORCE: 1.5 LBS (7 N) MIN.
 E. TEMPERATURE RANGE: -65°C TO +165°C
4. PACKAGING:
 A. QUANTITY: 50 PCS TRAY
 B. MARKING: BAG TO BE MARKED
 "AMPHENOL RF, SMP-MSLD-PCT-NM AND DATE CODE"

REVISIONS				
REV	DESCRIPTION	DATE	ECN	BY
A	RELEASE TO MFG.	18-Nov-22	16309	SH

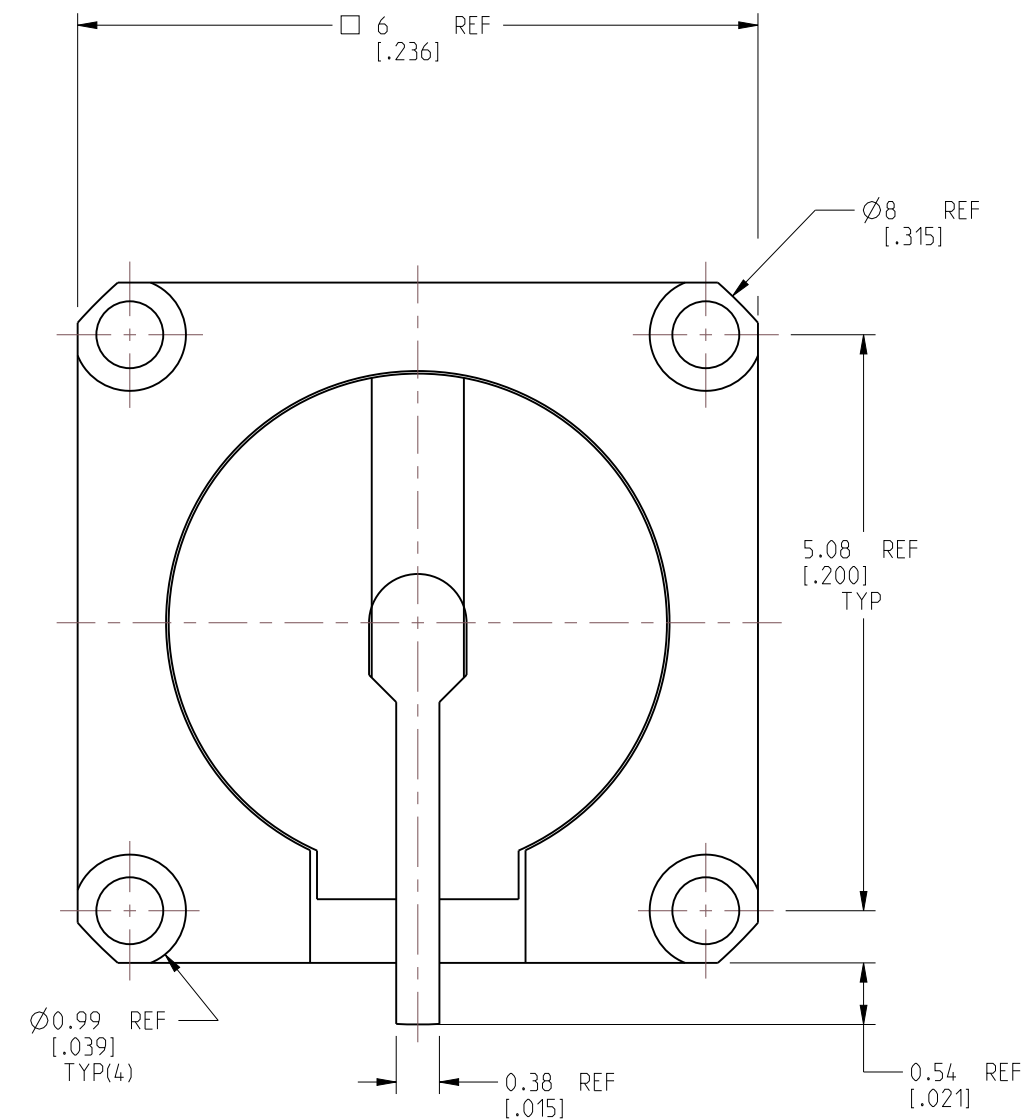
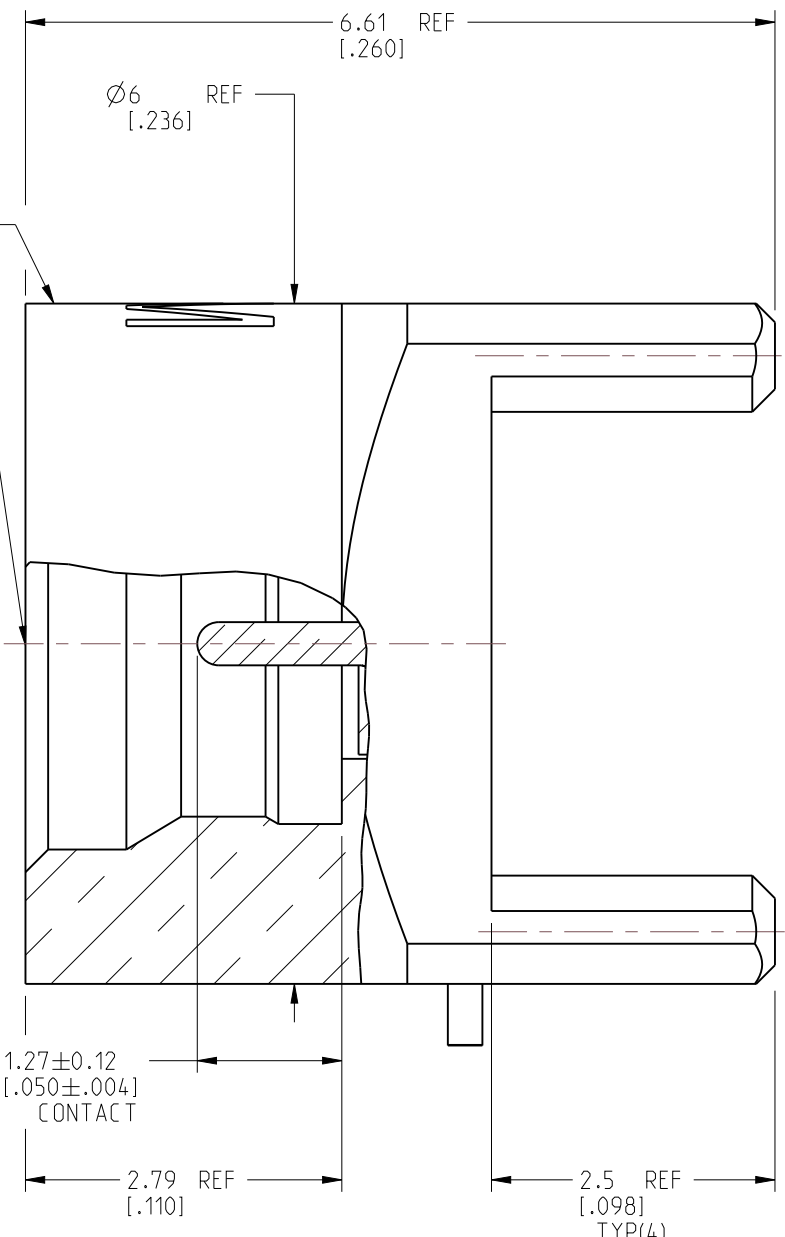


SCALE 5.000



THIS SURFACE MARKED "NM"
 TO SIGNIFY NON-MAGNETIC CONNECTORS

INTERFACE PER
 MIL-STD-348
 SERIES: SMP JACK
 LIMITED DETENT



CUSTOMER OUTLINE DRAWING
 ALL OTHER SHEETS ARE FOR INTERNAL USE ONLY

NOTICE: These drawings, specifications, or other data (1) are, and remain the property of Amphenol corp. (2) must be returned upon request; and (3) are confidential and not to be disclosed to any person other than those to whom they are given by Amphenol Corp. The furnishing of these drawings, specifications, or other data by Amphenol Corp., or to any other person to anyone for any purpose is not to be regarded by implication or otherwise in any manner licensing, granting rights to permitting such holder or any other person to manufacture, use or sell any product, process or design, patented or otherwise, that may in any way be related to or disclosed by said drawings, specifications, or other data.		UNLESS OTHERWISE SPECIFIED DIMENSIONS ARE METRIC (INCHES) AND TOLERANCES ARE: <0.5mm = ±0.05mm [-0.020 = ±0.002] 0.5 - 6mm = ±0.1mm [-0.020 - 0.236 = ±0.004] >6.00 - 30mm = ±0.2mm [-0.236 - 1.181 = ±0.008] >30.00 - 120mm = ±0.3mm [-1.181 - 4.725 = ±0.012]		MATERIAL ENGR.1 S.VO ENGR.2 L.QIN DATE 21-OCT-20		TITLE SMP STR JACK PCB RECEPTACLE LIMITED DETENT NON-MAGNETIC SHEET NO. 2 OF 2 SCALE: 15.0:1.0		Amphenol RF DRAWING NO. SMP-MSLD-PCT-NM ITEM NO. SMP-MSLD-PCT-NM PART NO. SMP-MSLD-PCT-NM REV A	
THIRD ANGLE PROJ.	REFERENCE	EAR# 8889	ANGLES = ±1°						