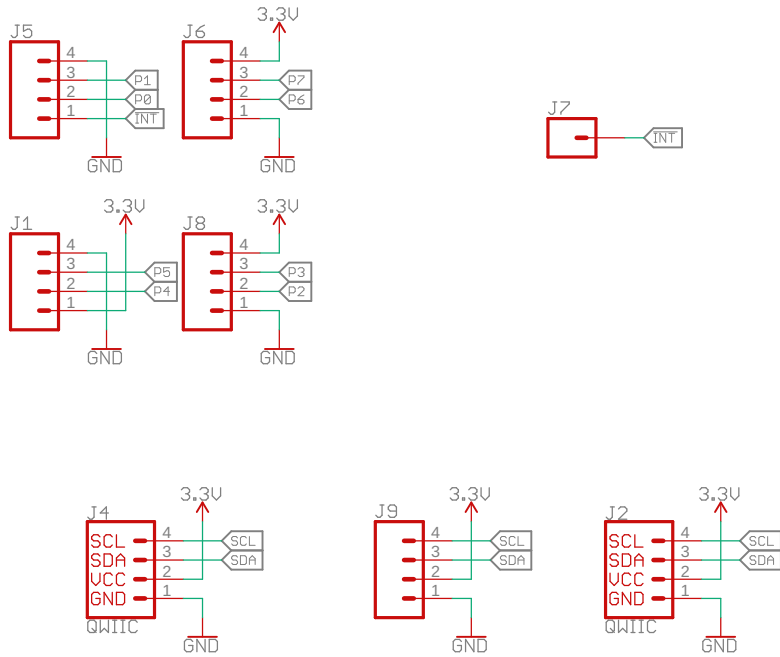
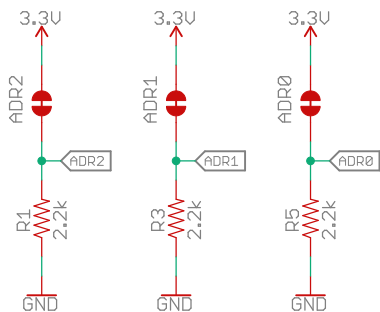


Connections



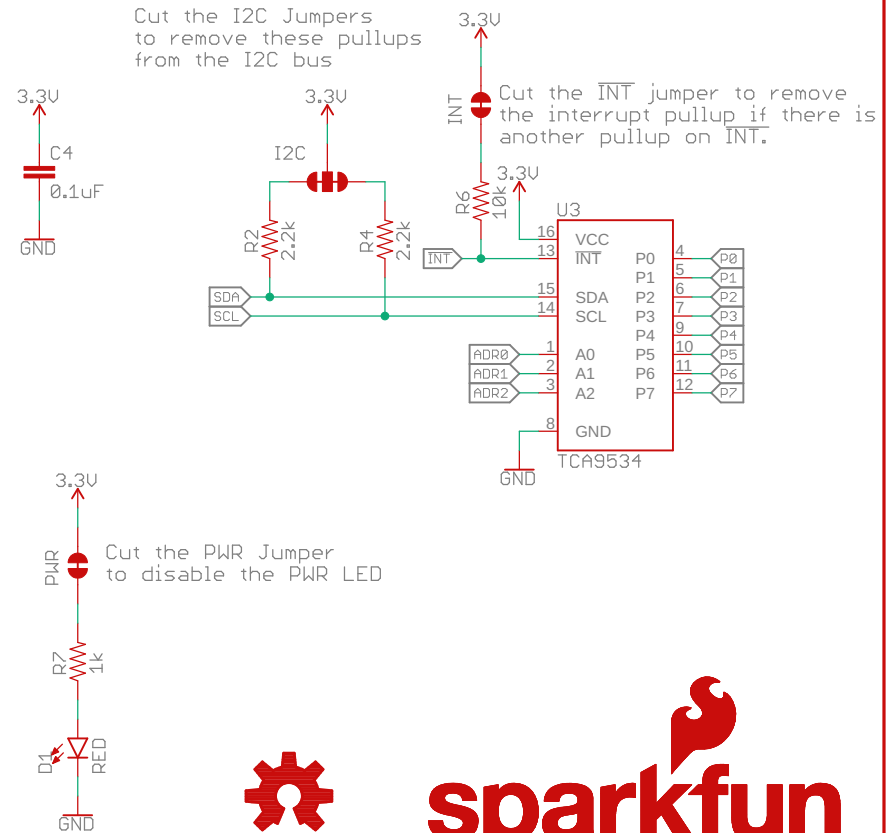
Address Selection Jumpers



ADR2	ADR1	ADR0	Address
0	0	0	0x20
0	0	1	0x21
0	1	0	0x22
0	1	1	0x23
1	0	0	0x24
1	0	1	0x25
1	1	0	0x26
1	1	1	0x27 (default)

0: Open
1: Closed

I2C->GPIO (TCA9534) UCC: 1.65-5.5V




open hardware


sparkfun

Released under the Creative Commons
Attribution Share-Alike 4.0 License
<https://creativecommons.org/licenses/by-sa/4.0/>



TITLE: Qwiic_GPIO

Design by: Kevin Kuwata
Revision By: Andy England

REV:
v1.0

Date: 8/27/2020 1:34 PM

Sheet: 1/1