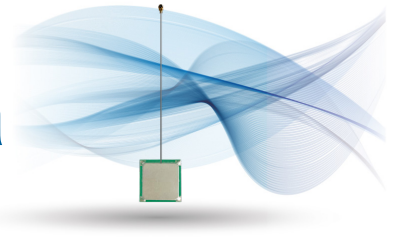


CRJKS0010 Embedded GPS Antenna

Embedded Ceramic GPS Antenna

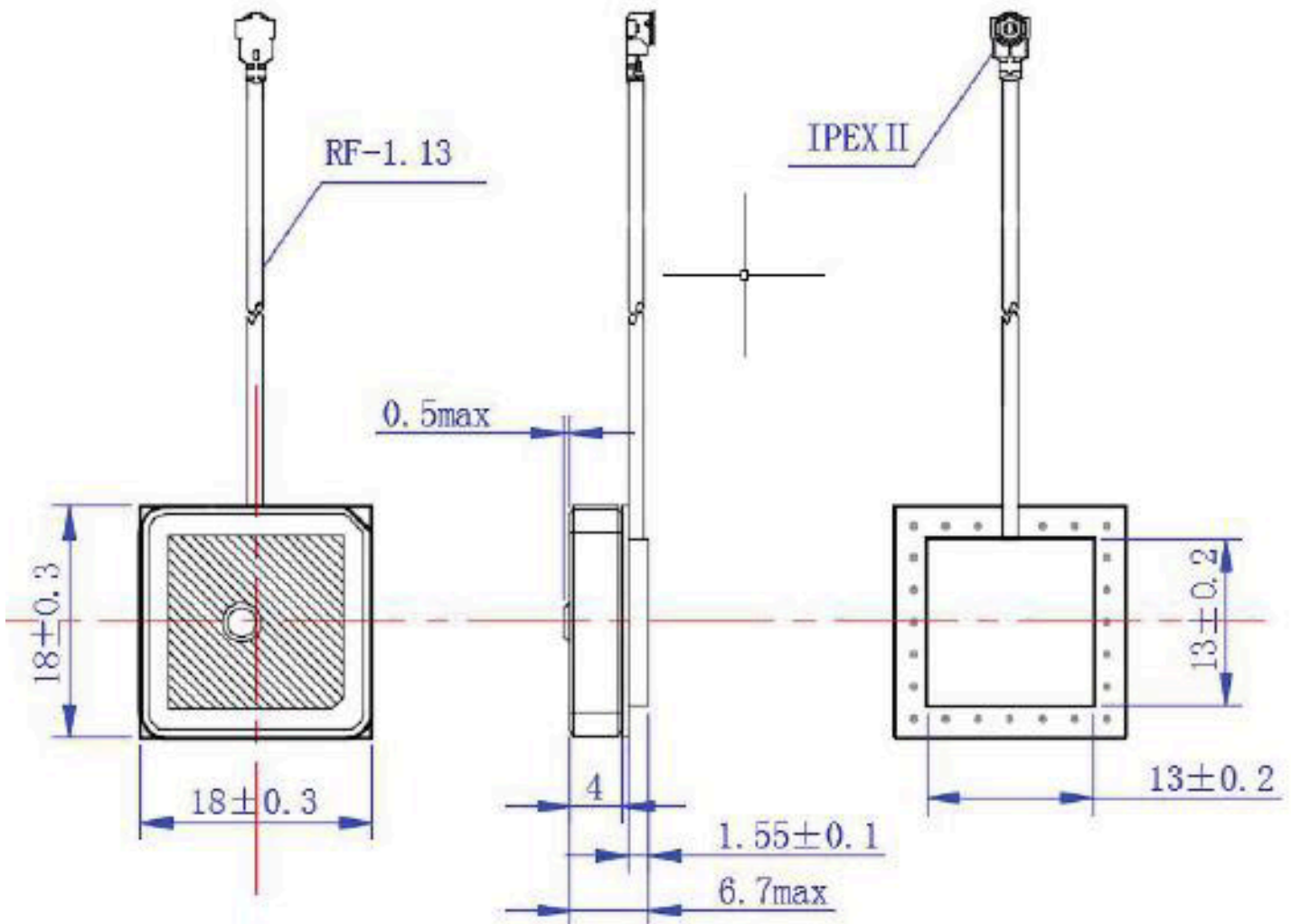


Airgain's CRJKS0010 patch antenna series are ceramic antennas specially designed for all GPS applications. This ceramic patch antenna has excellent stability and sensitivity through high-performance proprietary ceramic materials and processes.

- ROHS Compliant

CONFIGURATION

CRJKS0010-LNA-G65U	GPS (1559 MHz to 1610 MHz), Ceramic Antenna, Grey 65 mm Cable, U.fl Connector
--------------------	---



SPECIFICATIONS AND INTERFACE

Outline Dimensions	18 mm x 18 mm x 6.7 mm
Frequency Region	1559 MHz to 1610 MHz
Polarization	Right-Hand Circular Polarization
Axial Ratio	6 dB @ 1575 MHz
LNA Input Voltage	1.8 - 5 VDC
LNA Current Draw	4.5 mA (typ.)
LNA Noise Figure	< 1.2
LNA Gain	16.3 dB \pm 0.5 dB
LNA P1dB	-8 dBm
Total Antenna Gain	17 dB \pm 1 dB
Temperature Range	-45, +85

RADIATION PATTERNS
