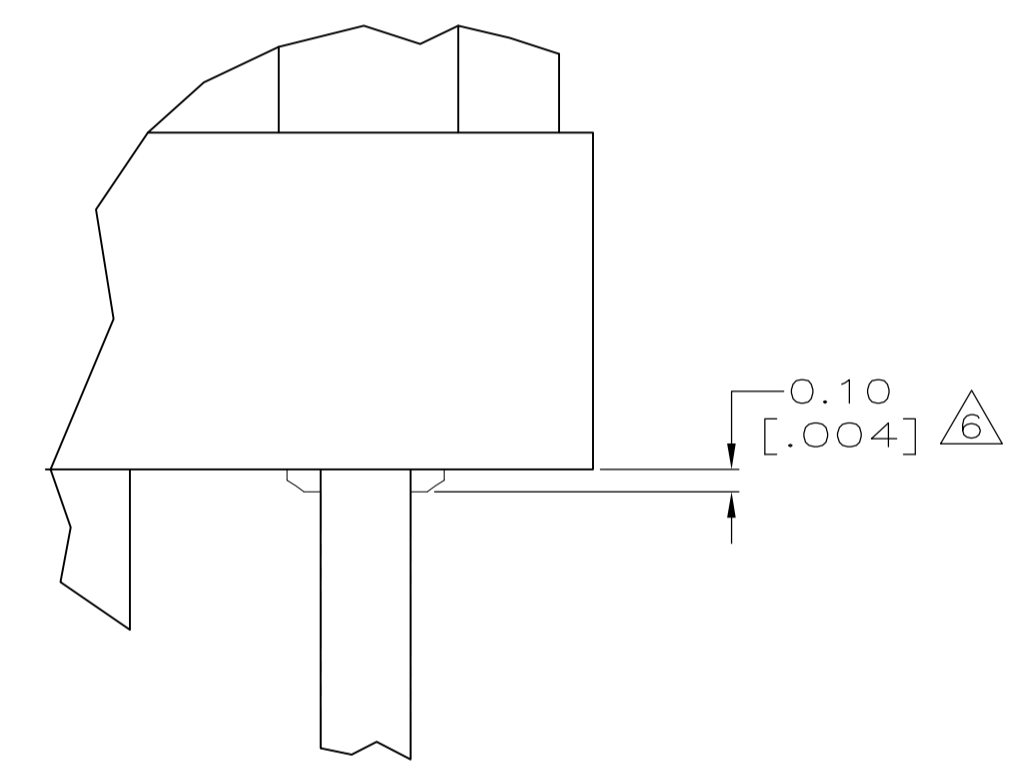
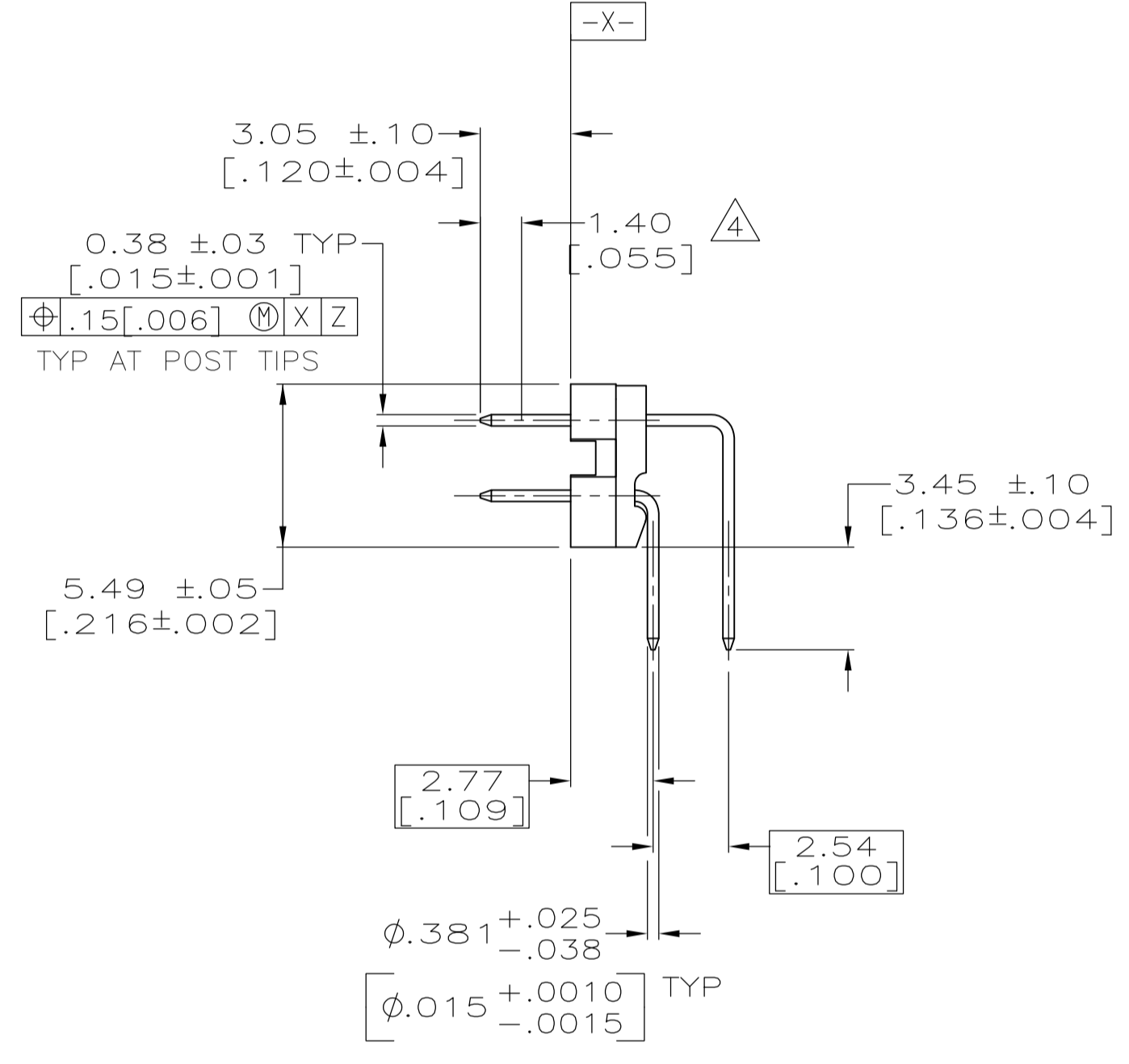
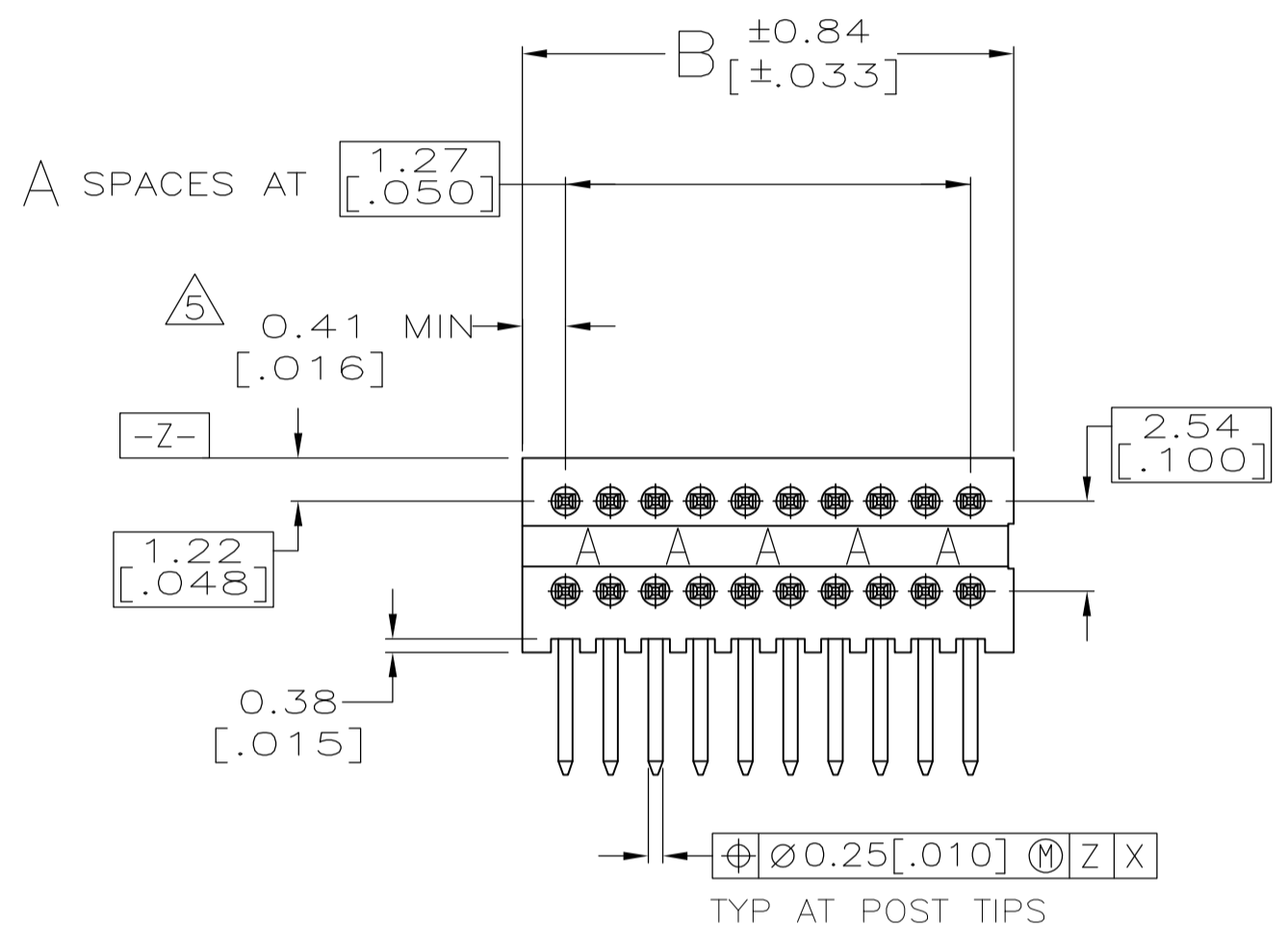
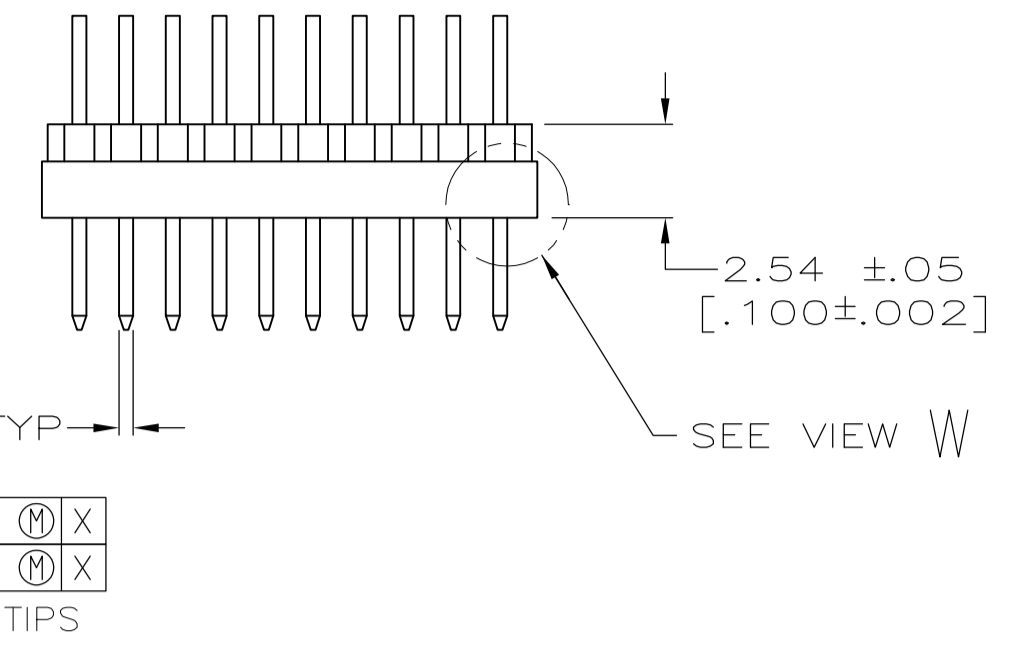
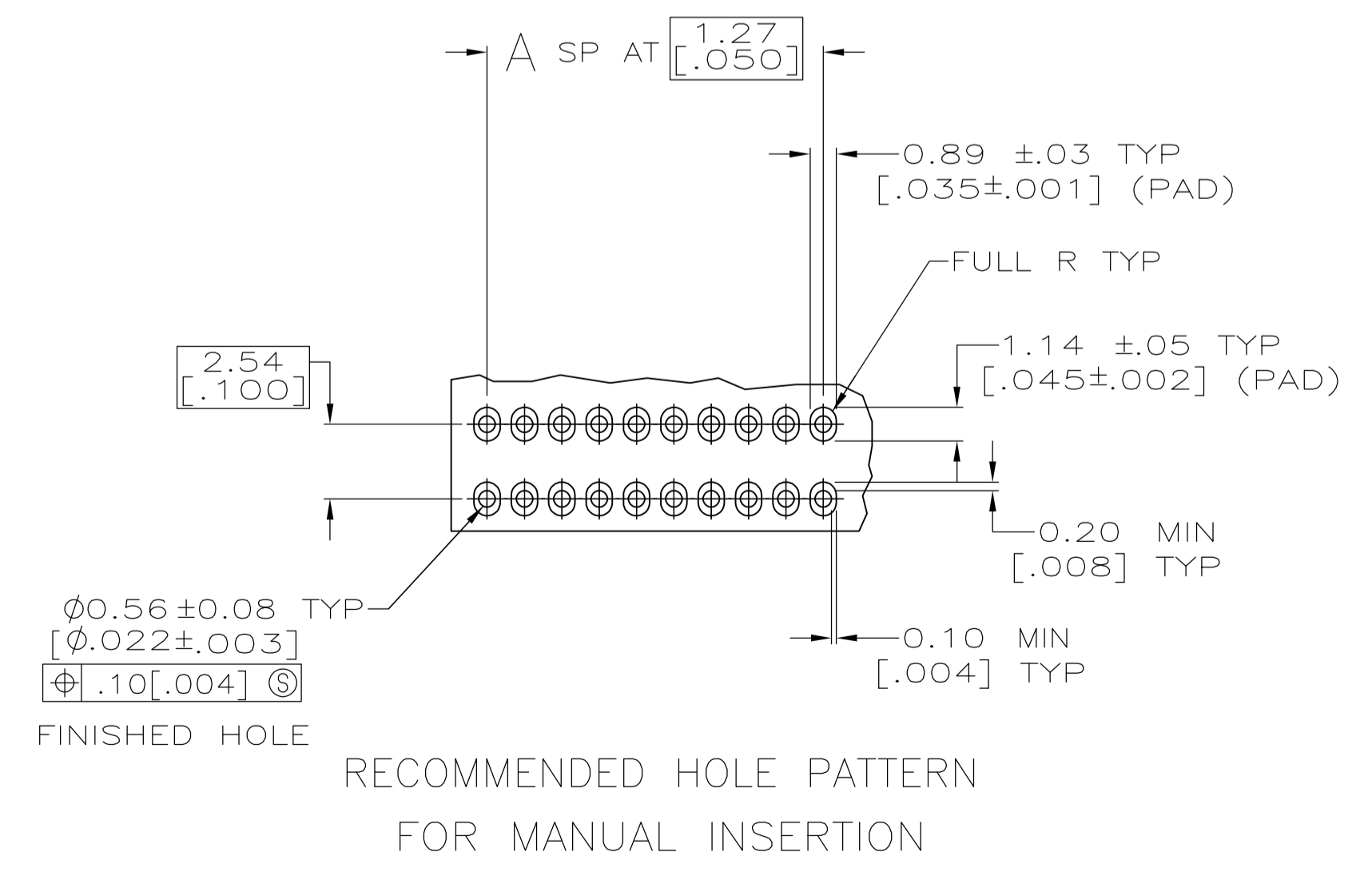


LOC		DIST		REVISIONS				
AD	39	P	F	ZONE	LTR	DESCRIPTION	DATE	APPD
					H	REV PER 0G3C-0538-04	21OCT04	JR/DS
					H1	REV PER ECO-10-003194	08FEB10	KK/HMR



VIEW W
 SCALE 30:1

- ① FLAME REDARTANT THERMOPLASTIC, COLOR - BLACK
- ② COPPER ALLOY
- ③ CONTACTS PLATED WITH .00381[.000150] MIN TIN-LEAD; ALL OVER .00127[.000050] MIN NICKEL
- ④ POINT OF MEASUREMENT FOR PLATING THICKNESS
- ⑤ THE NOTED DIMENSION APPLIES AT THE INTERSECTION OF THE POST AND HOUSING
- ⑥ MAXIMUM CARRIER PROTRUSION BEYOND HOUSING.
- ⑦ CONTACTS PLATED WITH .00381[.000150] MIN TIN; ALL OVER .00127[.000050] MIN NICKEL
- ⑧ OBSOLETE PARTS: OBSOLETE CIS STREAMLINING PER D.RENAUD/D.SINISI



14.35 [.565]	10	22	⑤-104746-2
63.88 [2.515]	49	100	⑤-104746-1
14.35 [.565]	10	22	③ 104746-2
63.88 [2.515]	49	100	③ 104746-1
⑧ SUPERCEDED BY 5-104746-1			
B	A	NO OF POSN	PART NUMBER

DO NOT SCALE PRINT. UNLESS SPECIFIED		DR 10/30/90 KATE HELM		AMP Incorporated Harrisburg, PA 17105-3608	
DIMENSIONS IN mm [INCHES]		CHK 10-31-90 D. GORENC	NAME		
TOLERANCES - ON :		APPD 10-31-90 D. GORENC	HDR ASSY, AMPMODU System 50 RT-ANGLE, UNSHROUDED, DBL-ROW		
2 PLC DEC ±.13[.005]		PRODUCT SPEC	108-1093		
3 PLC DEC ± -		APPLICATION SPEC	114-25031		
ANGLES ± -		WEIGHT -	SIZE D	CAGE CODE 00779	DRAWING NO 104746
MATERIAL		HOUSING: ①	SCALE 5:1	SHEET 1 OF 1	
CONTACT: ②					
FINISH SEE TABLE					

