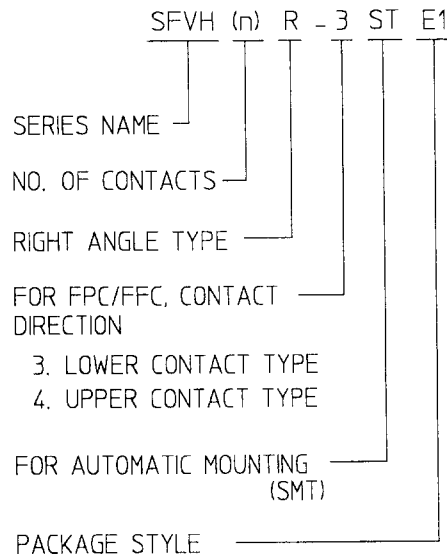


CAT. NO. & DIMENSIONS

NO. OF CONTACTS (n)	CAT. NO.	DIMENSIONS (NOTE2)			
		A ±0.2	B ±0.3	C ±0.15	D ±0.1
40	SFVH40R-3/4STE1	26.1	24.5	19.5	20.7
50	SFVH50R-3/4STE1	31.1	29.5	24.5	25.7

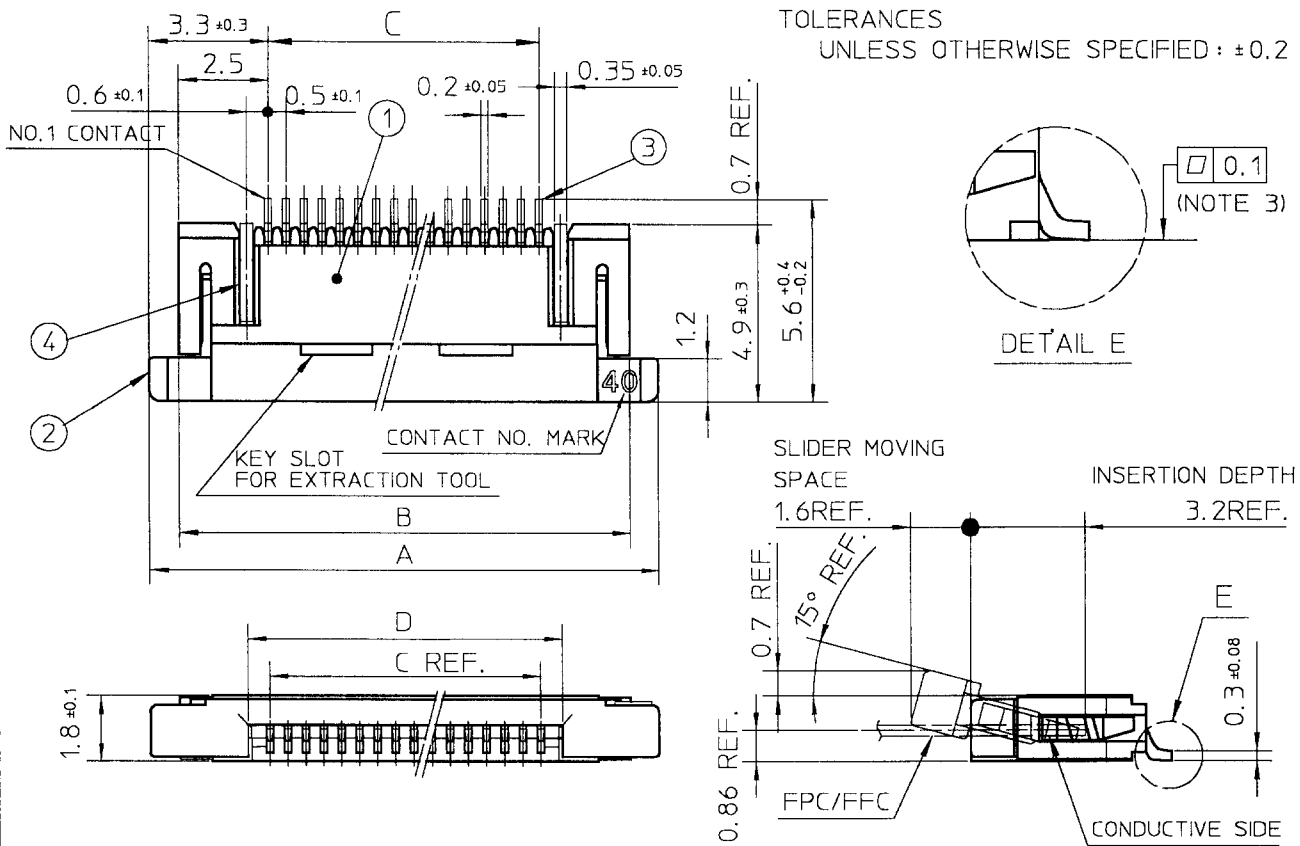
CAT. NO.



NOTES

1. THIS PRODUCT IS THE CONNECTOR USED FOR FPC/FFC AND COPEs WITH AUTOMATIC MOUNTING (SMT).
2. SEE PART DRAWINGS FOR DIMENSIONS A~D.
3. THIS PRODUCT IS THE CONNECTOR WITH CABLE LOCK MECHANISM.

4				SCALE	∞	UNIT	mm	PRODUCT NAME	CAT. NO. TABLE FOR 0.5 mm CONTACT SPACING SMT CONNECTOR	
3				DESIGNED	MAY 27, 1998			CAT. NO.	SFVH__R-3/4STE1	
2				DRAWN	m.koga			DWG. NO.	JSA 94741	REV. 0
1				CHECKED	K. Fukui			FRAMATOME CONNECTORS FCI JAPAN LTD.		
REV.	DATE	REVISED DESCRIPTION	APPROVED	APPROVED						

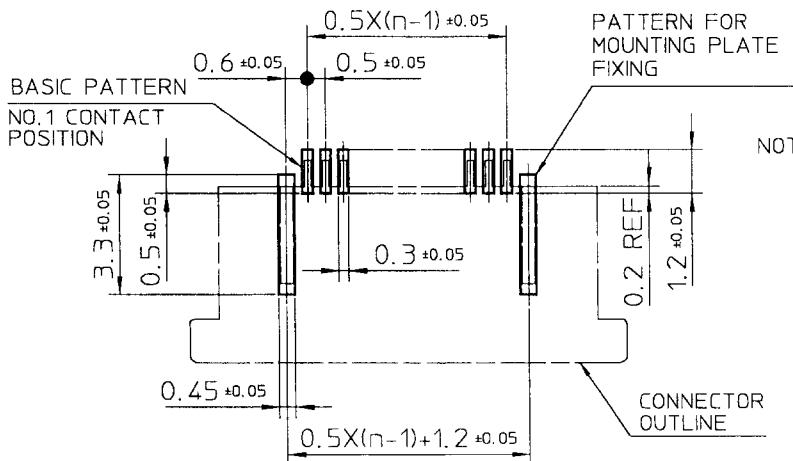


TOLERANCES
UNLESS OTHERWISE SPECIFIED: ±0.2

PT. NO.	PARTS NAME	MATERIAL	Q'TY	NOTE
1	HOUSING	PA6T RESIN GLASS REINFORCED (UL94V-0)	1	COLOR: BLACK
2	SLIDER	PPS RESIN GLASS REINFORCED (UL94V-0)	1	COLOR: BLACK
3	CONTACT	PHOSPHOR BRONZE	n	PLATING: TIN ALLOY
4	MOUNTING PLATE		2	

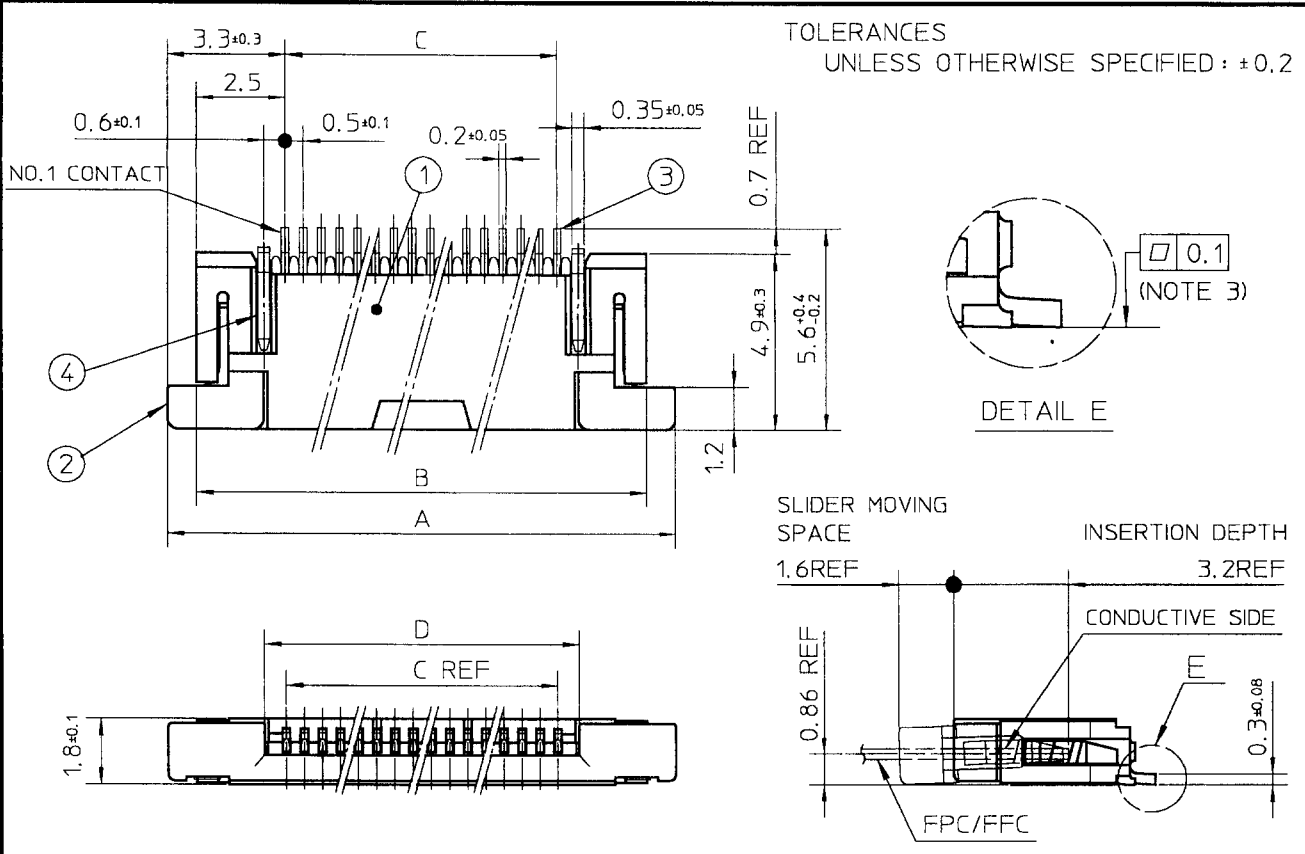
n : NO. OF CONTACTS

RECOMMENDED PC BOARD LAYOUT
(COMPONENT SIDE)



- NOTES
1. THIS PRODUCT IS THE CONNECTOR USED FOR FPC/FFC AND COPES WITH AUTOMATIC MOUNTING (SMT).
 2. THIS PRODUCT IS LOWER CONTACT TYPE CONNECTOR.
 3. FLATNESS FOR CONTACT TERMINAL HOUSING MUST BE WITHIN TOLERANCE IN E PORTION DETAILED DRAWING.

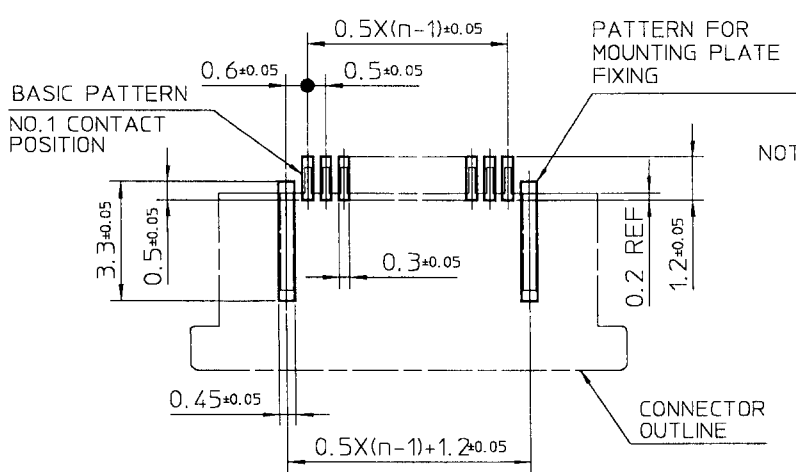
REV.	DATE	REVISED DESCRIPTION	APPROVED	APPROVED	SCALE	UNIT	mm	PRODUCT NAME	CONNECTOR USED FOR FPC/FFC WITH 0.5 mm CONTACT SPACING
4					∞	mm			
3					DESIGNED	MAY 25, 1998		CAT. NO.	SFVH__R-3ST__
2					DRAWN	M.Koga		DWG. NO.	JSA 94742
1	'99-6-14	CHANGED COLOR	<i>M.K</i>	<i>K.S</i>	CHECKED	MAY 25, 1998			REV. 1
						K.Sueki			



PT. NO.	PARTS NAME	MATERIAL	Q'TY	NOTE
1	HOUSING	PA6T RESIN GLASS REINFORCED (UL94V-0)	1	COLOR : BLACK
2	SLIDER	PPS RESIN GLASS REINFORCED (UL94V-0)	1	COLOR : BLACK
3	CONTACT	PHOSPHOR BRONZE	n	PLATING : TIN ALLOY
4	MOUNTING PLATE		2	

n : NO. OF CONTACTS

RECOMMENDED PC BOARD LAYOUT
(COMPONENT SIDE)

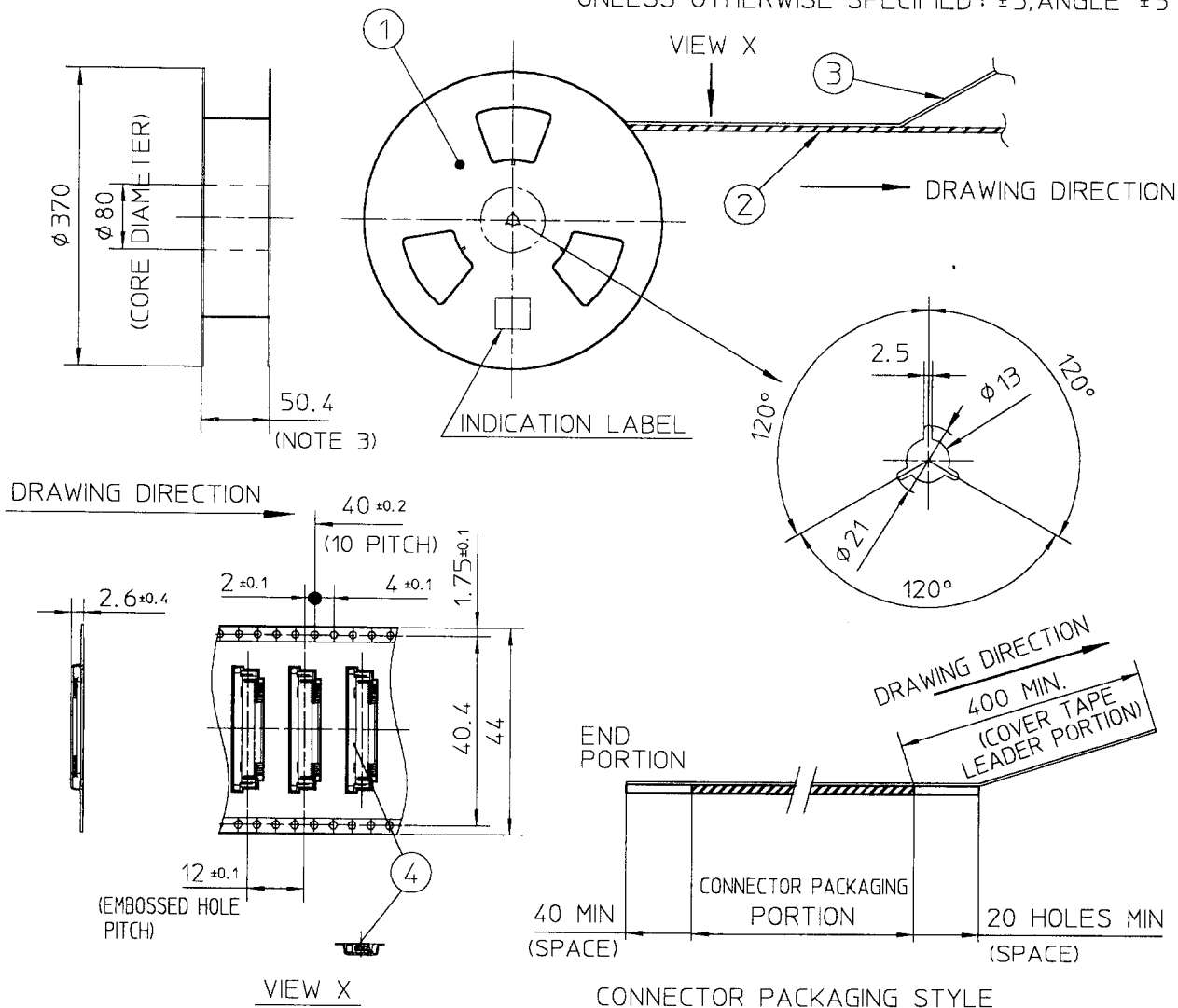


NOTES

1. THIS PRODUCT IS THE CONNECTOR USED FOR FPC/FFC AND COPES WITH AUTOMATIC MOUNTING (SMT).
2. THIS PRODUCT IS UPPER CONTACT TYPE CONNECTOR.
3. FLATNESS FOR CONTACT TERMINAL HOUSING MUST BE WITHIN TOLERANCE IN E PORTION DETAILED DRAWING.

4				SCALE	∞	UNIT	mm	PRODUCT NAME	CONNECTOR USED FOR FPC/FFC WITH 0.5 mm CONTACT SPACING	
3				DESIGNED		MAY 25, 1998		CAT. NO.	SFVH__R-4ST__	
2				DRAWN		M.Koga		DWG. NO.	JSA 94743	REV. 1
1	'99-6-14	CHANGED COLOR	<i>m.k.</i>	CHECKED		MAY 25, 1998				
REV.	DATE	REVISED DESCRIPTION	APPROVED	APPROVED		K.Sueki				

TOLERANCES
UNLESS OTHERWISE SPECIFIED: ± 5 , ANGLE $\pm 5^\circ$



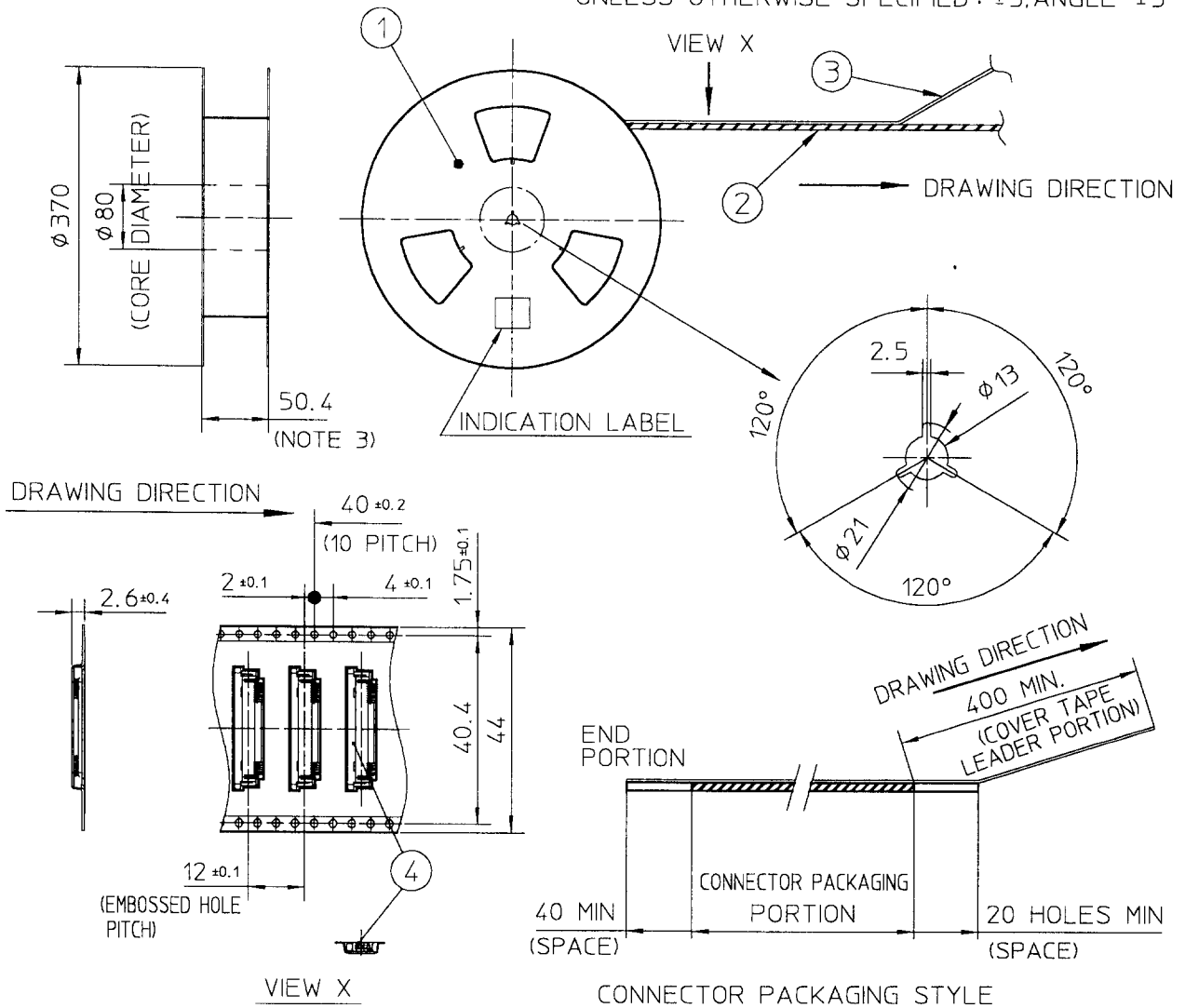
PT. NO.	PARTS NAME	CAT. NO.	MATERIAL	Q'TY	NOTE
1	REEL	_____	CARDBOARD	1	_____
2	PLASTIC (EMBOSS) TAPE	_____	PET RESIN OR PP RESIN	—	COLOR : TRANSPARENCY
3	COVER	_____	POLYESTER	—	COLOR : TRANSPARENCY
4	CONNECTOR	SFVH__R-3ST__	SEE ATTACHED DWG.	3000	LOWER CONTACT TYPE

NOTES

1. THIS IS PLASTIC TAPE PACKAGED CONNECTOR USED FOR FPC/FFC AND COPES WITH AUTOMATIC MOUNTING (SMT).
2. SEE JIS C 0806 (PACKING OF ELECTRONIC COMPONENTS ON CONTINUOUS TAPES (SURFACE MOUNTING DEVICES)) FOR SHAPE AND DIMENSIONS OF PLASTIC (EMBOSS) TAPE AND REEL.
3. THIS DIMENSION IS PORTION OF THE CORE.

REV.	DATE	REVISED DESCRIPTION	APPROVED	APPROVED	SCALE	UNIT	mm	PRODUCT NAME	PLASTIC TAPE PACKAGED 0.5 mm CONTACT SPACING CONNECTOR
4					X				
3					DESIGNED			CAT. NO.	SFVH__R-3STE1
2					DRAWN			DWG. NO.	JSA 94744
1					CHECKED				REV. 0

TOLERANCES
UNLESS OTHERWISE SPECIFIED: ± 5 , ANGLE $\pm 5^\circ$



PT. NO.	PARTS NAME	CAT. NO.	MATERIAL	Q'TY	NOTE
1	REEL	_____	CARDBOARD	1	_____
2	PLASTIC (EMBOSS) TAPE	_____	PET RESIN OR PP RESIN	_____	COLOR : TRANSPARENCY
3	COVER	_____	POLYESTER	_____	COLOR : TRANSPARENCY
4	CONNECTOR	SFVH_R-4ST_	SEE ATTACHED DWG.	3000	UPPER CONTACT TYPE

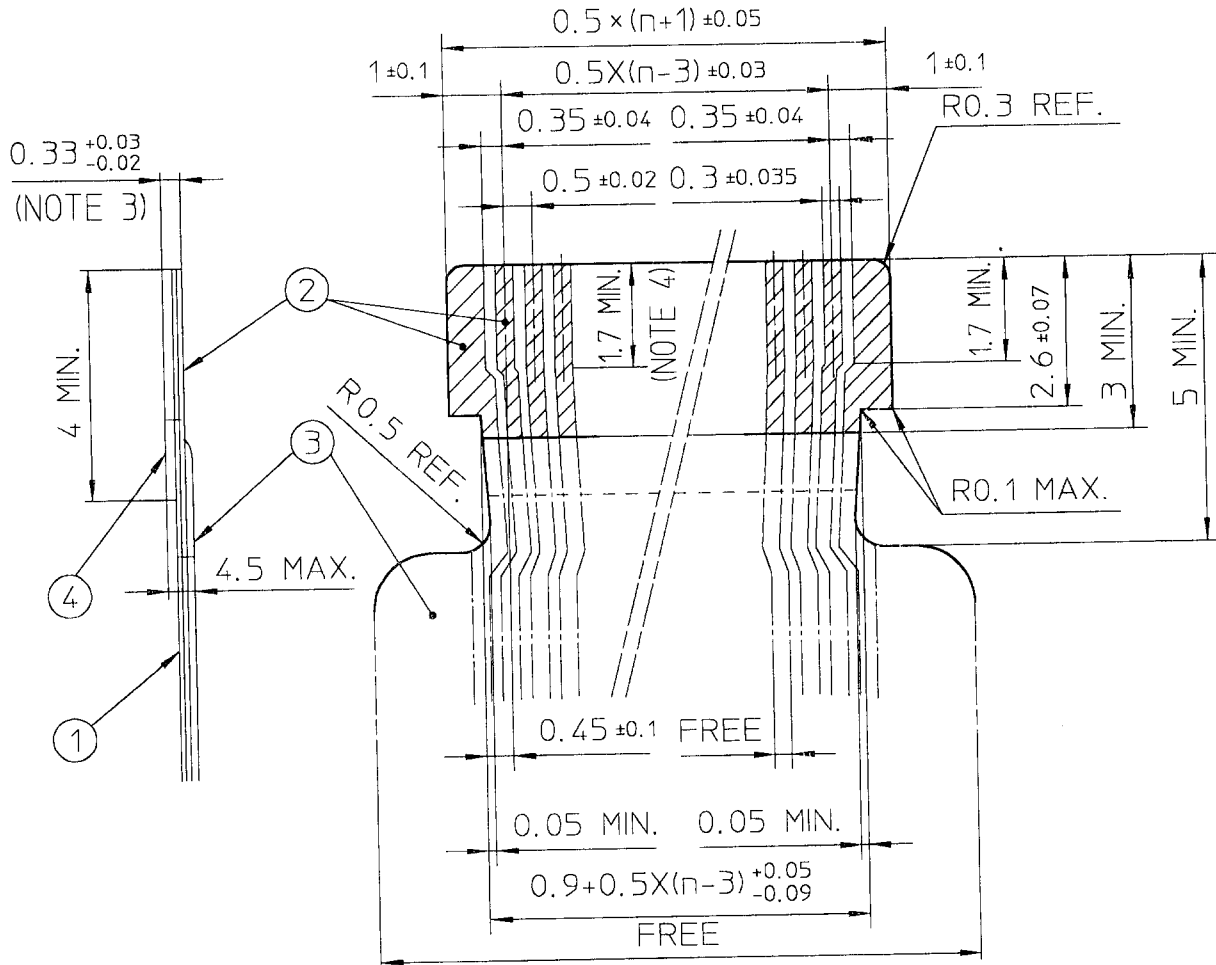
NOTES

1. THIS IS PLASTIC TAPE PACKAGED CONNECTOR USED FOR FPC/FFC AND COPES WITH AUTOMATIC MOUNTING (SMT).
2. SEE JIS C 0806 (PACKING OF ELECTRONIC COMPONENTS ON CONTINUOUS TAPES (SURFACE MOUNTING DEVICES)) FOR SHAPE AND DIMENSIONS OF PLASTIC (EMBOSS) TAPE AND REEL.
3. THIS DIMENSION IS PORTION OF THE CORE.

REV.	DATE	REVISED DESCRIPTION	APPROVED	APPROVED	SCALE	UNIT	mm	PRODUCT NAME	PLASTIC TAPE PACKAGED 0.5 mm CONTACT SPACING CONNECTOR
4					X				
3					DESIGNED			CAT. NO.	SFVH_R-4STE1
2					DRAWN			DWG. NO.	JSA 94745
1					CHECKED				REV. 0

RECOMMENDED CABLE (FPC)

n : NO. OF CONTACTS



PT. NO.	PARTS NAME	MATERIAL	THICKNESS(μm)
1	BASE FILM	POLYIMIDE OR POLYESTER OR EQUAL	25
2	CONDUCTOR	COPPER FOIL(PLATING : SOLDER 1μm MIN.)	35
3	OVERLAY	POLYIMIDE OR POLYESTER OR EQUAL	—
4	SUPPORTING TAPE	POLYESTER OR POLYIMIDE OR EQUAL	188

NOTES

1. NO BURR AT EACH PORTION.
2. NO PEELING IN COMMON USE.
3. TOTAL THICKNESS LIMIT OF EACH MATERIAL (INCLUDING ADHESIVE AGENT) IS SPECIFIED.
4. THIS DIMENSION INDICATES THE RANGE FOR 0.3±0.035 CONDUCTOR WIDTH.

REV.	DATE	REVISED DESCRIPTION	APPROVED	APPROVED	SCALE	UNIT	PRODUCT NAME	REV.
4					χ	mm	RECOMMENDED CABLE (FPC)	
3					DESIGNED	MAY 25, 1998	CAT.NO.	SFVH__R-3/4ST__
2					DRAWN	M. Koga	DWG.NO.	JSA 94746
1	'98-9-11	Changed dim.			CHECKED	MAY 25, 1998		1
						K. Sueki		