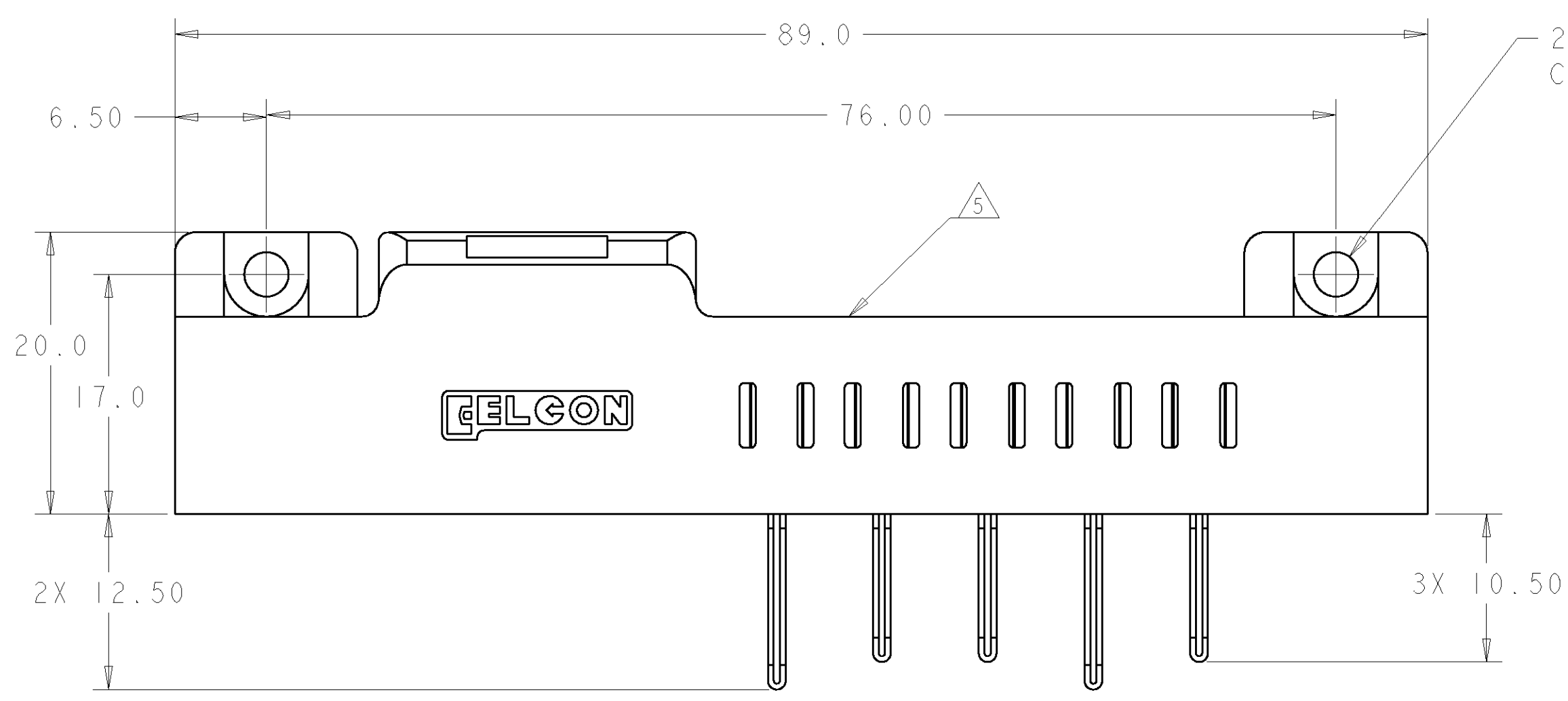


THIS DRAWING IS UNPUBLISHED. RELEASED FOR PUBLICATION 20  
 © COPYRIGHT 20 BY TYCO ELECTRONICS CORPORATION. ALL RIGHTS RESERVED.

| LOC | DIST | REVISIONS |     |             |           |     |      |
|-----|------|-----------|-----|-------------|-----------|-----|------|
| GP  | 00   | P         | LTR | DESCRIPTION | DATE      | DWN | APVD |
|     |      | A         |     | NEW RELEASE | 18SEP2007 | RG  | PD   |



2X Ø3.00 MIN  $\triangle 4$   
 CLEARANCE HOLE

1. PART NUMBER CHANGES AND OR DESIGN CHANGES AFFECTING ITEM INTERCHANGEABILITY REQUIRE PRIOR TYCO ELECTRONICS APPROVAL AND AUTHORIZATION BY REVISION TO THIS DRAWING.

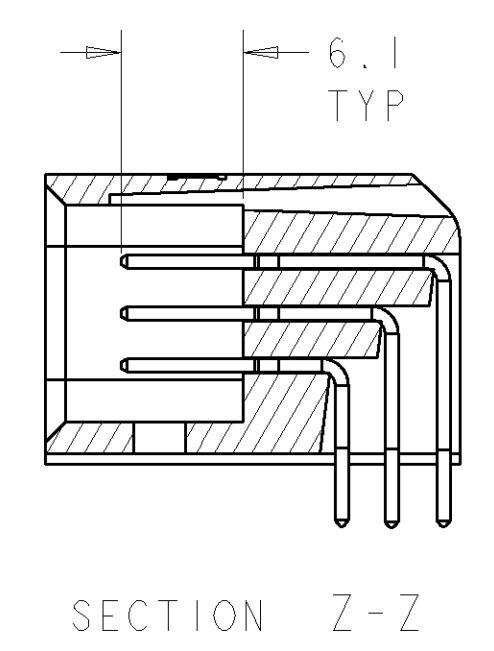
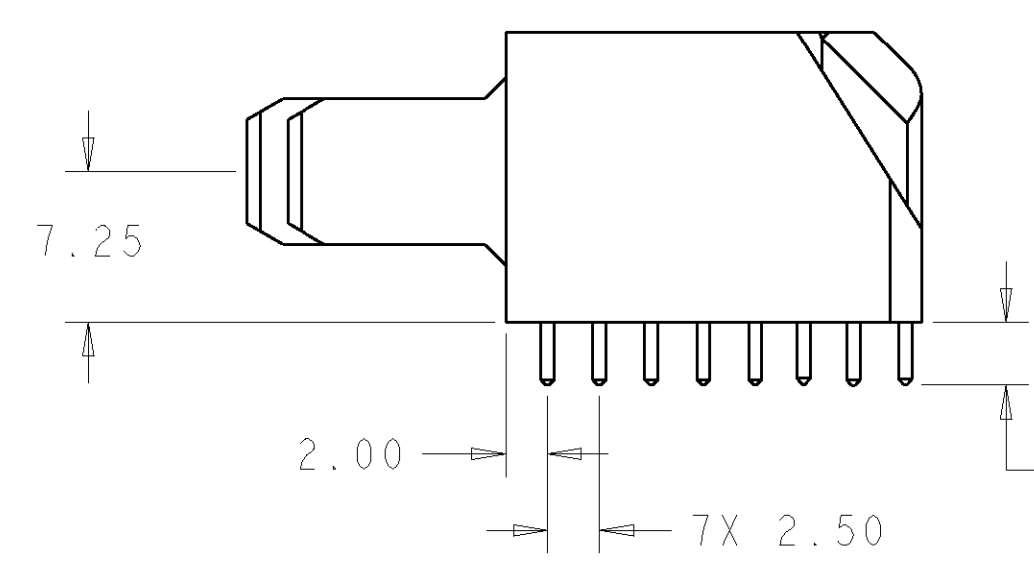
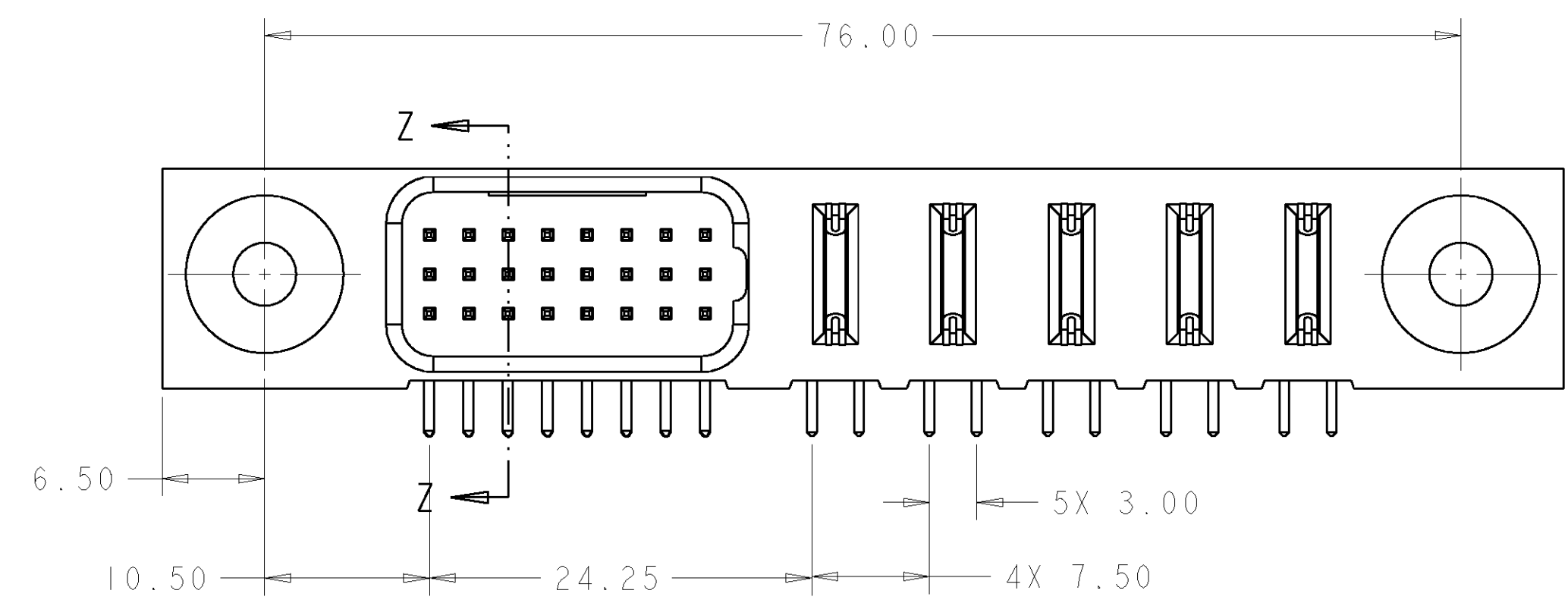
2. MATERIAL:  
 INSULATORS - THERMOPLASTIC, GLASS REINFORCED, COLOR: BLACK, UL94V-0 FLAMMABILITY RATED.  
 SOLDER SIGNAL PINS-BRASS ALLOY  
 CROWN BAND-BERYLLIUM COPPER ALLOY

3. FINISH:  
 CONTACTS - GOLD PLATE 0.75µm MIN. THK., OVER NICKEL 1.27µm MIN. THK  
 SOLDER TAILS, TIN 3.05µm MIN. THK.  
 OVER NICKEL 1.27µm MIN THK.

$\triangle 4$  MOUNTING FLANGES ACCEPT M3 OR #4-40 SCREWS, (USER SUPPLIED)

$\triangle 5$  ITEMS PROVIDED TO THIS SPECIFICATION TO BE PERMANENTLY IDENTIFIED PER THE FOLLOWING IDENTIFIER LABEL

TYCO ELECTRONICS P/N: XXXXXXXX-X  
 DATE CODE (e.g. 0106): YEAR 1 WEEK 1  
 XXXX



|             |             |
|-------------|-------------|
| AS SHOWN    | 6646903-1   |
| DESCRIPTION | PART NUMBER |

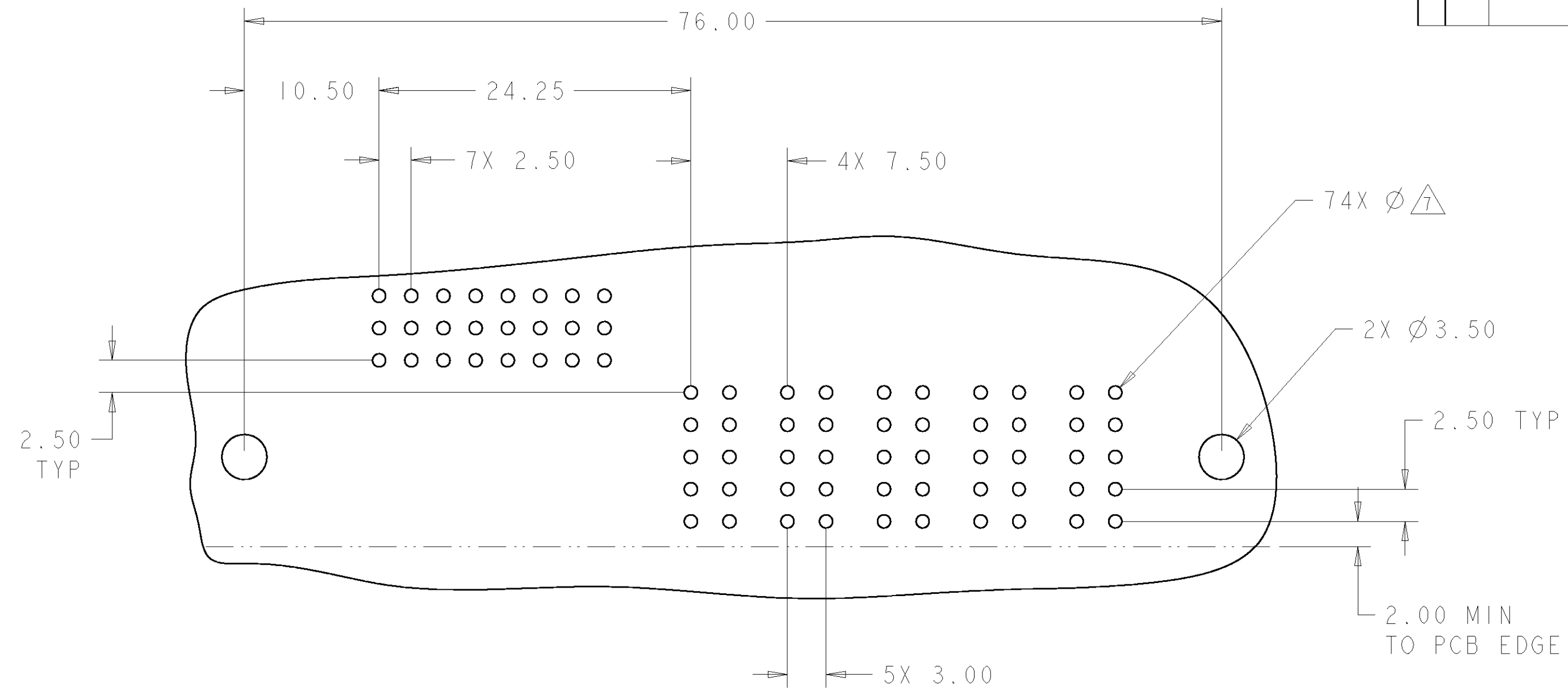
|   |        |                              |
|---|--------|------------------------------|
| THIS DRAWING IS A CONTROLLED DOCUMENT FOR TYCO ELECTRONICS CORPORATION. IT IS SUBJECT TO CHANGE AND THE CONTROLLING ENGINEERING ORGANIZATION SHOULD BE CONTACTED FOR THE LATEST REVISION. |        | DWN R. GRZYBOWSKI 18SEP2007  |
| DIMENSIONS: mm  |        | CHK P. DAMATO 18SEP2007      |
| TOLERANCES UNLESS OTHERWISE SPECIFIED:  |        | APVD S. FLICKINGER 18SEP2007 |
| 0 PLC   | ±      | PRODUCT SPEC                 |
| 1 PLC   | ±.5    | APPLICATION SPEC             |
| 2 PLC   | ±.25   |                              |
| 3 PLC   | ±      |                              |
| 4 PLC   | ±      |                              |
| ANGLES  | ±3     |                              |
| MATERIAL  | FINISH | WEIGHT                       |
|   |        |                              |
| CUSTOMER DRAWING  |        |                              |

|   |            |      |               |
|---|------------|------|---------------|
| Tyco Electronics<br>Harrisburg, PA 17105-3608         |            | NAME | RESTRICTED TO |
| PIN CONNECTOR, RIGHT ANGLE<br>SOLDER TAILS<br>FLATPAQ |            | SIZE |               |
| CAGE CODE   | DRAWING NO | REV  |               |
| A200779   | 6646903    | A    |               |
| SCALE   | SHEET      | OF   | REV           |
| 3:1   | 1          | 3    | A             |

**ELCON FLATPAQ**

THIS DRAWING IS UNPUBLISHED. RELEASED FOR PUBLICATION 20  
 © COPYRIGHT 20 BY TYCO ELECTRONICS CORPORATION. ALL RIGHTS RESERVED.

| LOC | DIST | REVISIONS   |             |     |      |
|-----|------|-------------|-------------|-----|------|
| P   | LTR  | DESCRIPTION | DATE        | DWN | APVD |
| GP  | 00   | -           | SEE SHEET 1 | -   | -    |
|     |      |             |             |     |      |
|     |      |             |             |     |      |



PRINTED CIRCUIT LAYOUT  
 COMPONENT SIDE

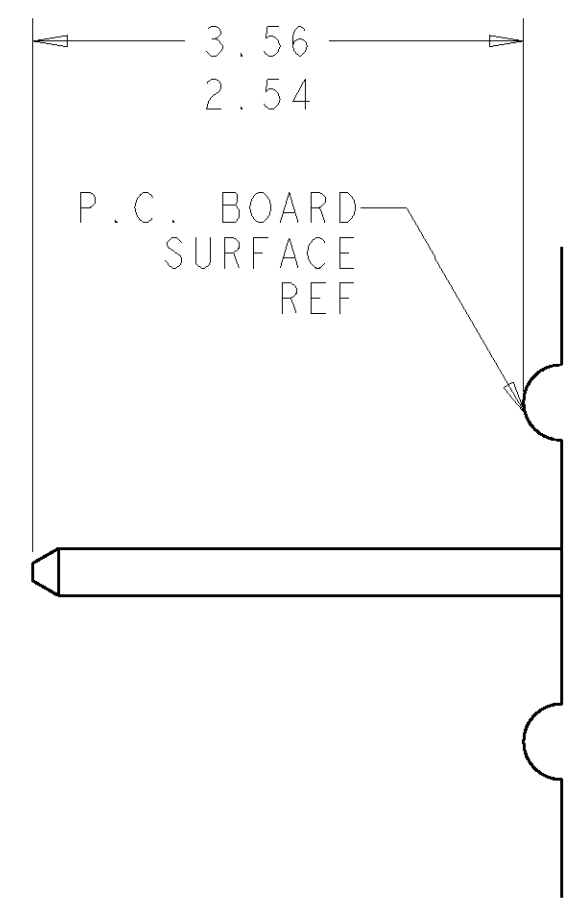
| CONNECTOR | CATALOG MODULE # | QTY | SIZE NO.              | CONTACT QTY | MATING PIN                   | MAX. CURRENT (PER CONTACT) | CONTACT SPACING | VOLTAGE RATING |
|-----------|------------------|-----|-----------------------|-------------|------------------------------|----------------------------|-----------------|----------------|
| PIN       | FP151            | 3   | 8                     | 3           | 1.25 X 7.00<br>[.049 X .276] | 35 amps                    | 7.50 [.2953]    | 250            |
|           | FP152            | 2   | 8                     | 2           | 1.25 X 7.00<br>[.049 X .276] | 35 amps                    | 7.50 [.2953]    | 600            |
|           | FP302            | 1   | 22                    | 24          | .64 [.025] SQ.               | 3 amps                     | 2.50 [.0984]    | 125 VOLTS      |
|           | FP500            | 1   | LEFT MOUNTING FLANGE  |             |                              |                            |                 |                |
|           | FP501            | 1   | RIGHT MOUNTING FLANGE |             |                              |                            |                 |                |

|  |   |   |  |
|--|---|---|--|
| <small>THIS DRAWING IS A CONTROLLED DOCUMENT FOR TYCO ELECTRONICS CORPORATION. IT IS SUBJECT TO CHANGE AND THE CONTROLLING ENGINEERING ORGANIZATION SHOULD BE CONTACTED FOR THE LATEST REVISION.</small> |   | DWN<br><b>R. GRZYBOWSKI</b><br>18SEP2007<br>CHK<br><b>P. DAMATO</b><br>18SEP2007<br>APVD<br><b>S. FLICKINGER</b><br>18SEP2007 | Tyco Electronics<br>Harrisburg, PA 17105-3608                                  |
| DIMENSIONS:<br>mm<br>  | TOLERANCES UNLESS OTHERWISE SPECIFIED:<br>0 PLC ±.5<br>1 PLC ±.5<br>2 PLC ±.25<br>3 PLC ±.5<br>4 PLC ±.5<br>ANGLES ±3<br>FINISH | NAME<br><b>PIN CONNECTOR, RIGHT ANGLE<br/>         SOLDER TAILS<br/>         FLATPAQ</b>                                      | SIZE<br><b>A200779</b>   |
| MATERIAL   |   | PRODUCT SPEC<br>APPLICATION SPEC<br>WEIGHT<br>CUSTOMER DRAWING  | DRAWING NO.<br><b>6646903</b><br>RESTRICTED TO<br>SCALE 3:1 SHEET 2 OF 3 REV A |

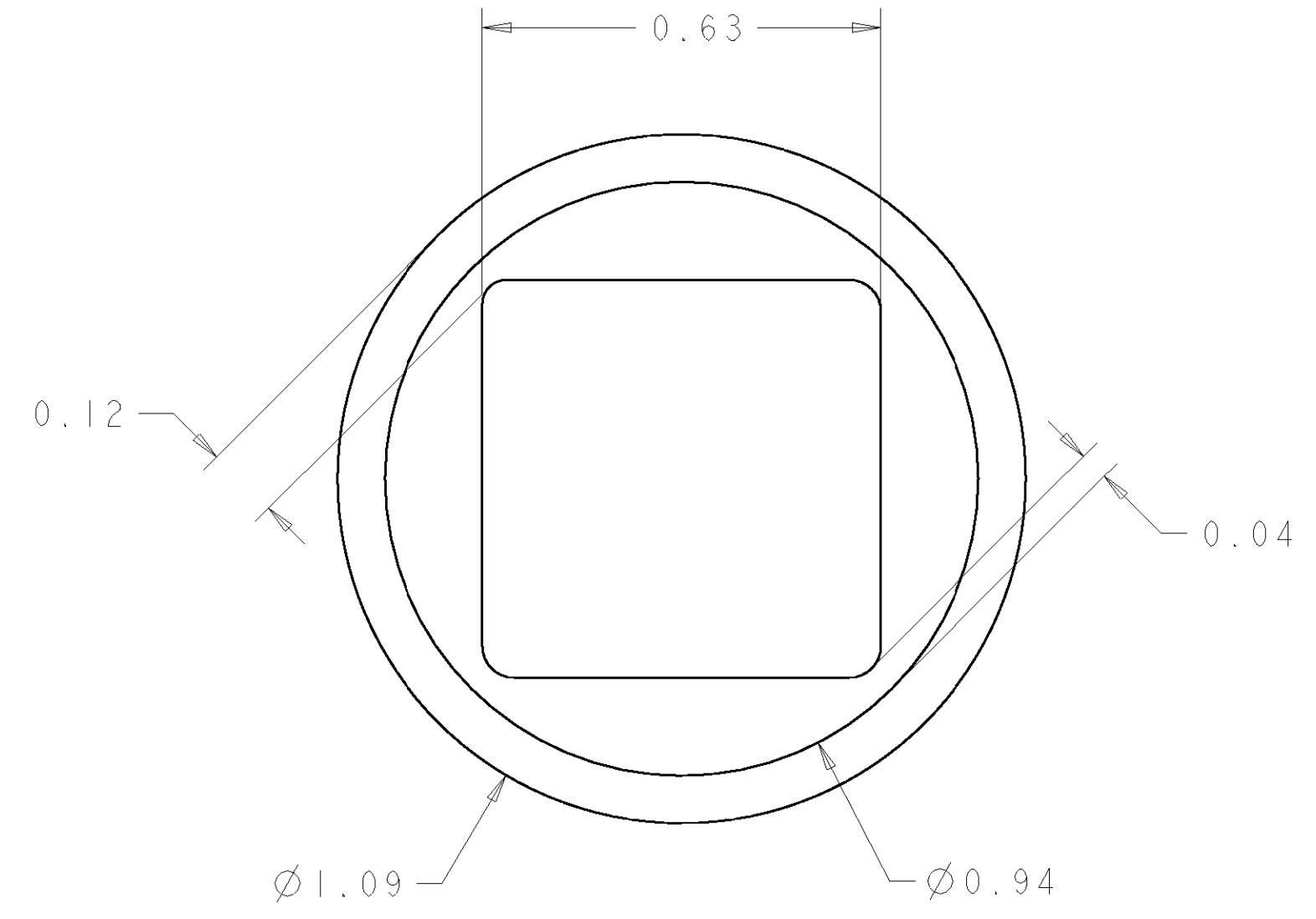
**ELCON** **FLATPAQ**

THIS DRAWING IS UNPUBLISHED. RELEASED FOR PUBLICATION 20  
 © COPYRIGHT 20 BY TYCO ELECTRONICS CORPORATION. ALL RIGHTS RESERVED.

| LOC | DIST | REVISIONS   |             |     |      |
|-----|------|-------------|-------------|-----|------|
| P   | LTR  | DESCRIPTION | DATE        | DWN | APVD |
| GP  | 00   | -           | SEE SHEET 1 | -   | -    |
|     |      |             |             |     |      |
|     |      |             |             |     |      |



6. SOLDER PIN DETAIL  
SCALE 10:1



**△ SOLDER TERMINATION AREA**  
 SCALE 40:1  
 RECOMMENDED PRINTED CIRCUIT SOLDER HOLE  
 FINISHED HOLE: Ø1.02 [.040] ±.08 [.003]  
 DRILLED HOLE: Ø1.15 [.0453] ±.013 [.0005]  
 COPPER PLATE: .025 [.0010] MIN.  
 TIN PLATE: .008 [.0003] MIN. (PER SURFACE)

**ELCON FLATPAQ**

|   |   |   |  |
|---|---|---|--|
| <small>THIS DRAWING IS A CONTROLLED DOCUMENT FOR TYCO ELECTRONICS CORPORATION<br/>         IT IS SUBJECT TO CHANGE AND THE CONTROLLING ENGINEERING ORGANIZATION<br/>         SHOULD BE CONTACTED FOR THE LATEST REVISION.</small> |   | DWN R.GRZYBOWSKI 18SEP2007<br>CHK P.DAMATO 18SEP2007<br>APVD S.FLICKINGER 18SEP2007 | <b>Tyco Electronics</b><br>Tyco Electronics<br>Harrisburg, PA 17105-3608 |
| DIMENSIONS:<br>mm<br>   | TOLERANCES UNLESS OTHERWISE SPECIFIED:<br>0 PLC ±.5<br>1 PLC ±.5<br>2 PLC ±.25<br>3 PLC ±.5<br>4 PLC ±.5<br>ANGLES ±3<br>FINISH | NAME<br>PIN CONNECTOR, RIGHT ANGLE<br>SOLDER TAILS<br>FLATPAQ                       | SIZE<br>A200779  |
| MATERIAL  |   | PRODUCT SPEC<br>APPLICATION SPEC<br>WEIGHT<br>CUSTOMER DRAWING                      | DRAWING NO<br>C-6646903<br>SCALE 3:1 SHEET 3 OF 3 REV A                  |