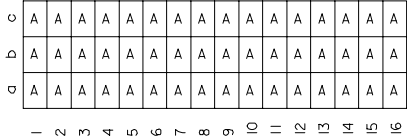


20 19 18 17 16 15 14 13 12 11 9 8 7 6 5 4 3 2 1

VIEW ON MATING SIDE



A = 48 STANDARD CONTACTS L = 2.9

MARKING	STANDARD
PERFORMANCE LEVEL	G3/0 = CONTACT AREA LEVEL3 / TERMINATION TIN
FLUX PROOF	NO
FIXING CLIP	NO
DIMENSIONS	E-85013-0002 SHT 1-2

A	G3/0	a1-16 b1-16 c1-16
CONTACT SYMBOL	PERFORMANCE LEVEL	CONTACT POSITION NUMBER

SL. NO.	DESCRIPTION	CONTACT SYMBOL	PART NUMBER	QTY
1	HOUSING		36520-0002	1
2	TERMINAL	A	36527-0005	48

EC NO. I 2002-XXXX DRAWN: S 31/03/04 CHK: G.L. 31/03/04 APPR: L. 31/03/04	QUALITY SYMBOLS	GENERAL TOLERANCES: (UNLESS SPECIFIED)	SCALE	DESIGN UNITS	DIMENSIONS:		SHT	REV	
	MAJOR			<input checked="" type="checkbox"/> MM <input type="checkbox"/> INCH	<input type="checkbox"/> MM INCH	<input type="checkbox"/> INCH MM	<input checked="" type="checkbox"/> MM ONLY	REVISE ON CAD ONLY	
	CRITICAL								
A	DESCRIPTION	4 PLACES ±0. ±	DRAWN BY & DATE	N.S. 31/03/04	TITLE: 48 POS MALE CONNECTOR				
		3 PLACES ±0. ±	CHECKED BY & DATE	G.L. 31/03/04	ACCORDING DIN 41612 STYLE R/2				
		2 PLACES ±0. ±	APPROVED BY & DATE	G.L. 31/03/04	CONTACTS ARRANGEMENT				
		1 PLACE ±0. ±			MOLEX INCORPORATED				
		ANGULAR ±	CAD FILENAME	E-85013-3196.S01	MATERIAL NO.	85013-3196	DRAWING NO.	E-85013-3196	
		DRAFT WHERE APPLICABLE MUST REMAIN WITHIN DIMENSIONS	THIS DRAWING CONTAINS INFORMATION THAT IS PROPRIETARY TO MOLEX INCORPORATED AND SHOULD NOT BE USED WITHOUT WRITTEN PERMISSION.						SHEET NO. 1 OF 1
								SIZE D	

19 18 17 16 15 14 13 12 11 10 9 8 7 6 5 4 3 2 1

20 19 18 17 16 15 14 13 12 11 9 8 7 6 5 4 3 2 1

VIEW ON MATING SIDE

○	A	A	A	A	A	A	A	A	A	A	A	A	A	A	A	A	A	A	A
○	A	A	A	A	A	A	A	A	A	A	A	A	A	A	A	A	A	A	A
○	A	A	A	A	A	A	A	A	A	A	A	A	A	A	A	A	A	A	A

— 2 3 4 5 6 7 8 9 10 = 11 12 13 14 15 16

A = 48 STANDARD CONTACTS L = 2.9

MARKING	STANDARD
PERFORMANCE LEVEL	G3/0 = CONTACT AREA LEVEL3 / TERMINATION TIN
FLUX PROOF	NO
FIXING CLIP	NO
DIMENSIONS	SD-85013-0002 SHT 1

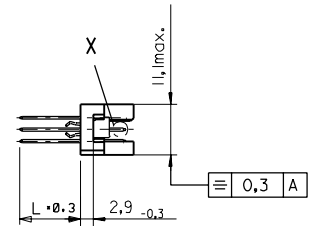
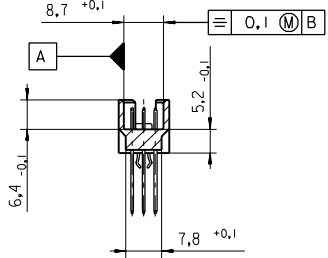
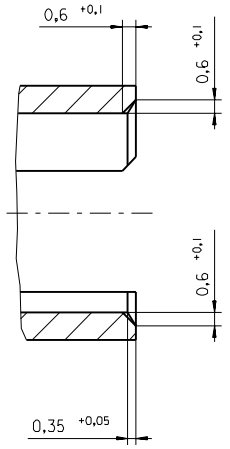
A	G3/0	a1-16	b1-16	c1-16
CONTACT SYMBOL	PERFORMANCE LEVEL	CONTACT POSITION NUMBER		

EC NO. I 2002-XXXX DRAWN: S 31/03/04 CHK: G.L. 31/03/04 APPR: L.L. 31/03/04	QUALITY SYMBOLS MAJOR CRITICAL	GENERAL TOLERANCES: (UNLESS SPECIFIED)		SCALE	DESIGN UNITS	THIRD ANGLE PROJECTION	DIMENSIONS:			SHT	REV	
				<input type="checkbox"/> MM <input type="checkbox"/> INCH	<input checked="" type="checkbox"/> MM <input type="checkbox"/> INCH		<input type="checkbox"/> MM <input type="checkbox"/> INCH	<input type="checkbox"/> MM <input checked="" type="checkbox"/> INCH ONLY	REVISE ON CAD ONLY			
		4 PLACES	±0.	±.	DRAWN BY & DATE		TITLE: 48 POS MALE CONNECTOR					
		3 PLACES	±0.	±.	N.S. 31/03/04		ACCORDING DIN 41612 STYLE R/2					
2 PLACES	±0.	±.	CHECKED BY & DATE	CONTACTS ARRANGEMENT								
1 PLACE	±0.	±.	G.L. 31/03/04	APPROVED BY & DATE								
			G.L. 31/03/04	MATERIAL NO. 85013-3196								
				CAD FILENAME	MATERIAL NO.	DRAWING NO.	SHEET NO.					
				S850133196.S01	85013-3196	SD-85013-3196	1 OF 1					
DRAFT WHERE APPLICABLE MUST REMAIN WITHIN DIMENSIONS		THIS DRAWING CONTAINS INFORMATION THAT IS PROPRIETARY TO MOLEX INCORPORATED AND SHOULD NOT BE USED WITHOUT WRITTEN PERMISSION.									SIZE	D

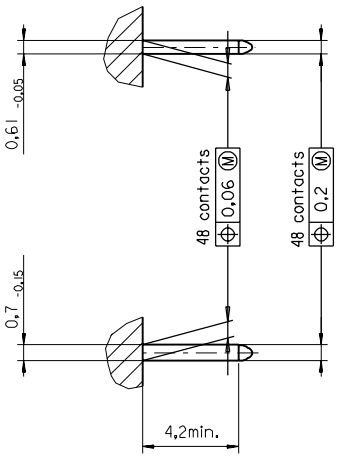
19 18 17 16 15 14 13 12 11 10 9 8 7 6 5 4 3 2 1

PART NO.  
DWG. NO.

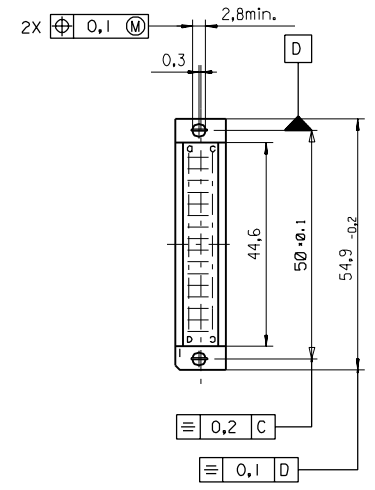
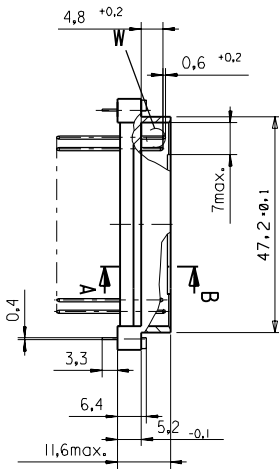
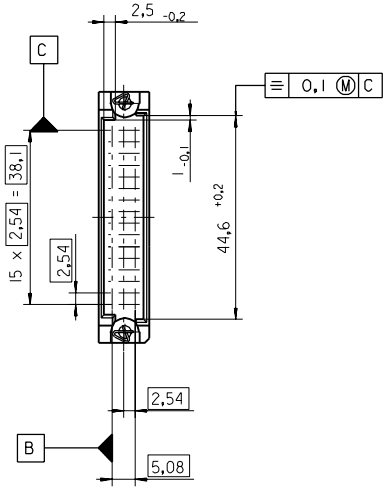
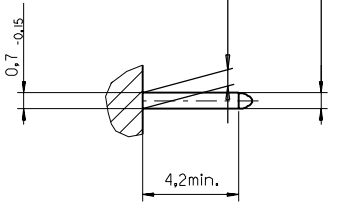
Section A - B  
5:1



View X  
5:1



View W  
5:1



FIRST ANGLE PROJECTION		REVISE ONLY ON CAD SYSTEM		SH.	REV.
first release see ECN No. 1887	LTR	UNLESS OTHERWISE SPECIFIED TOLERANCES: ANGULAR ±2°	DRWG BY	CAD/CAM PROJECT NAME	
		INCH METRIC	Ca	85013000 821	THIS DRAWING CONTAINS INFORMATION THAT IS PROPRIETARY TO MOLEX INC. & SHOULD NOT BE USED WITHOUT WRITTEN PERMISSION
3 PLACE ± . ±	FOR PREVIOUS REVISIONS SEE MRI LIST	2 PLACE ± . ±	CHK'D BY	TITLE	
1 PLACE ± . ±		1 PLACE ± . ±	KN	48 pos. Male connector acc. DIN 41612 style R/2 Dimensions	
DRAFT WHERE APPLICABLE MUST REMAIN WITHIN DIMENSIONS		DESIGN DIMENSION	APP'D BY	SHEET NO. DATE	
		<input checked="" type="checkbox"/> MM		1 OF 95/06/08	
		<input type="checkbox"/> IN.	SCALE	PART NO. DWG NO. SIZE	
EQUIVALENT DIMENSION		<input type="checkbox"/> MM		SDA-85013-0002 B	
IF TWO DIMENSIONS ARE SHOWN THE UPPER IS THE DESIGN DIMENSION, LOWER IS SECONDARY		<input type="checkbox"/> IN.			

VIEW ON MATING SIDE

⊂	A	A	A	A	A	A	A	A	A	A	A	A	A	A	A	A	A	A	A
⊃	A	A	A	A	A	A	A	A	A	A	A	A	A	A	A	A	A	A	A
⊄	A	A	A	A	A	A	A	A	A	A	A	A	A	A	A	A	A	A	A

1 2 3 4 5 6 7 8 9 10 11 12 13 14 15 16 17 18 19 20 21 22 23 24 25 26 27 28 29 30 31 32 33 34 35 36 37 38 39 40 41 42 43 44 45 46 47 48

A = 48 STANDARD CONTACTS L=4,5

Marking	Standard
Performance level	G3/0 = Contact area perform. level3 / Termination tin
Flux proof	no
Fixing clip	no
Dimensions	SDA-85013-0002 sht.1
Technical Data	PS-85013-0001

A	G3/0	a1-16	b1-16	c1-16
Contact symbol	Perform. level	Contact position number		

ECN No. MC1998-2626 first release	REVISIONS		FOR PREVIOUS REVISIONS SEE MRI LIST	
	LTR	REVISIONS		
UNLESS OTHERWISE SPECIFIED TOLERANCES: ANGULAR ± 2° INCH METRIC		DRWG BY	SIGN	CAD/CAM PROJECT NAME
3 PLACE ± .	±	Ca		s8501331
2 PLACE ± .	±	CHK'D BY	SIGN	s91
1 PLACE ± .	±	KN		
DRAFT WHERE APPLICABLE MUST REMAIN WITHIN DIMENSIONS		APP'D BY	SIGN	TITLE
DESIGN DIMENSION	<input type="checkbox"/> MM <input type="checkbox"/> IN.	JB		48 pos. Male connector acc. DIN 41612 style R/2 contacts arrangement
EQUIVALENT DIMENSION	<input type="checkbox"/> MM <input type="checkbox"/> IN.	SCALE		MOLEX EUROPE
IF TWO DIMENSIONS ARE SHOWN, THE UPPER IS THE DESIGN DIMENSION, LOWER IS SECONDARY		THIS DRAWING CONTAINS INFORMATION THAT IS PROPRIETARY TO MOLEX INC. & SHOULD NOT BE USED WITHOUT WRITTEN PERMISSION		
		SHEET NO. DATE		SH. REV.
		1 OF 1 97/10/24		
		PART NO. DWG NO.		SIZE
		85013-3196 SDA-85013-3196		A