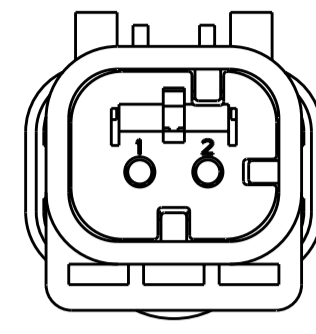
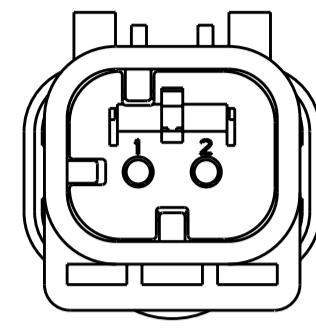


THIS DRAWING IS UNPUBLISHED. RELEASED FOR PUBLICATION
 © COPYRIGHT 2003 BY TYCO ELECTRONICS CORPORATION. ALL RIGHTS RESERVED.

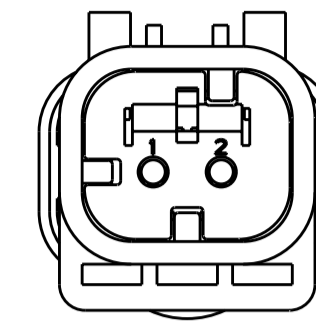
LOC		DIST		REVISIONS			
P	LTR	DESCRIPTION	DATE	DWN	APVD		
	BI	REVISED PER ECR-10-019377	30SEP2010	HMR	TM		



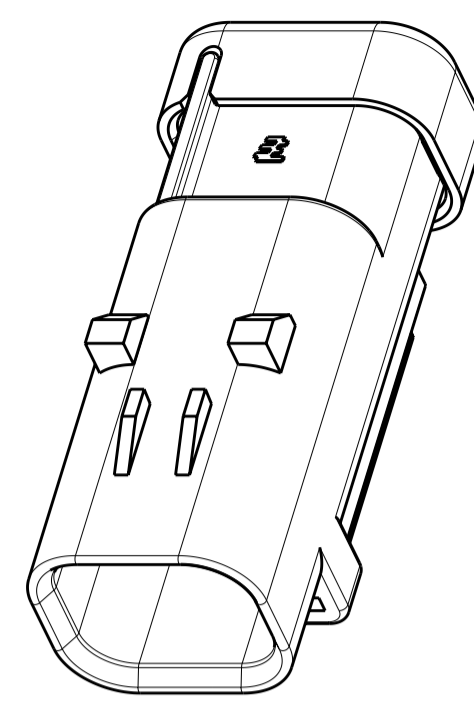
1717672-2
SCALE 2:1



1717672-3
SCALE 2:1

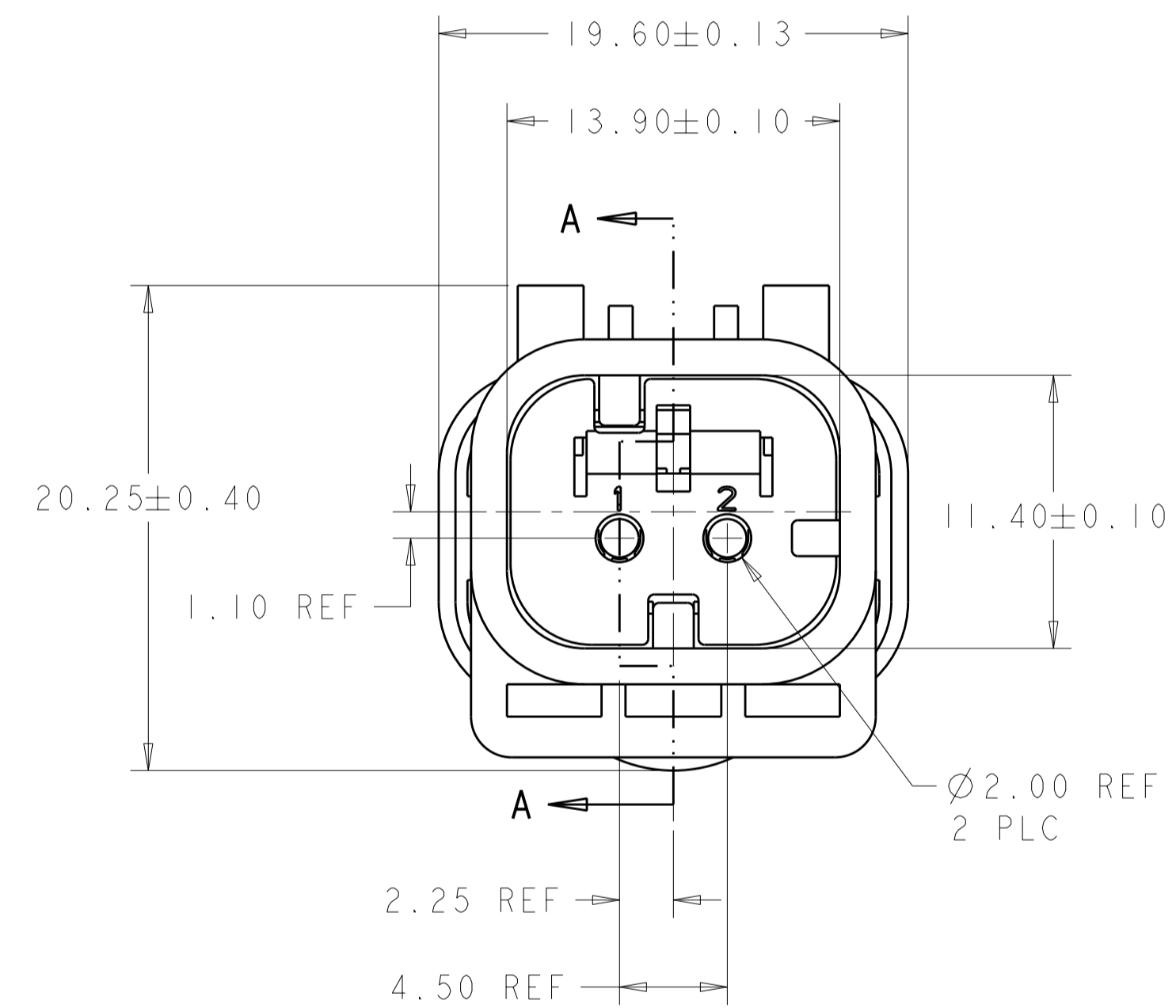


1717672-4
SCALE 2:1

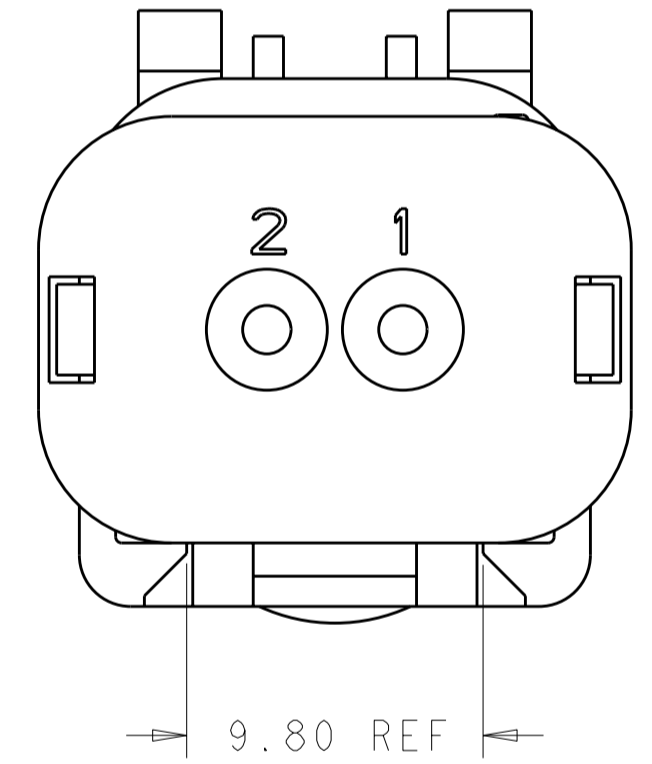
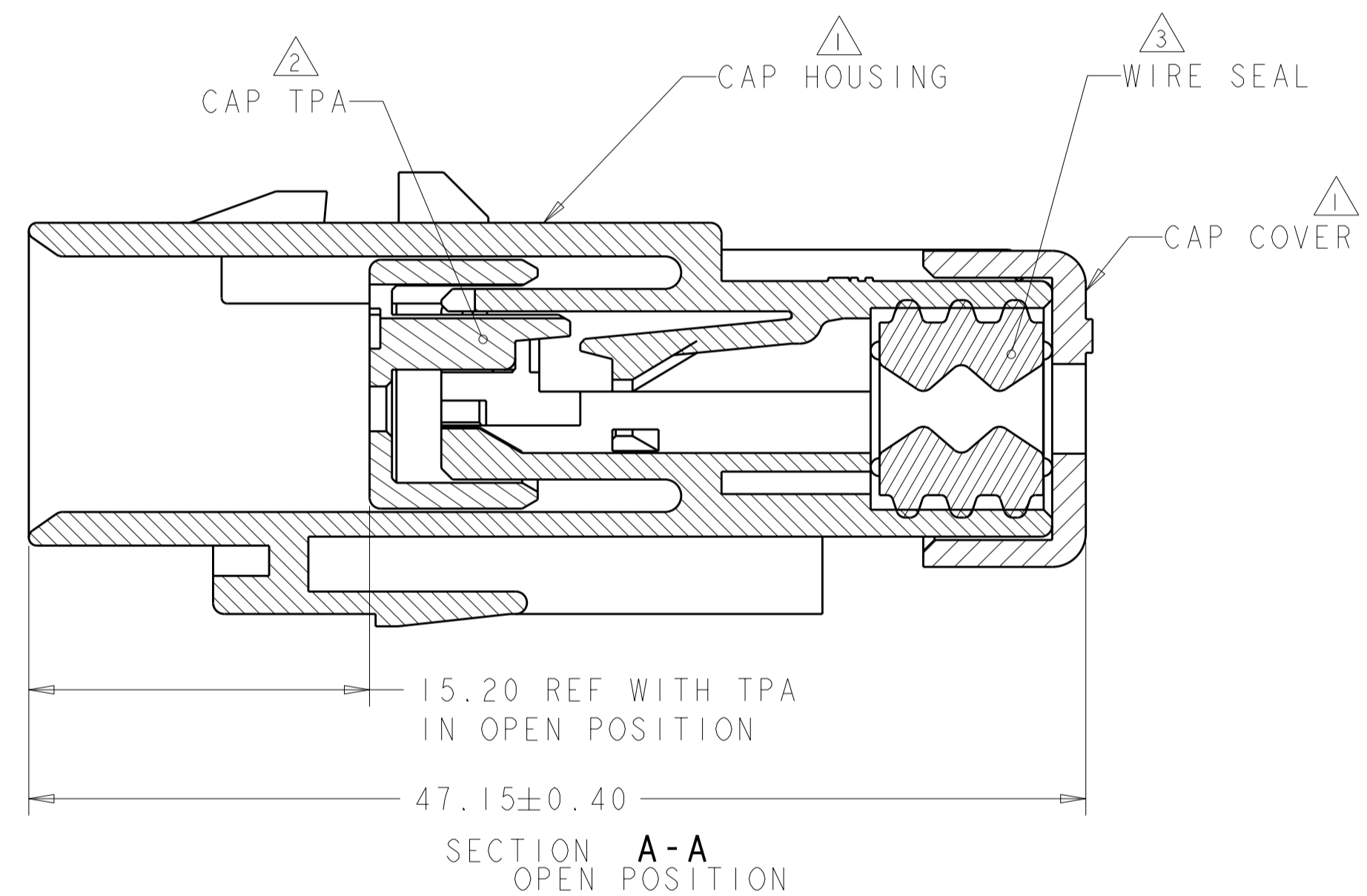


SCALE 2:1

- ① MATERIAL: 15% GLASS FILLED THERMOPLASTIC
COLOR: BLACK
- ② MATERIAL: 15% GLASS FILLED THERMOPLASTIC
COLOR: (SEE TABLE)
- ③ MATERIAL: SILICONE
COLOR: RED
- 4. WIRE INSULATION RANGE: $\varnothing 2.24 \sim \varnothing 3.94$



1717672-1 SHOWN



GREEN	1717672-4
YELLOW	1717672-3
GRAY	1717672-2
RED	1717672-1
TPA COLOR	PART NUMBER

THIS DRAWING IS A CONTROLLED DOCUMENT FOR TYCO ELECTRONICS CORPORATION. IT IS SUBJECT TO CHANGE AND THE CONTROLLING ENGINEERING ORGANIZATION SHOULD BE CONTACTED FOR THE LATEST REVISION.		DWN Y. KATO 15JAN2004	Tyco Electronics AMP K.K. Kawasaki, Japan	
DIMENSIONS: mm		CHK S. MANABE 15JAN2004	NAME CAP ASSY, 2 POS. BRACKET REVERSE TYPE AMPSEAL 16	
TOLERANCES UNLESS OTHERWISE SPECIFIED: 0 PLC \pm 1 PLC \pm 2 PLC \pm 3 PLC \pm 4 PLC \pm ANGLES \pm FINISH		APVD S. MANABE 15JAN2004	RESTRICTED TO	
MATERIAL		PRODUCT SPEC -	SIZE A2	CAGE CODE 00779
		APPLICATION SPEC -	DRAWING NO 1717672	REV BI
		WEIGHT -	SCALE 4:1	SHEET 1
		CUSTOMER DRAWING	OF 1	