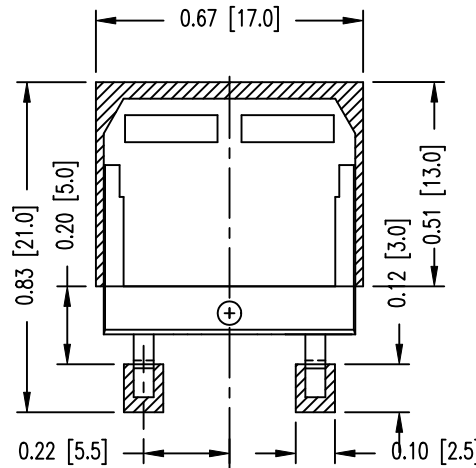
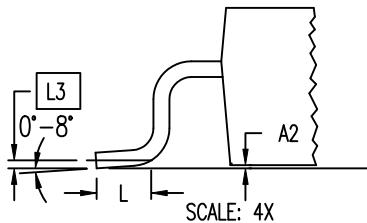
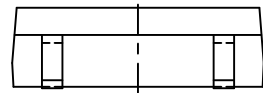
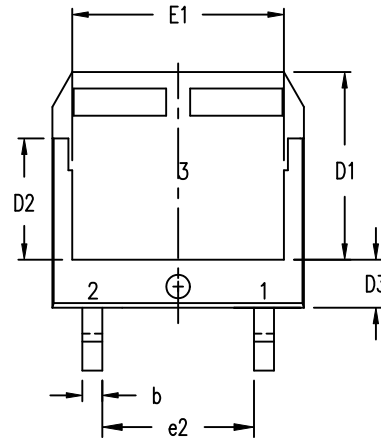
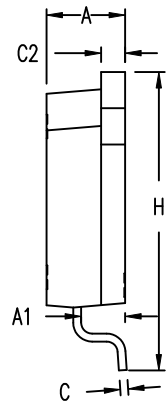
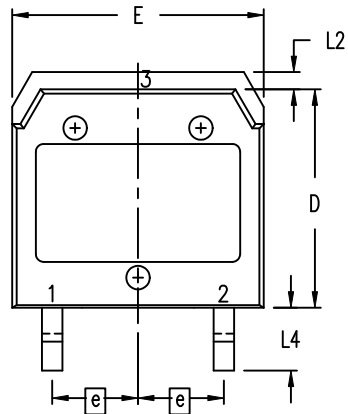


PIN CALL OUT:  
 1 - GATE  
 2 - SOURCE (EMITTER)  
 3 - DRAIN (COLLECTOR)

REV	DATE	ECN NO	DESCRIPTION	APPROVAL
A	5/08/12		Changed C2 dimension from 1.45-1.60 to 1.46-1.61.	K. R. Choi
B	6/12/12		Changed L fr 1.70 - 1.90 to 1.70 - 2.00 per bending R change fr 1.0 to 0.7.	K. R. Choi
C	1/16/13		Updated foot print to match with standard TO-268 foot print.	K. R. Choi
D	5/29/14		Added creepage distance information.	K. R. Choi



RECOMMENDED MINIMUM FOOT PRINT

SYM	INCHES		MILLIMETER	
	MIN	MAX	MIN	MAX
A	.193	.201	4.90	5.10
A1	.106	.114	2.70	2.90
A2	.001	.010	0.02	0.25
b	.045	.057	1.15	1.45
C	.016	.026	0.40	0.65
C2	.057	.063	1.45	1.60
D	.543	.551	13.80	14.00
D1	.465	.476	11.80	12.10
D2	.295	.307	7.50	7.80
D3	.114	.126	2.90	3.20
E	.624	.632	15.85	16.05
E1	.524	.535	13.30	13.60
e	.215 BSC		5.45 BSC	
(e2)	.374	.386	9.50	9.80
H	.736	.752	18.70	19.10
L	.067	.079	1.70	2.00
L2	.039	.045	1.00	1.15
L3	.010 BSC		0.25 BSC	
L4	.150	.161	3.80	4.10

CREEPAGE DISTANCE		
DISCRPTION	SYMBOL	MIN DISTANCE
LEAD TO LEAD AIR CLEARANCE	e2	0.372" [9.45mm]
LEAD TO LEAD PKG SURFACE CREEPAGE	e2	0.374" [9.50mm]
LEAD TO BOTTOM DRAIN CREEPAGE	A1+D3	0.213" [5.40mm]

NOTE:

1. This drawing meets all dimensions requirement of JEDEC outlines TO-268AA except L dimension.
2. All metal surface are matte pure tin plated except trimmed area.
3. [L3] is Gauge plane to measure L.
4. These dimension do not include mold flash and they will not exceed 0.005 [0.13] per side.