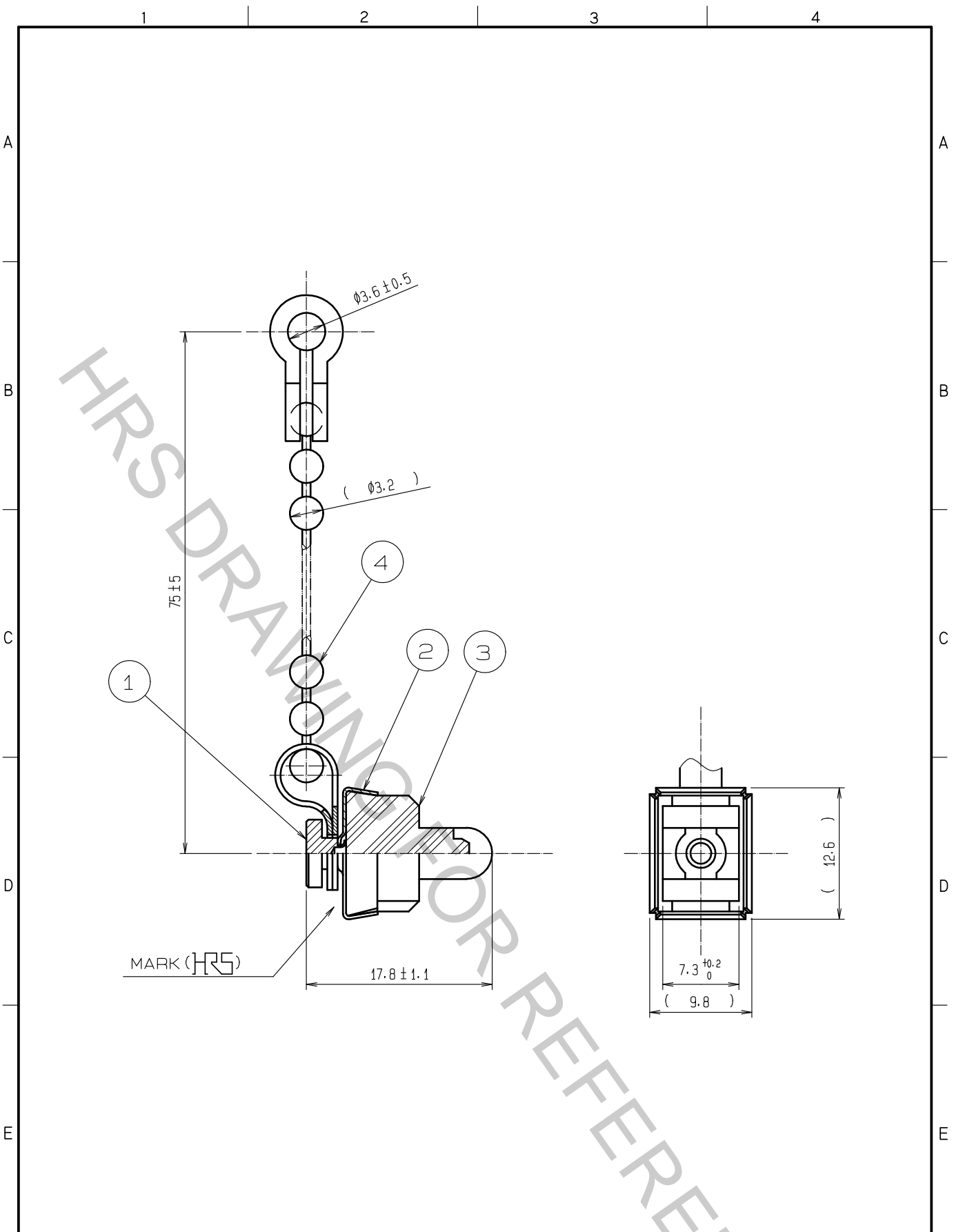


Aug.1.2018 Copyright 2018 HIROSE ELECTRIC CO., LTD. All Rights Reserved.
 In case that the application demands a high level of reliability, such as automotive,
 please contact a company representative for further information.



2	Brass	Nickel plated	4	Stainless steel	
1	Brass	Nickel plated	3	Synthetic rubber	Black
NO.	MATERIAL	FINISH . REMARKS	NO.	MATERIAL	FINISH . REMARKS
UNITS mm		SCALE 2 : 1	COUNT 	DESCRIPTION OF REVISIONS	DESIGNED
HIROSE ELECTRIC CO., LTD.		APPROVED : MT. SHIBUTANI 18.03.28	DRAWING NO. EDC-040637-31-00		
		CHECKED : MT. SHIBUTANI 18.03.28	PART NO. HSC-C2(31)		
		DESIGNED : FS. YOSHIDA 18.03.28	CODE NO. CL704-0061-8-31		
		DRAWN : FS. YOSHIDA 18.03.28	1/1		