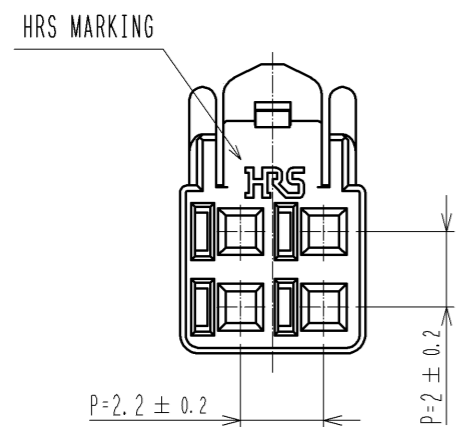
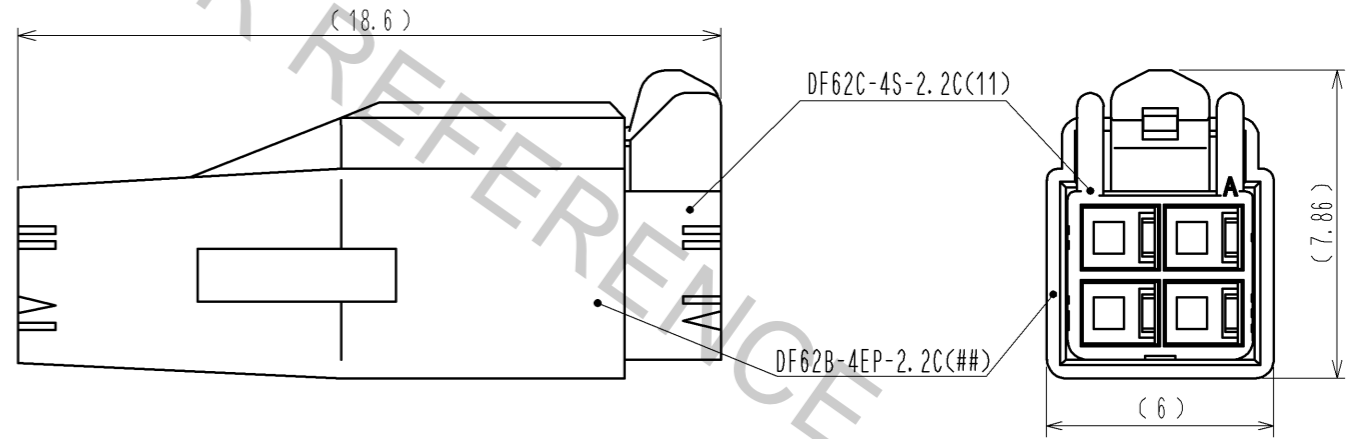
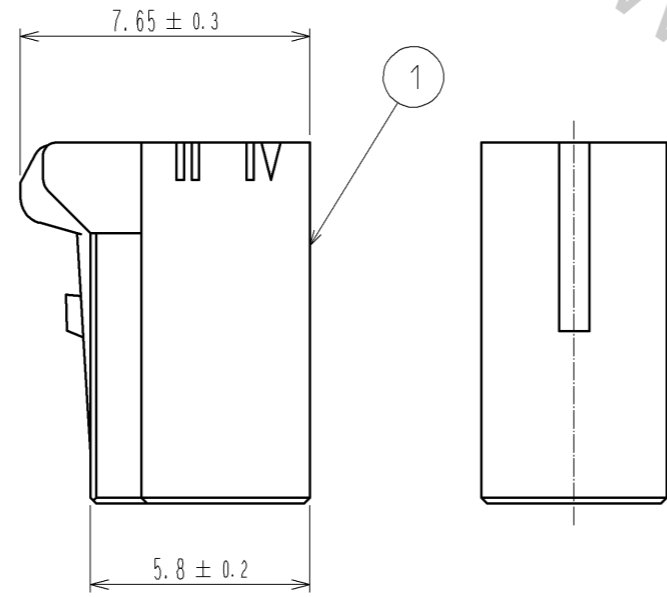
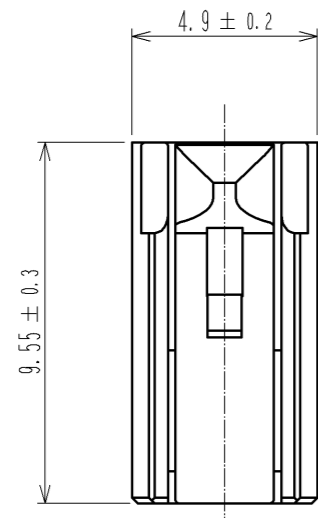
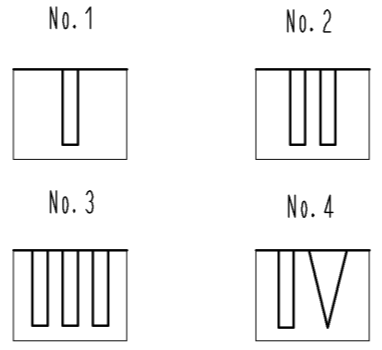
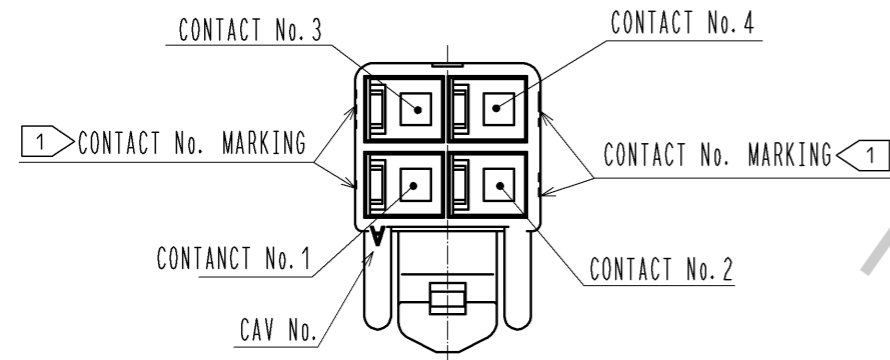


Apr.1.2017 Copyright 2017 HIROSE ELECTRIC CO., LTD. All Rights Reserved.

1> FIGURE-1 CONTACT No. MARKING (10:1)



NOTE. 1> MARKINGS AT THE INDICATED POSITIONS ARE CONTACT NO. MARKING. AND SHAPES ARE SHOWN IN FIGURE-1.
 2. PER PACK : 100 PIECES.
 3. THE DIMENSIONS IN PARENTHESIS ARE FOR REFERENCE.

NO.		MATERIAL		FINISH . REMARKS		1	PBT	UL94V-0 (BLACK)
UNITS mm		SCALE 5 : 1		COUNT △		DESIGNED		CHECKED
DESCRIPTION OF REVISIONS		DATE		DRAWING NO.		EDC3-351972-01		
APPROVED : KI. AKIYAMA		13. 05. 29		PART NO.		DF62C-4S-2. 2C(11)		
CHECED : HK. UMEHARA		13. 05. 29		CODE NO.		CL544-0567-0-11		1/1
DESIGNED : TS. KUMAZAWA		13. 05. 29						
DRAWN : TS. KUMAZAWA		13. 05. 29						