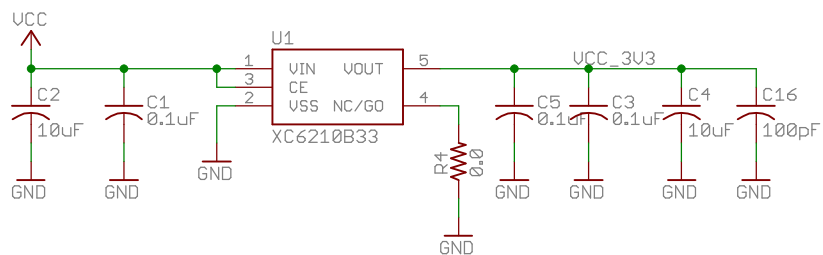
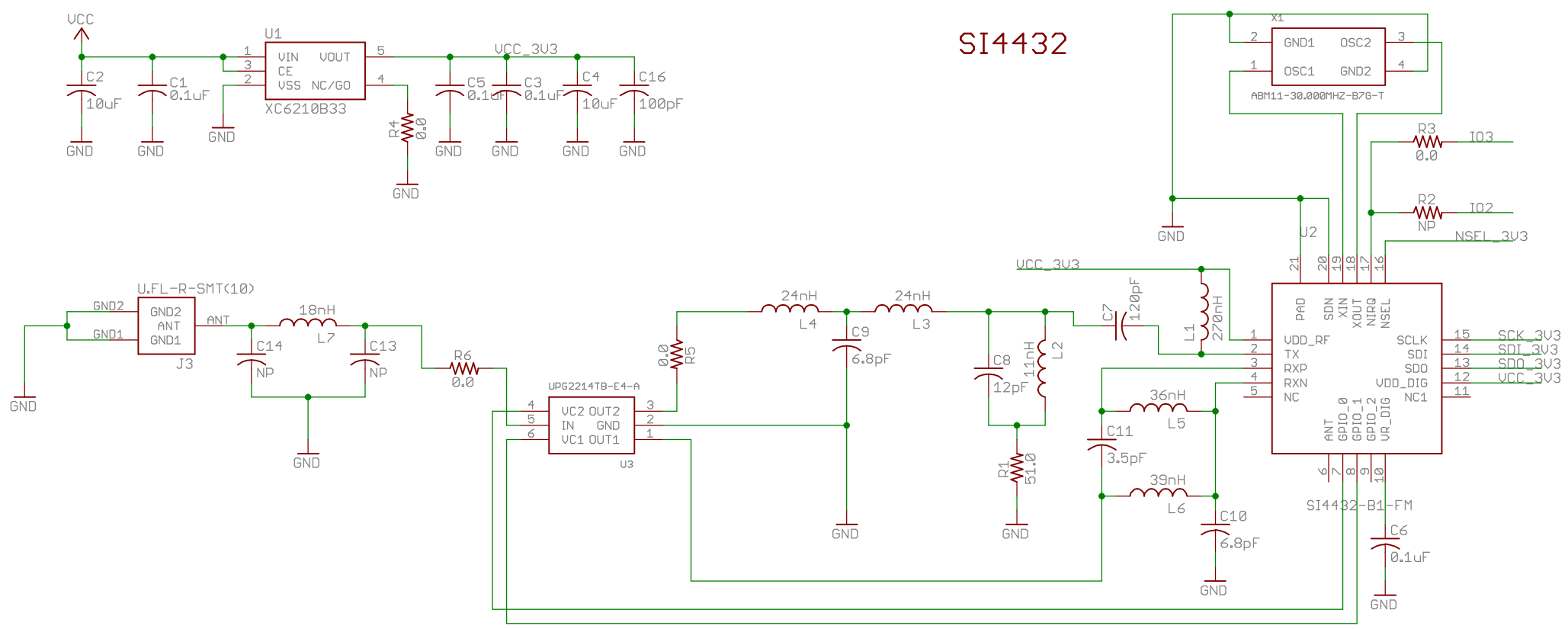


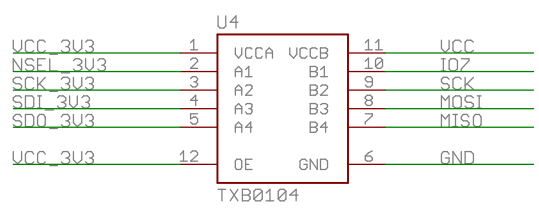
### 3.3V Power Supply



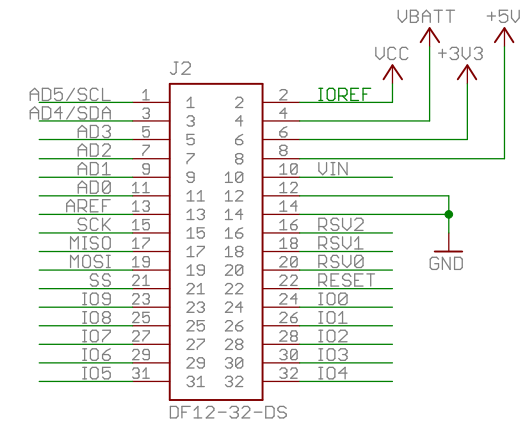
### SI4432



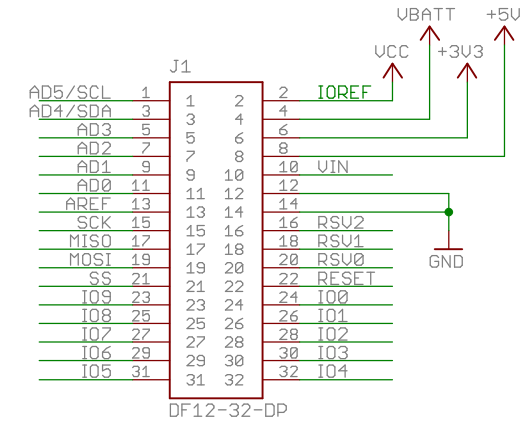
### Level Shifter



### TinyShield Expansion - Bottom



### TinyShield Expansion - Top



Released under the Creative Commons Attribution Share-Alike 3.0 License  
<http://creativecommons.org/licenses/by-sa/3.0>

Original Arduino Uno Design by Team Arduino  
 LilyPad Arduino Design by Leah Buechley and Sparkfun Electronics  
 TinyDuino, TinyLily and TinyShield Designs by TinyCircuits

|   |  |   |                  |
|---|--|---|------------------|
| <b>TINYCIRCUITS</b>                       |  | <a href="http://www.TinyCircuits.com">http://www.TinyCircuits.com</a> |                  |
| TITLE: TinyShield - SI4432                |  |   |                  |
| Document Number:<br><b>AS-SCH-ASD2162</b> |  |   | REV:<br><b>3</b> |
| Date: 2/23/2016 8:15:46 PM                |  |   | Sheet: 1/1       |