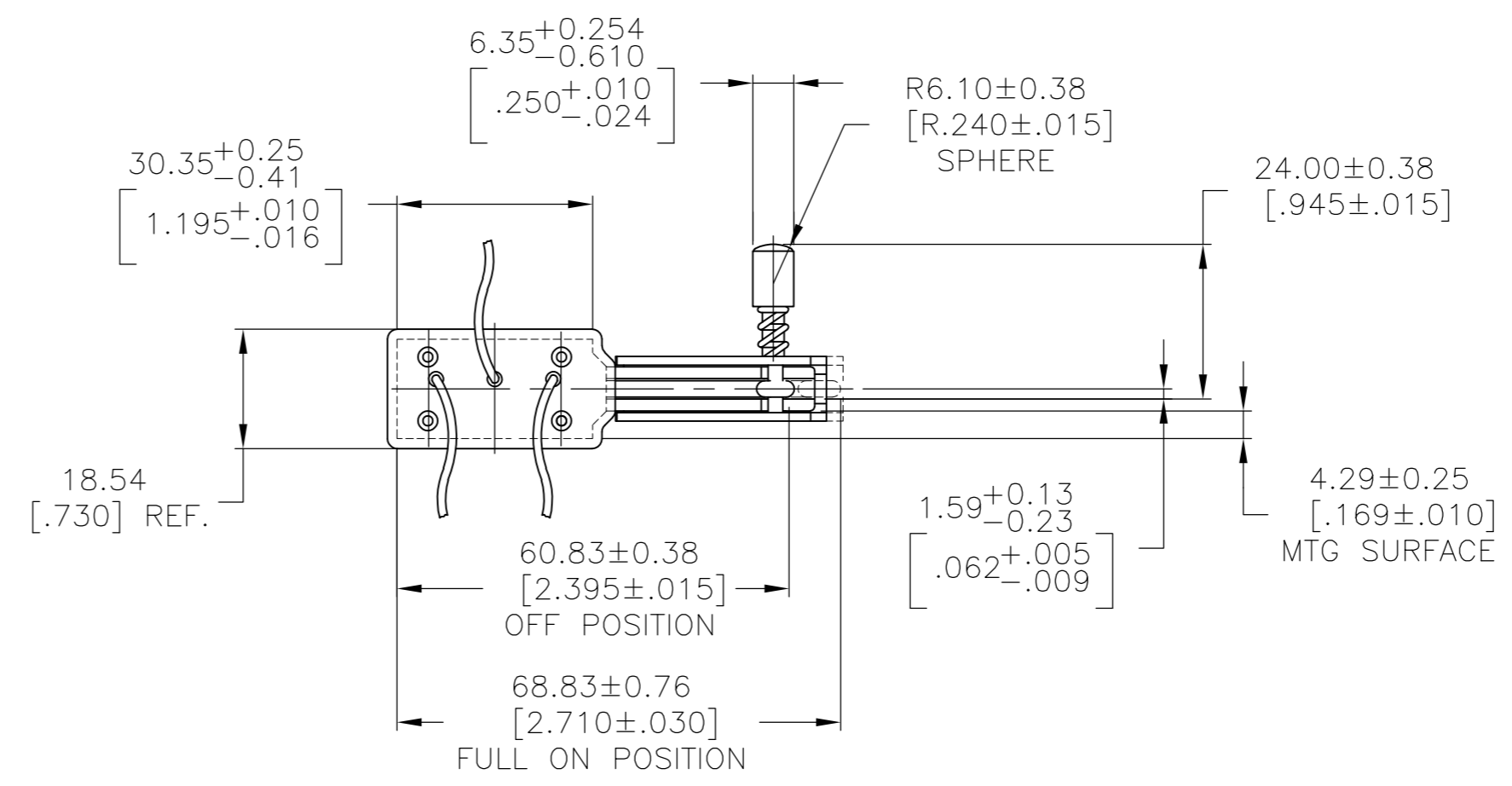
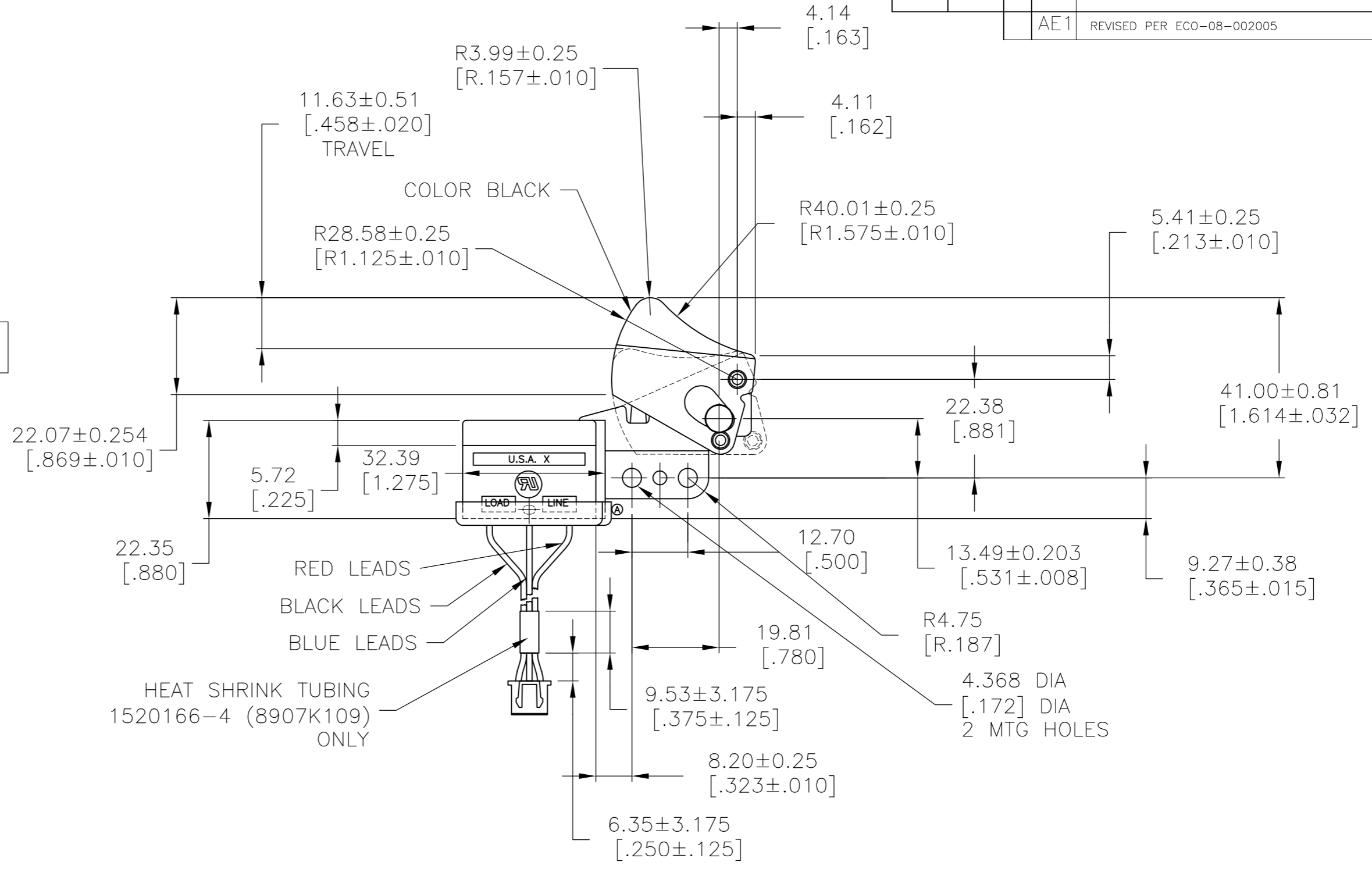
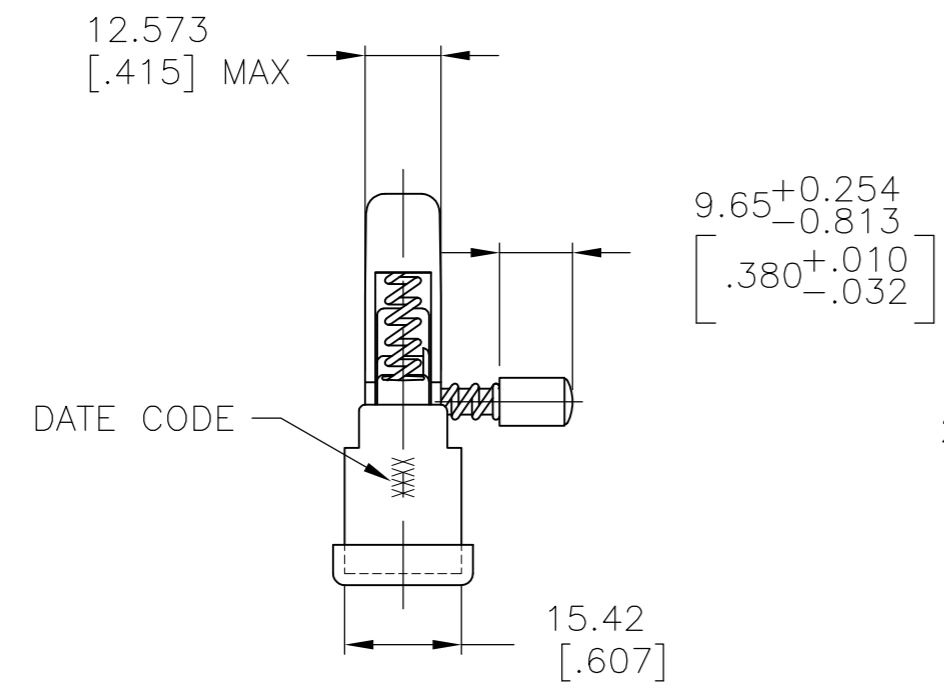
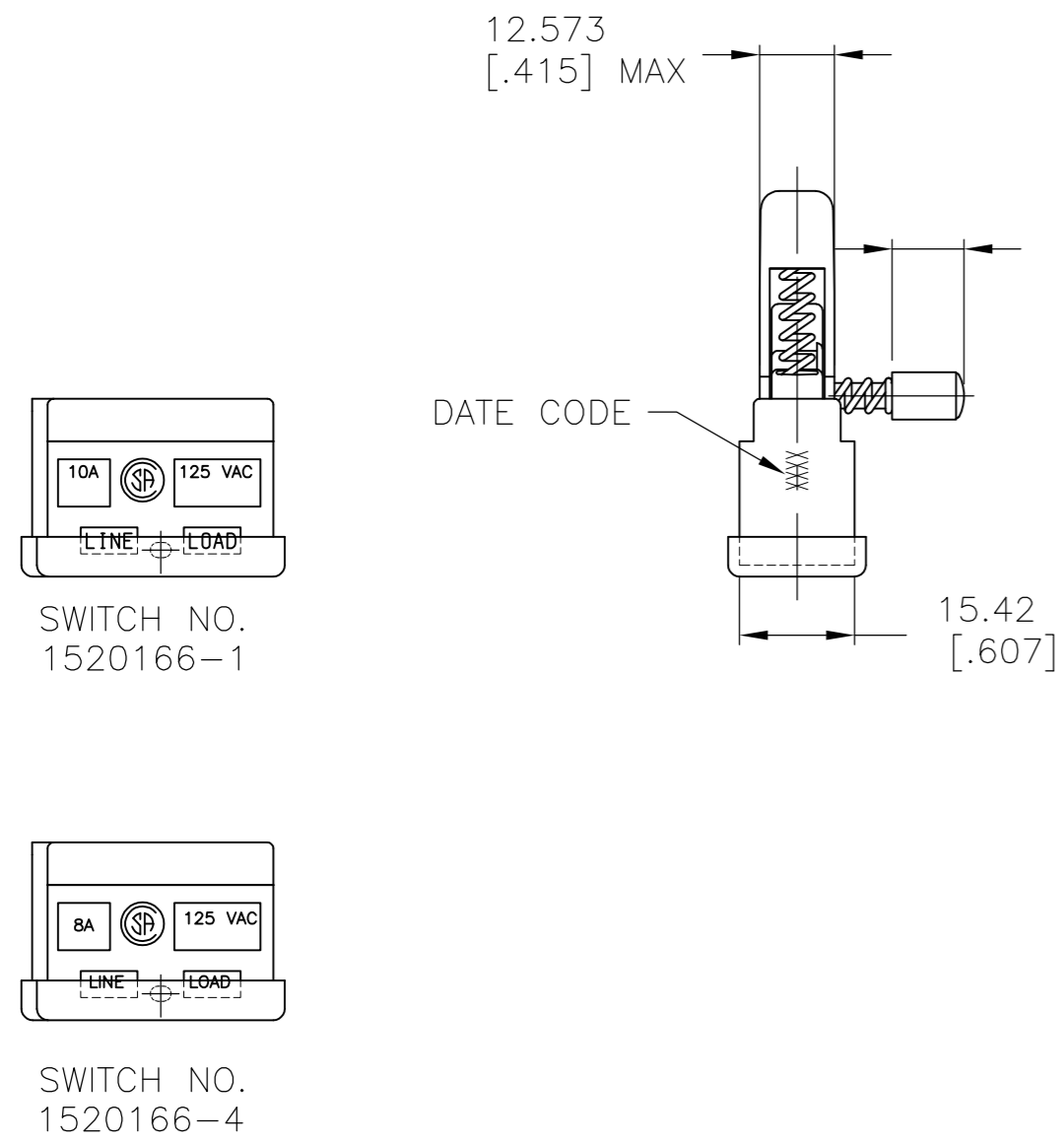


THIS DRAWING IS UNPUBLISHED. RELEASED FOR PUBLICATION
 © COPYRIGHT BY TYCO ELECTRONICS CORPORATION. ALL RIGHTS RESERVED.

LOC		DIST		REVISIONS			
AD	00	P	LTR	DESCRIPTION	DATE	DWN	APVD
		AE1		REVISED PER ECO-08-002005	24JAN08	HMR	FD



1. PUSH-IN TERMINAL OPENINGS TO RECEIVE #18 GA OR #20 GA STRANDED TINNED LEADS. WIRE STRIP LENGTH 6.35-10.16 [.250-.400].

91-680
91-816

THIS DRAWING IS A CONTROLLED DOCUMENT.		DWN W. LeonarD 22MAY96	Tyco Electronics Corporation Harrisburg, Pa 17105-3608	
DIMENSIONS: mm [INCHES]		CHK W. HANSON 30MAY96	NAME M.R. DUMMER 30MAY96	
TOLERANCES UNLESS OTHERWISE SPECIFIED:		APVD M.R. DUMMER 30MAY96	PRODUCT SPEC 8907 SERIES-DUST RESISTANT OVERHANGING SWITCH DPST 3 LEAD POTENTIOMETER CONNECTOR Z-SPRING CONSTRUCTION	
0 PLC ± - 1 PLC ± - 2 PLC ± - 3 PLC ± .13[.005] 4 PLC ± - ANGLES ± 1°		APPLICATION SPEC -	SIZE A2	CAGE CODE 00779
MATERIAL -		FINISH -	DRAWING NO. C=1520166	RESTRICTED TO -
		WEIGHT -	SCALE 1:1	SHEET 1 of 32
		CUSTOMER DRAWING	REV AE1	

1520166-4	8907K109	MADE OBSOLETE PER ECOG3G-0051-02 - SUPERCEDED BY 4-1520166-5.
1520166-1	8907K101	MADE OBSOLETE PER ECOG3G-0051-02 - SUPERCEDED BY 4-1520166-4.
TE SWITCH NO.	ARAB SWITCH NO.	

THIS DRAWING IS UNPUBLISHED. RELEASED FOR PUBLICATION
 © COPYRIGHT BY TYCO ELECTRONICS CORPORATION. ALL RIGHTS RESERVED.

LOC	DIST	REVISIONS			
P	LTR	DESCRIPTION	DATE	DWN	APVD
AD	00	SEE SHEET 1	-	-	-

D

C

B

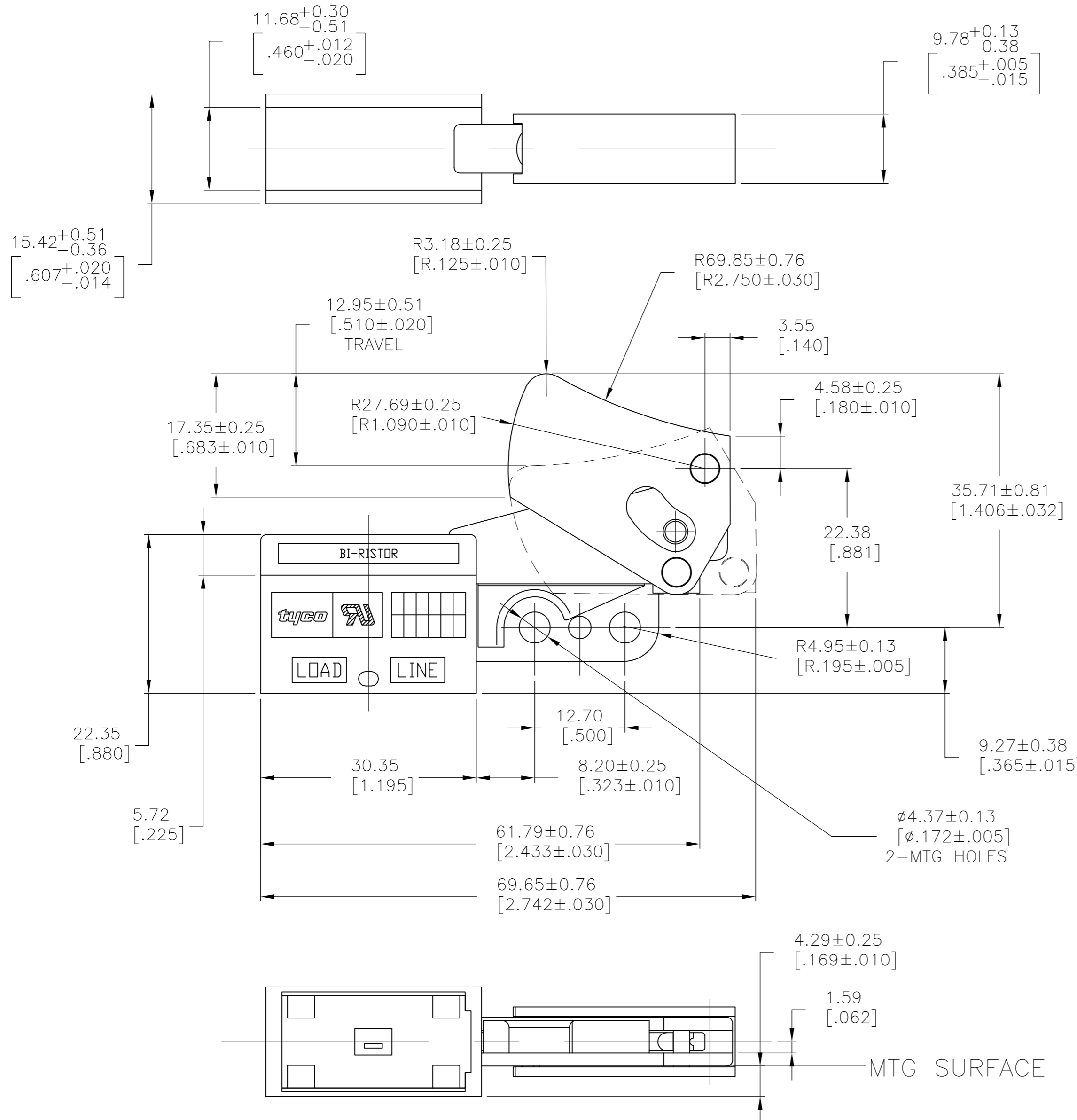
A

D

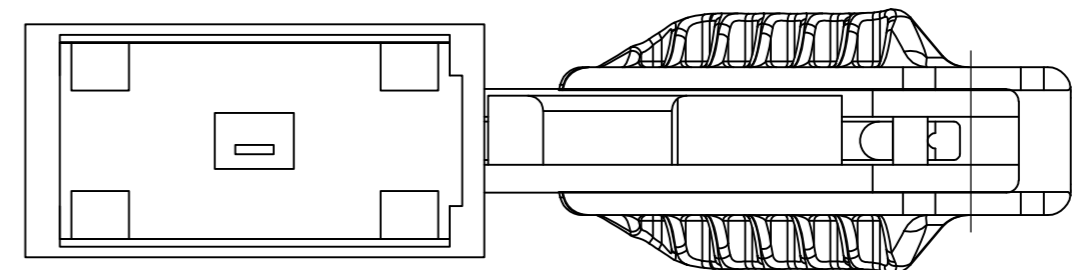
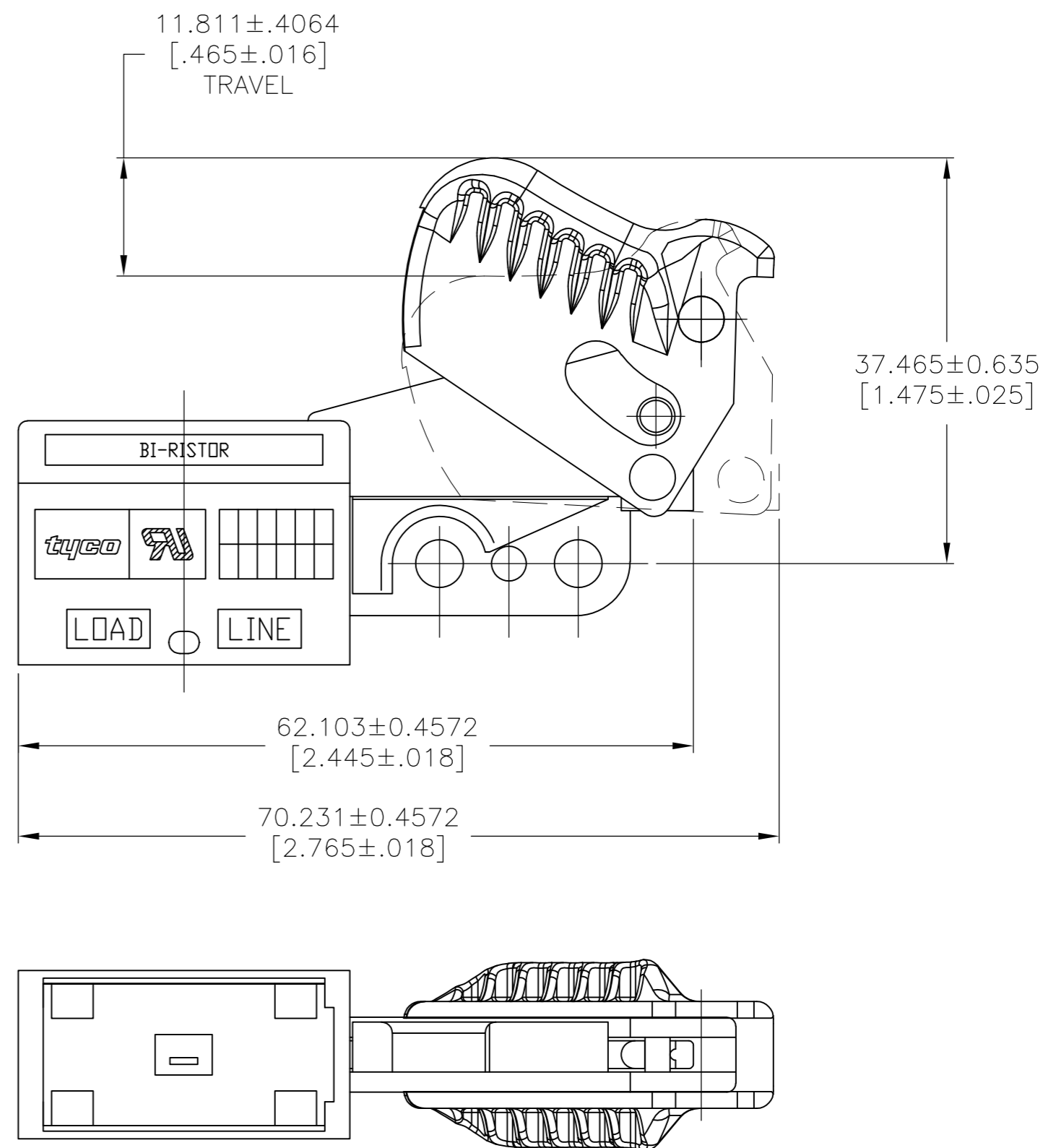
C

B

A



1. PUSH-IN TERMINAL OPENINGS TO RECEIVE #18 GA. OR #20 GA. STRANDED TIN DIPPED WIRE. WIRE STRIP LENGTH 6.35-10.16[.250-.400].



(8-1520166-5 ONLY)

1520166

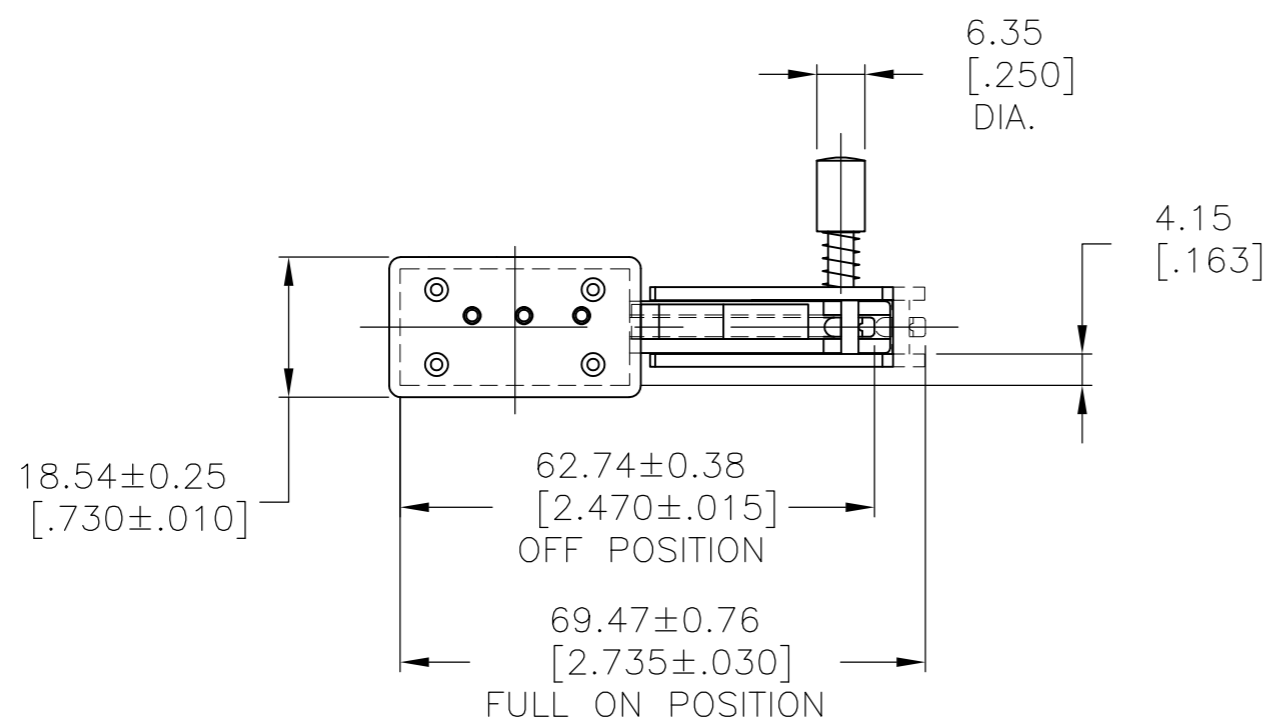
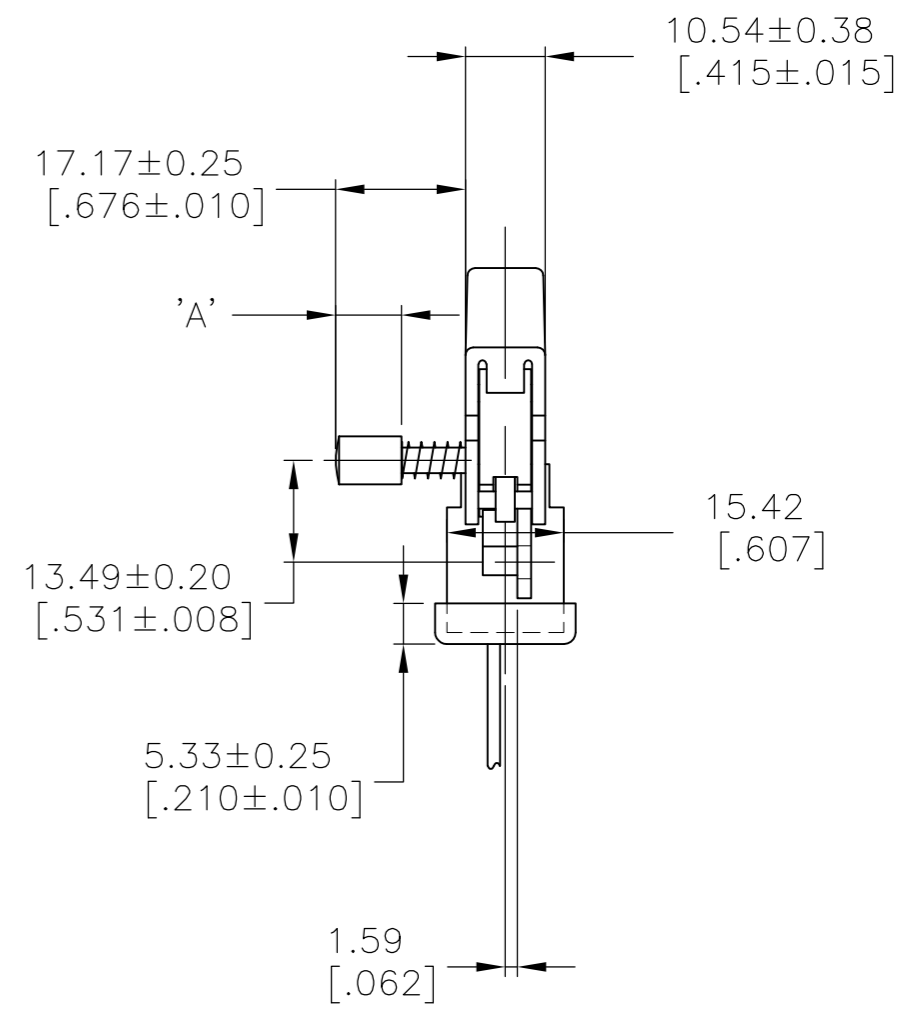
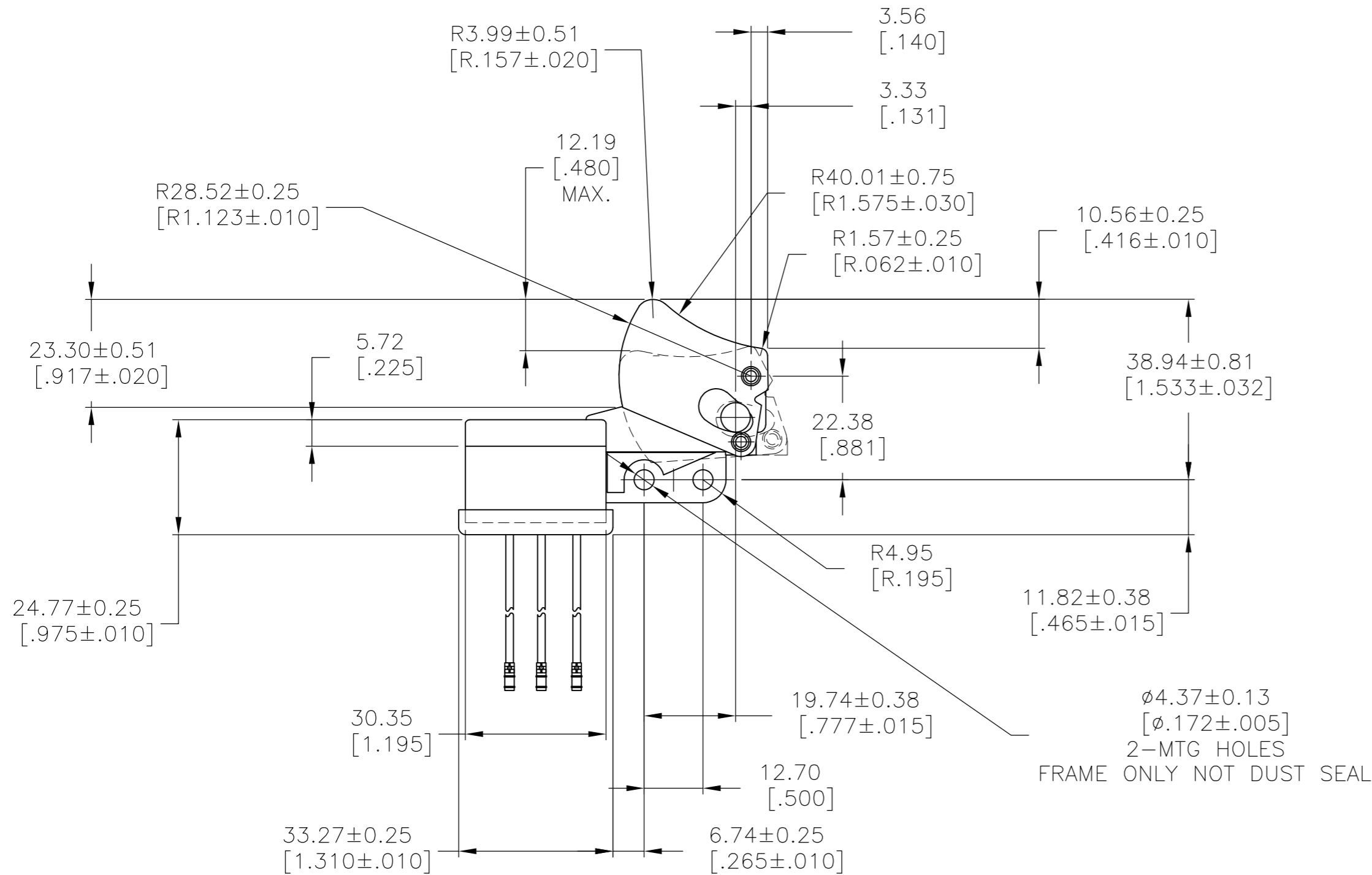
91-439

TE SWITCH NO.	ARAB SWITCH NO.	RATING	TRIGGER COLOR
8-1520166-5	N/A	4.5A 250VAC	BLACK
7-1520166-5	8907K587	4.5A 250VAC	BLACK
2-1520166-9	8907K536	4.5A 250VAC	BLACK
2-1520166-8	8907K534	10A 125VAC	BLACK
1-1520166-6	8907K342	6A 125VAC	RED
1-1520166-4	8907K217	10A 125VAC	GRAY
1520166-2	8907K105	12A 125VAC	BLACK

DIMENSIONS:		TOLERANCES UNLESS OTHERWISE SPECIFIED:		MATERIAL:		FINISH:		WEIGHT:		SCALE:		SHEET:		REV:	
mm [INCHES]		0 PLC ± -		-		-		-		2:1		2 of 32		AE1	
1 PLC ± -		2 PLC ± -		-		-		-		-		-		-	
3 PLC ± .13[.005]		4 PLC ± -		-		-		-		-		-		-	
4 PLC ANGLES ± 1°		-		-		-		-		-		-		-	

THIS DRAWING IS UNPUBLISHED. RELEASED FOR PUBLICATION
 © COPYRIGHT BY TYCO ELECTRONICS CORPORATION. ALL RIGHTS RESERVED.

LOC		DIST		REVISIONS				
P	LTR	DESCRIPTION	DATE	DWN	APVD			
AD	00	SEE SHEET 1						



- PUSH-IN TERMINAL OPENINGS TO RECEIVE # 18 GA OR #20 GA STRANDED TINNED LEADS. WIRE STRIP LENGTH 6.35 - 10.16 [.250 - .400] . (PULL OUT FORCE MUST BE 5 LBS MIN.)
- PRETRAVEL TO BE 3.81 [.150] MAX.
- INITIAL OPERATING FORCE (MEASURED AT 1.27 [.050] DEFLECTION) IS 1.60 LBS ± 0.5 LBS.
- HOLD ON FORCE (MEASURED AT 10.16 [.400] TRIGGER DEFLECTION) IS 5.10 LBS ± 1.0 LBS.
- TOTAL TRAVEL TO BE 10.41 [.410] MIN.
- FORCE TO ENGAGE LOCK PIN MUST BE 3.8 LBS MIN.

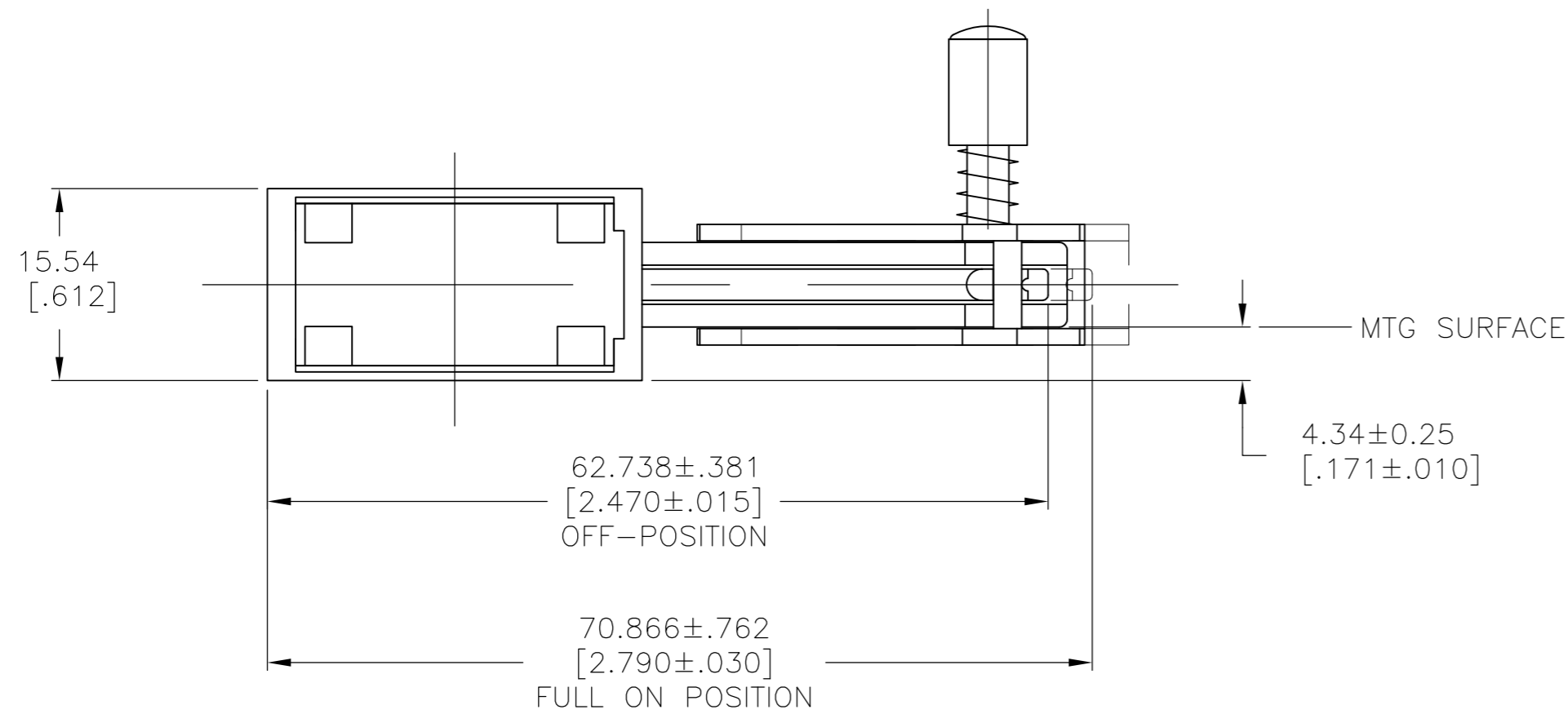
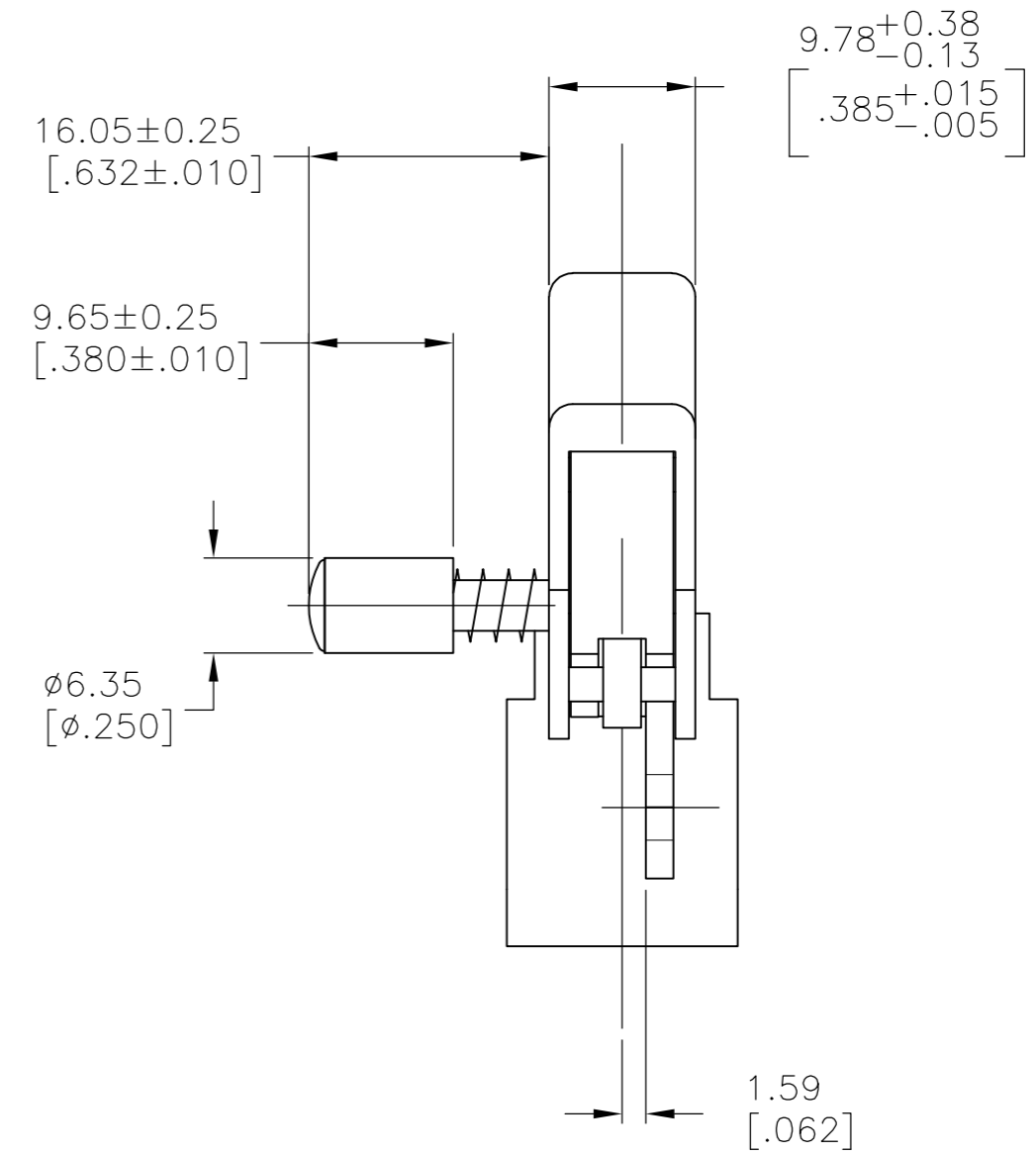
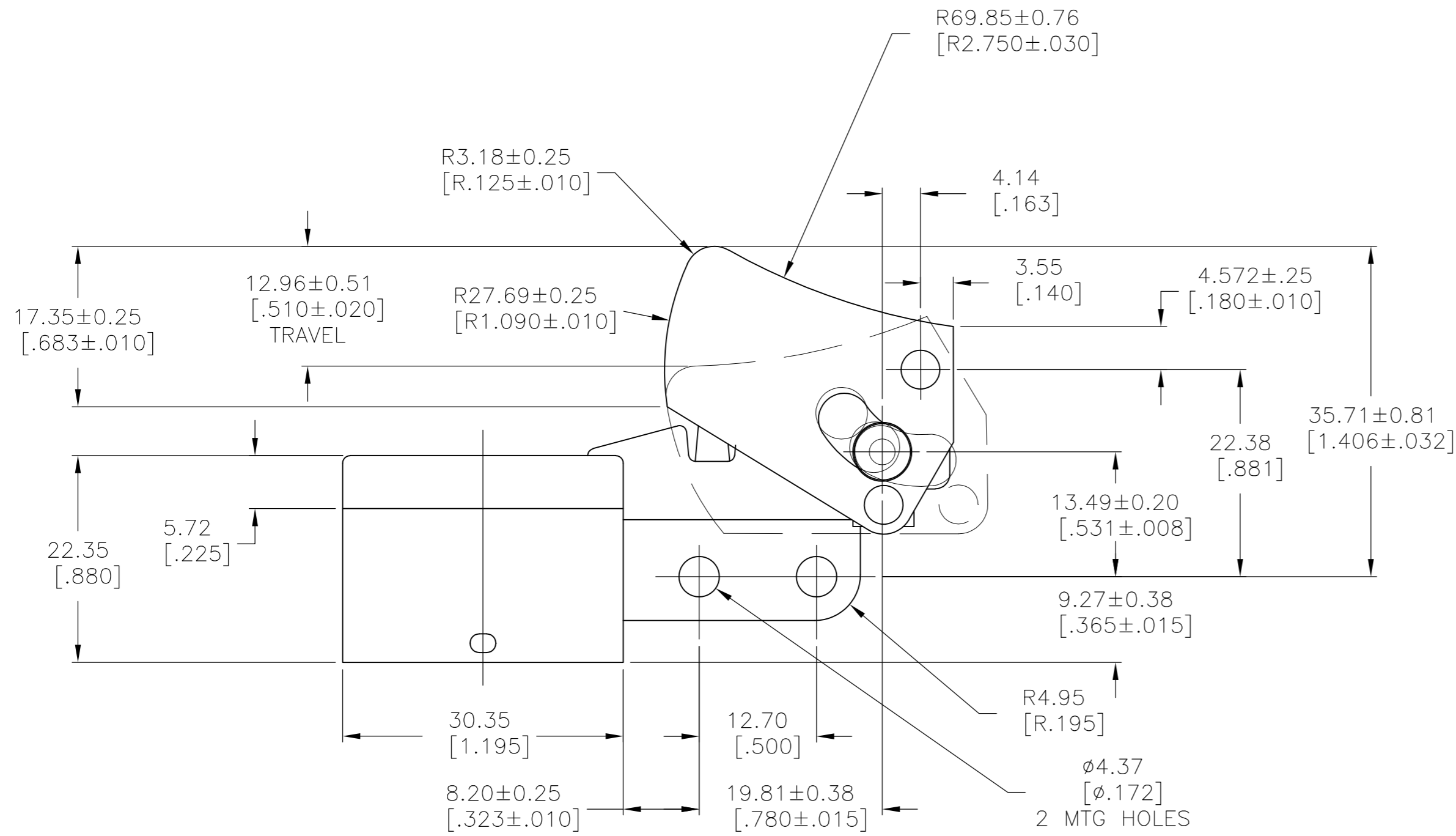
91-346

1-1520166-9	8907K393	MADE OBSOLETE PER ECOG3G-0051-02 - SUPERCEDED BY 4-1520166-3		
1520166-3	8907K108	BLACK	BLACK	.380 +.005/-0.016 (9.65) +.13/-0.41
TE SWITCH NO.	ARAB SWITCH NO.	LOCK BUTTON COLOR	TRIGGER COLOR	DIM 'A'

THIS DRAWING IS A CONTROLLED DOCUMENT.		DWN W. HANSON	05MAR02	Tyco Electronics Corporation Harrisburg, Pa 17105-3608	
DIMENSIONS: mm [INCHES]		CHK -	APVD -	NAME 8907 SERIES - OVERHANGING SWITCH 8A 125 VAC DPST 3 LEAD POTENTIOMETER Z-SPRING CONSTRUCTION	
TOLERANCES UNLESS OTHERWISE SPECIFIED:		PRODUCT SPEC -		RESTRICTED TO -	
0 PLC ± -		APPLICATION SPEC -		SIZE A2	
1 PLC ± -		WEIGHT -		CAGE CODE 00779	
2 PLC ± -		CUSTOMER DRAWING		DRAWING NO 1520166	
3 PLC ± .13 [.005]		SCALE 1:1		SHEET 3 OF 32	
4 PLC ± -		REV AE1			
4 ANGLES ± 1°					
MATERIAL -					
FINISH -					

THIS DRAWING IS UNPUBLISHED. RELEASED FOR PUBLICATION
 © COPYRIGHT BY TYCO ELECTRONICS CORPORATION. ALL RIGHTS RESERVED.

LOC	DIST	REVISIONS					
AD	00	P	LTR	DESCRIPTION	DATE	DWN	APVD
				SEE SHEET 1			



1. PUSH-IN TERMINAL OPENINGS TO RECEIVE #18 OR #20 GA. STRANDED TINNED LEADS. WIRE STRIPPED LENGTH TO BE 6.35-10.16[.250-.400].

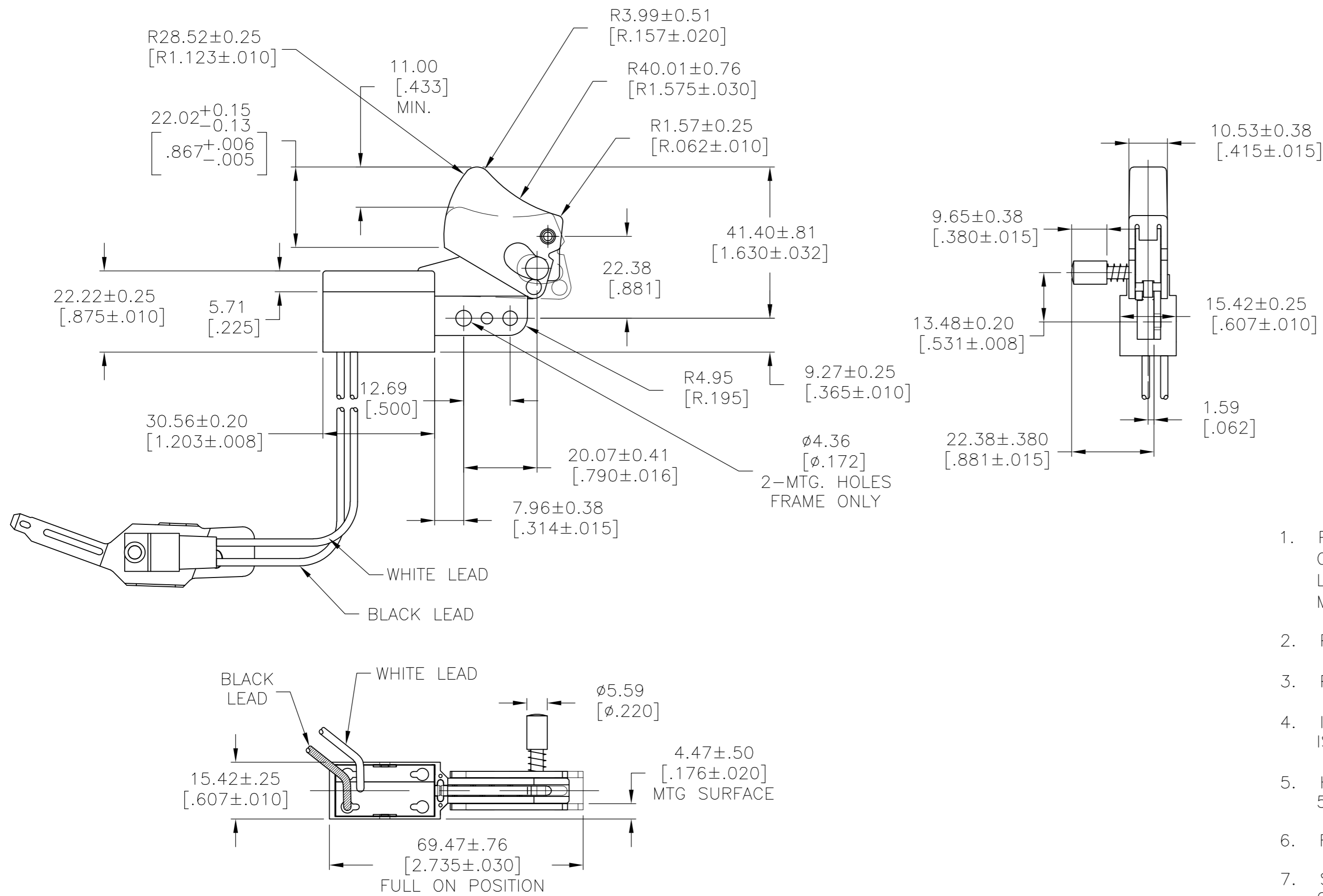
90-6040

1520166-5	8907K144	RED	RED
TE SWITCH NO.	ARAB SWITCH NO.	LOCK BUTTON COLOR	TRIGGER COLOR

THIS DRAWING IS A CONTROLLED DOCUMENT.		DWN 27SEP74 D. WOODRUFF	Tyco Electronics Corporation Harrisburg, Pa 17105-3608	
DIMENSIONS: mm [INCHES]		CHK 01OCT74 R. GLENN	NAME 8907 SERIES OVERHANGING SWITCH 6A 125 VAC / 3A 250 VAC DOUBLE POLE SINGLE THROW ON-OFF	
TOLERANCES UNLESS OTHERWISE SPECIFIED: 0 PLC ± - 1 PLC ± - 2 PLC ± - 3 PLC ± .13[.005] 4 PLC ± - ANGLES ± 1°		APVD 01OCT74 B. NEWLAND	PRODUCT SPEC APPLICATION SPEC	
MATERIAL		WEIGHT	SIZE A2	CAGE CODE 00779
FINISH		CUSTOMER DRAWING	SCALE 2:1	SHEET 4 OF 32
			RESTRICTED TO	REV AE1

THIS DRAWING IS UNPUBLISHED. RELEASED FOR PUBLICATION
 © COPYRIGHT BY TYCO ELECTRONICS CORPORATION. ALL RIGHTS RESERVED.

LOC	DIST	REVISIONS					
AD	00	P	LTR	DESCRIPTION	DATE	DWN	APVD
		-	-	SEE SHEET 1	-	-	-



1. PUSH-IN TERMINAL OPENINGS TO RECEIVE # 18 GA OR #20 GA STRANDED TIN DIPPED WIRE. WIRE STRIP LENGTH 6.35 - 10.16[.250 - .400]. (PULL OUT FORCE MUST BE 5 LBS MIN.)
2. PULL OUT FORCE OF WHITE LEAD MUST EXCEED 14 LBS.
3. PRETRAVEL TO BE 3.30 ±1.5[.130 ±.059].
4. INITIAL OPERATING FORCE (MEASURED AT 1.27[.050] DEFLECTION) IS 2.7 LBS ±0.71 LBS.
5. HOLD ON FORCE (MEASURED AT 10.16[.400] TRIGGER DEFLECTION) IS 5.40 LBS ±1.0 LBS.
6. FORCE TO ENGAGE LOCK PIN MUST BE 3.8 LBS MIN.
7. SEE 91-337-2 ON DWG C-1520166 SHT7 FOR DIMENSIONS OF E-MOD ELECTRONIC PACKAGE WITH LEADS AND BLACK & DECKER HEAT SINK.

1520166

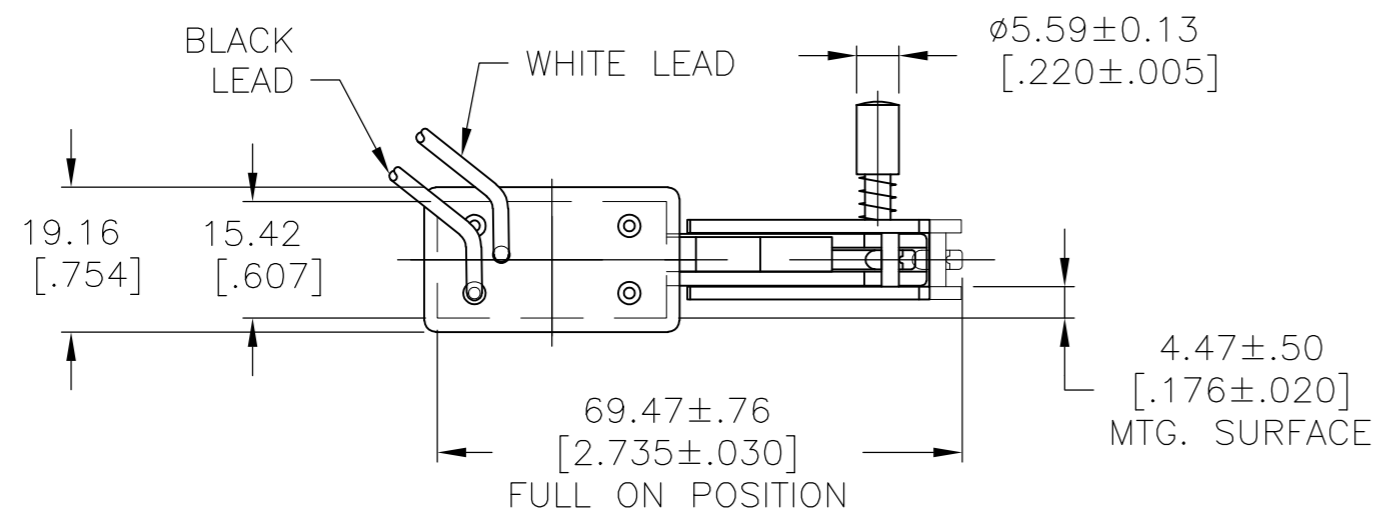
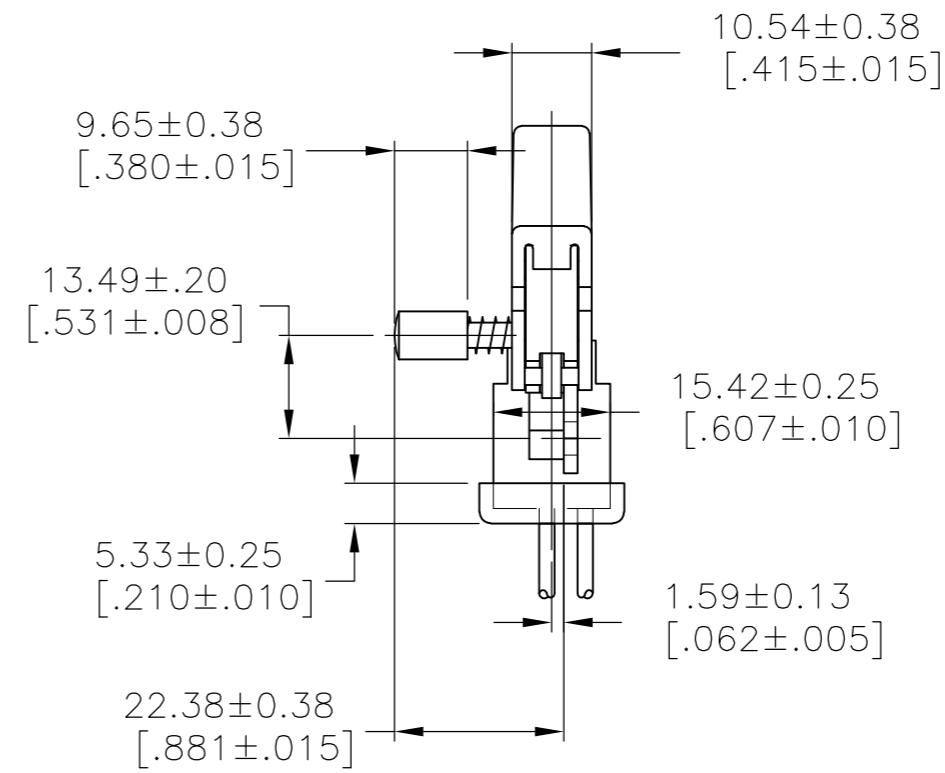
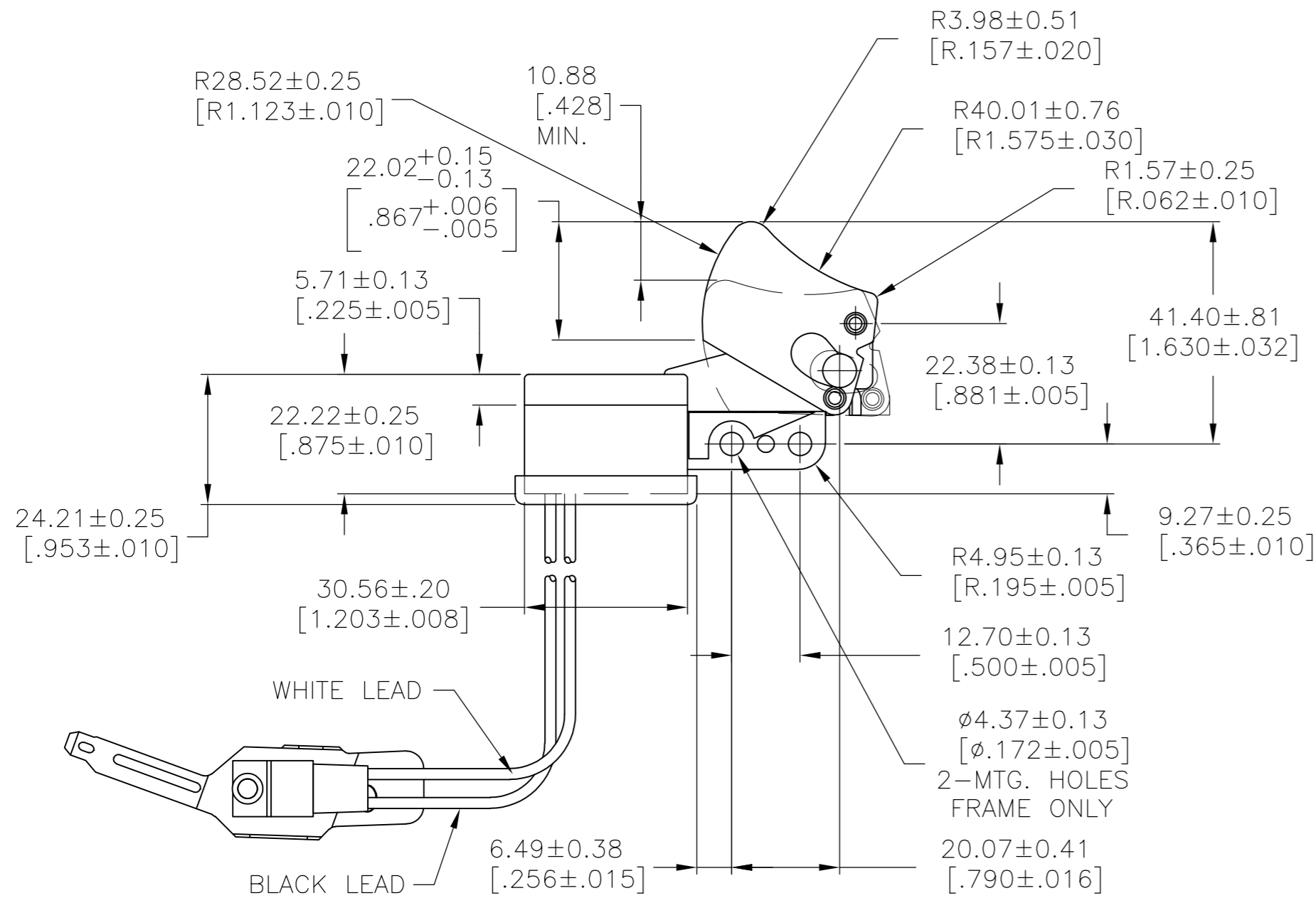
91-734

3-1520166-9	8907K85	BLACK	BLACK
1520166-6	8907K148	YELLOW	YELLOW
TE SWITCH NO.	ARAB SWITCH NO.	LOCK BUTTON COLOR	TRIGGER COLOR

THIS DRAWING IS A CONTROLLED DOCUMENT.		DWN W. LeonarD 30OCT95	Tyco Electronics Corporation Harrisburg, Pa 17105-3608	
DIMENSIONS: mm [INCHES]		CHK W. HANSON 30OCT95	NAME B. BURGESS	
TOLERANCES UNLESS OTHERWISE SPECIFIED:		APVD B. BURGESS 31OCT95	PRODUCT SPEC 8907 SERIES-DUST RESISTANT OVERHANGING SWITCH 8A 125 VAC DPST WITH EXTERNAL ELECTRONICS Z-SPRING / D-PAK CONSTRUCTION	
0 PLC ± - 1 PLC ± - 2 PLC ± - 3 PLC ± .13[.005] 4 PLC ± - ANGLES ± 1°		APPLICATION SPEC -	SIZE A2	CAGE CODE 00779
MATERIAL -		FINISH -	DRAWING NO C=1520166	RESTRICTED TO -
		WEIGHT -	SCALE 1:1	SHEET 5 of 32
		CUSTOMER DRAWING	REV AE1	

THIS DRAWING IS UNPUBLISHED. RELEASED FOR PUBLICATION
 © COPYRIGHT BY TYCO ELECTRONICS CORPORATION. ALL RIGHTS RESERVED.

LOC		DIST		REVISIONS			
P	LTR	DESCRIPTION	DATE	DWN	APVD		
AD	00	SEE SHEET 1					



- PUSH-IN TERMINAL OPENINGS TO RECEIVE # 18 GA OR #20 GA STRANDED TIN DIPPED WIRE. WIRE STRIP LENGTH 6.35 - 10.16[.250 - .400]. (PULL OUT FORCE MUST BE 5 LBS MIN.)
- PULL OUT FORCE OF WHITE LEAD MUST EXCEED 14 LBS.
- PRETRAVEL TO BE 3.30 ±1.5[.130 ±.059].
- INITIAL OPERATING FORCE (MEASURED AT 1.27[.050] DEFLECTION) IS 2.7 LBS ±0.71 LBS.
- HOLD ON FORCE (MEASURED AT 10.16[.400] TRIGGER DEFLECTION) IS 5.40 LBS ±1.0 LBS.
- FORCE TO ENGAGE LOCK PIN MUST BE 3.8 LBS MIN.
- SEE 91-337 ON DWG C-1520166 SHT7 FOR DIMENSIONS OF E-MOD ELECTRONIC PACKAGE WITH LEADS AND BLACK & DECKER HEAT SINK.

91-305

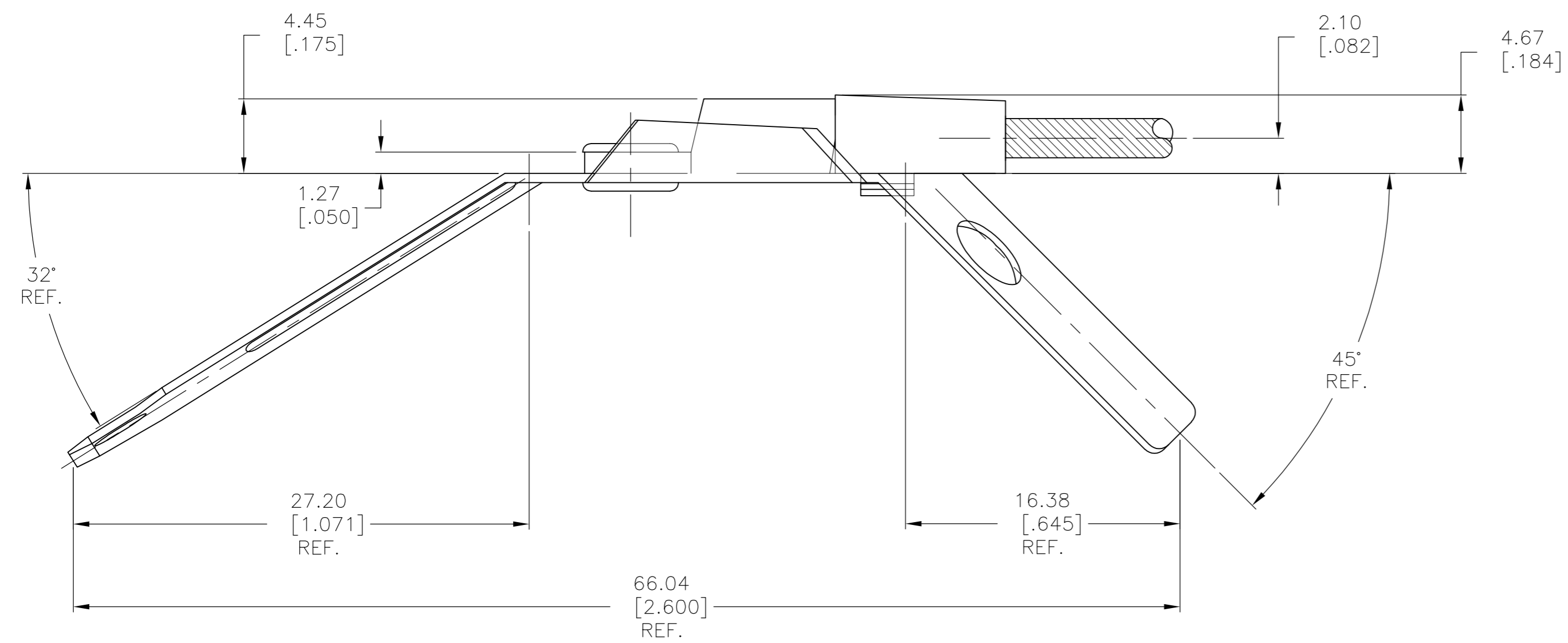
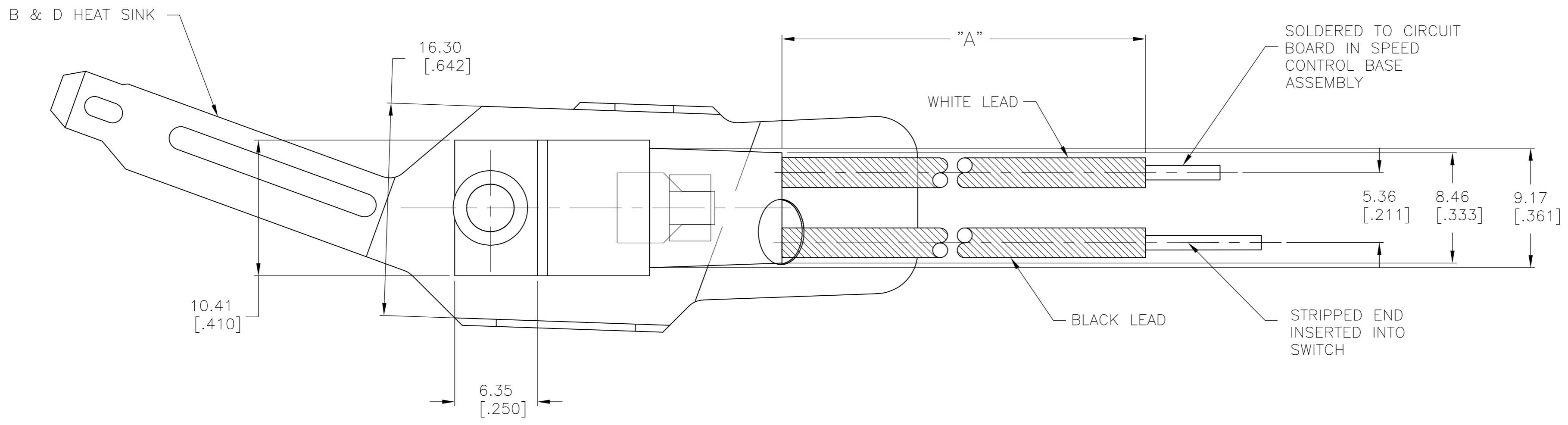
THIS DRAWING IS A CONTROLLED DOCUMENT.		DWN W. HANSON 20FEB92	Tyco Electronics Corporation Harrisburg, Pa 17105-3608	
DIMENSIONS: mm [INCHES]		CHK W. Leonard 27FEB92	NAME 8907 SERIES OVERHANGING SWITCH 8A 125 VAC DPST WITH EXTERNAL ELECTRONICS Z-SPRING / D-PAK CONSTRUCTION	
TOLERANCES UNLESS OTHERWISE SPECIFIED: 0 PLC ± - 1 PLC ± - 2 PLC ± - 3 PLC ± .13[.005] 4 PLC ± - ANGLES ± 1°		APVD J. SMITH 01MAR92	PRODUCT SPEC	RESTRICTED TO
MATERIAL		FINISH	WEIGHT	SIZE A2
-		-	-	CAGE CODE 00779
-		-	DRAWING NO C=1520166	
-		CUSTOMER DRAWING		SCALE 1:1
-		SHEET 6 OF 32		REV AE1

2-1520166-1	8907K409	BLACK	BLACK
TE SWITCH NO.	ARAB SWITCH NO.	LOCK BUTTON COLOR	TRIGGER COLOR

1520166

THIS DRAWING IS UNPUBLISHED. RELEASED FOR PUBLICATION
 © COPYRIGHT BY TYCO ELECTRONICS CORPORATION. ALL RIGHTS RESERVED.

LOC	DIST	REVISIONS			
P	LTR	DESCRIPTION	DATE	DWN	APVD
AD	00	SEE SHEET 1	-	-	-



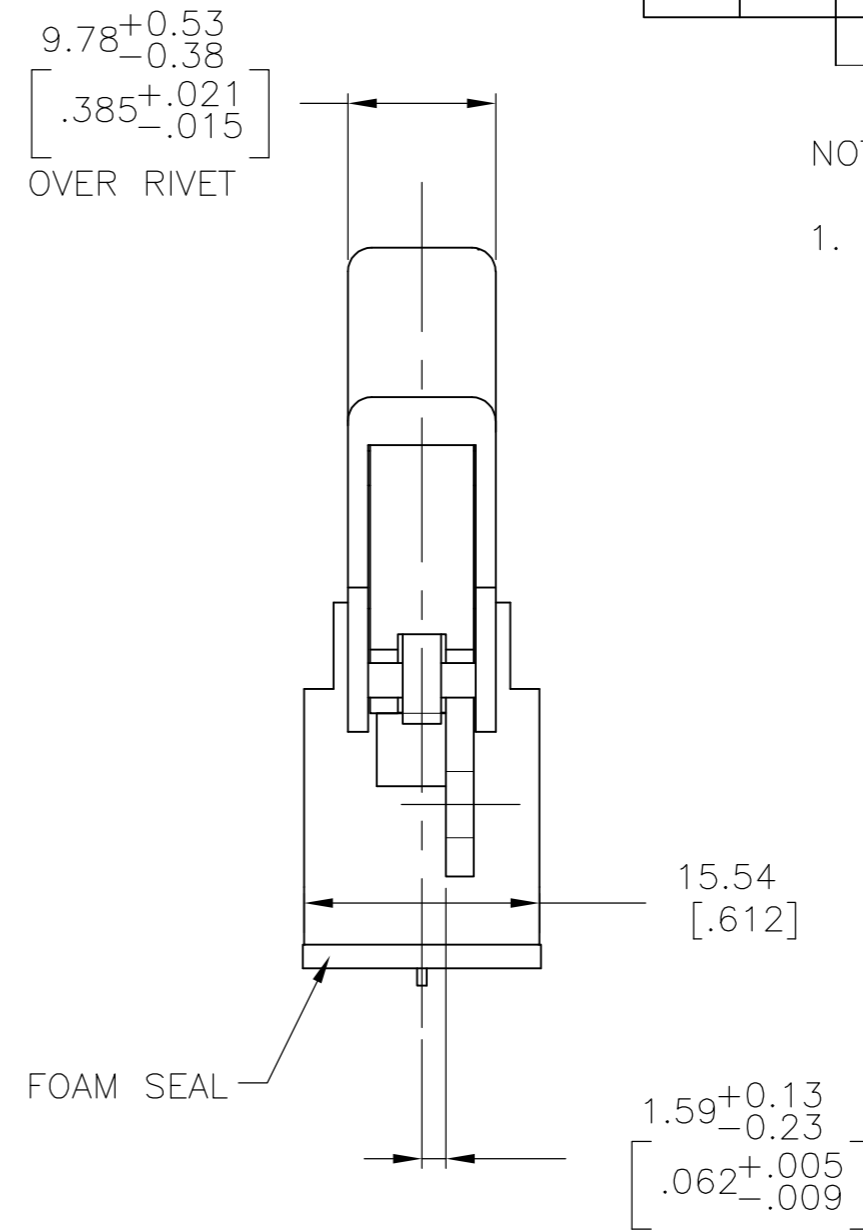
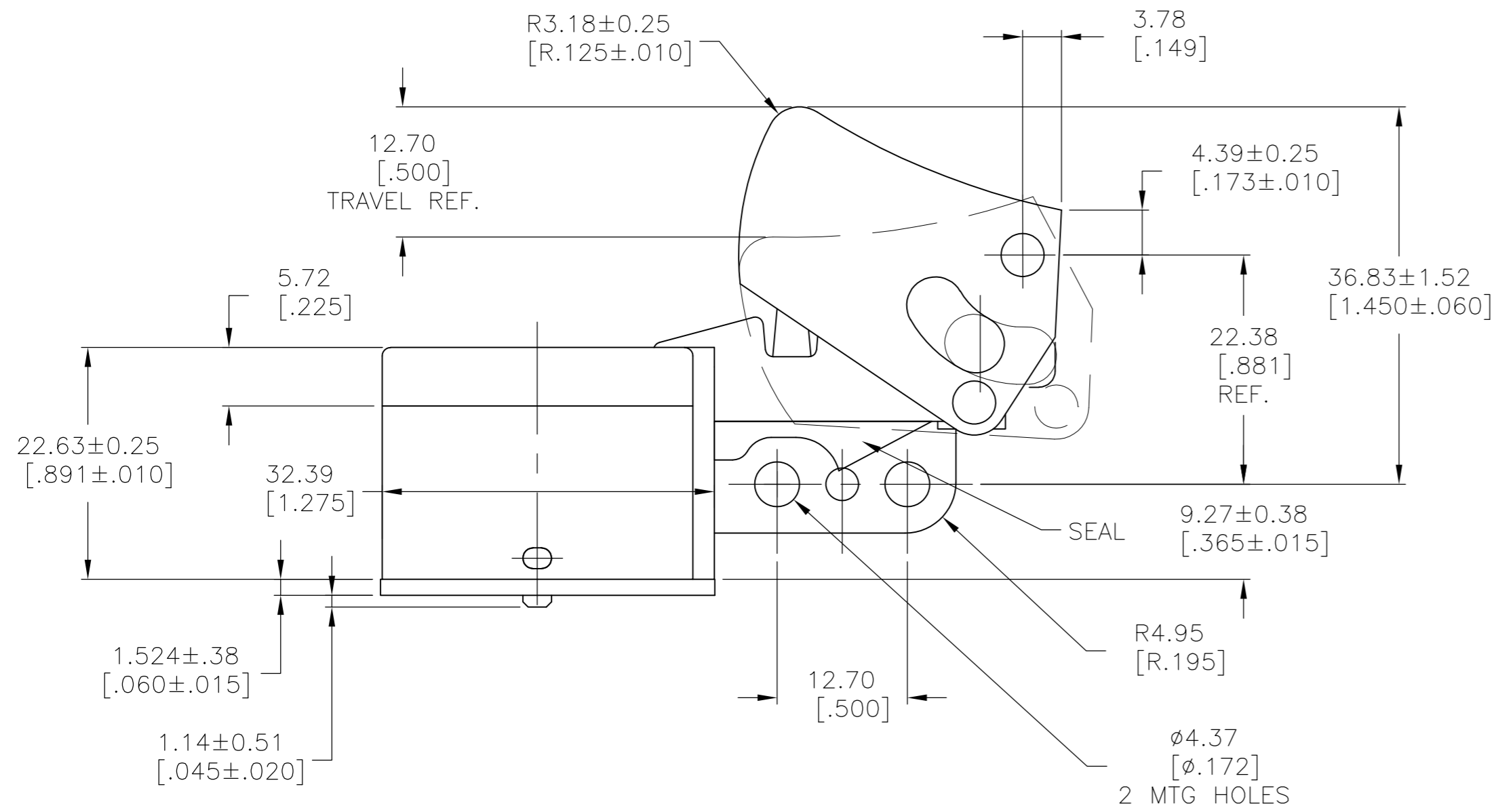
91-337-2	177.04±12.70[6.970±.500]
91-337	154.15±3.0[6.069±.118]
PART NO.	DIMENSION "A"
	91-337

THIS DRAWING IS A CONTROLLED DOCUMENT.		DWN W. LeonarD 04JUN92	Tyco Electronics Corporation Harrisburg, Pa 17105-3608	
DIMENSIONS: mm [INCHES]		CHK W. HANSON 10JUN92	NAME E-MOD PACKAGE W / BLACK & DECKER HEAT SINK	
TOLERANCES UNLESS OTHERWISE SPECIFIED:		APVD J. SMITH 12JUN92	SIZE A2	
0 PLC ± -		PRODUCT SPEC	CAGE CODE 00779	DRAWING NO C=1520166
1 PLC ± -		APPLICATION SPEC	RESTRICTED TO	
2 PLC ± -			-	
3 PLC ± .25[.010]		WEIGHT	-	
4 PLC ± -		CUSTOMER DRAWING	SCALE 4:1	SHEET 7 of 32
ANGLES ± -			REV AE1	
FINISH				

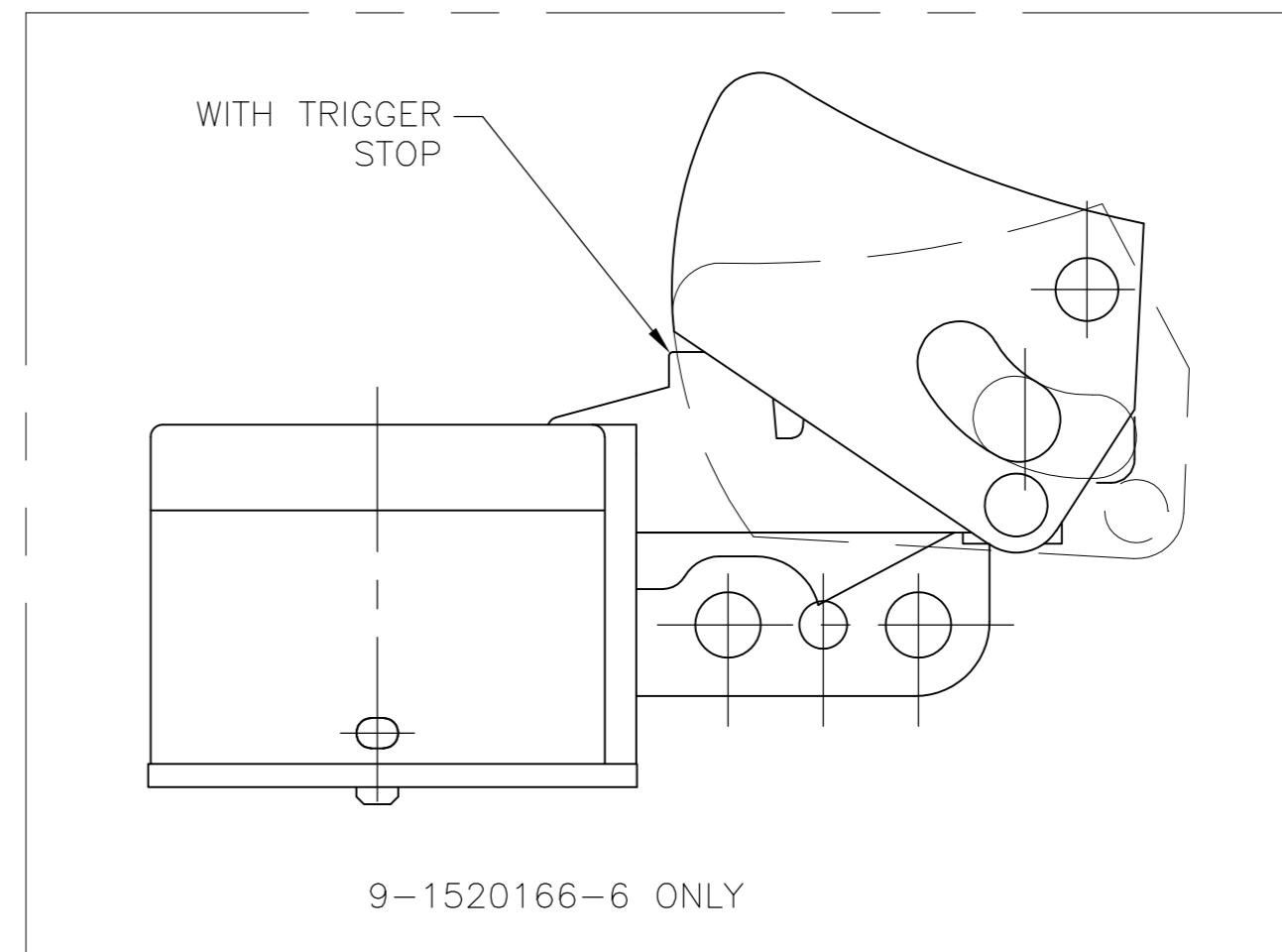
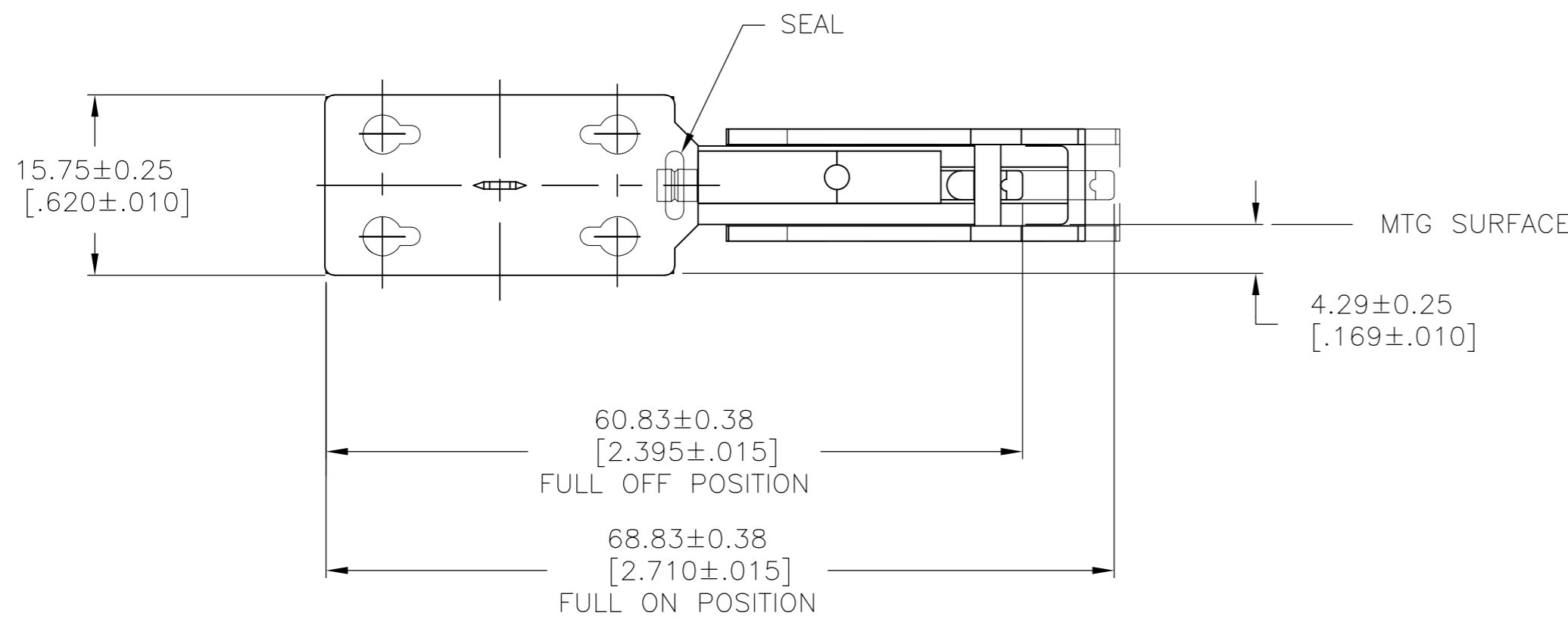
1520166

THIS DRAWING IS UNPUBLISHED. RELEASED FOR PUBLICATION
 © COPYRIGHT BY TYCO ELECTRONICS CORPORATION. ALL RIGHTS RESERVED.

LOC	DIST	REVISIONS			
P	LTR	DESCRIPTION	DATE	DWN	APVD
AD	00	SEE SHEET 1	-	-	-



NOTES:
 1. PUSH-IN TERMINAL OPENINGS TO RECEIVE #16 OR #18 GA. STRANDED TINNED LEADS. WIRE STRIPPED LENGTH TO BE 7.62-10.16 [.300-.400]



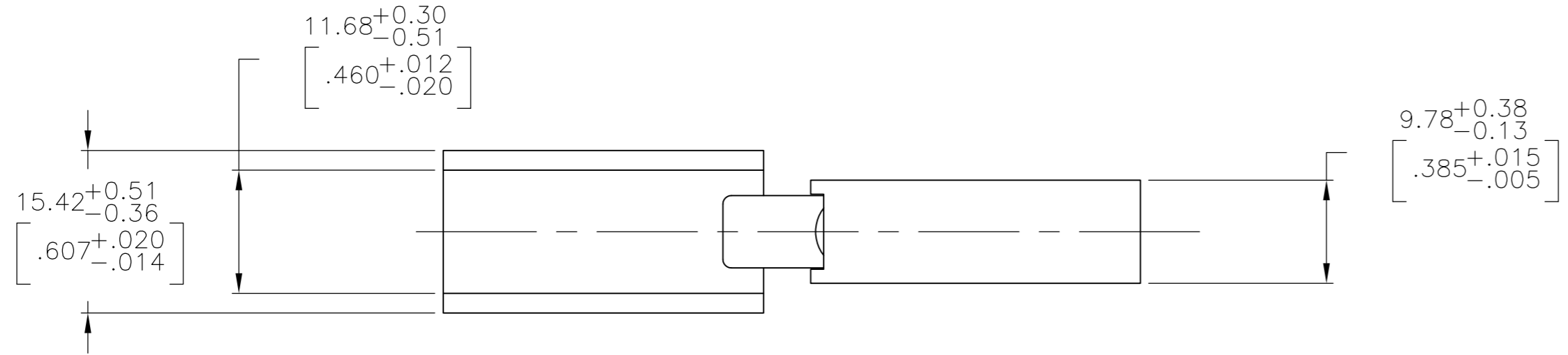
91-946

1520166-7	8907K156	BLACK	OBSOLETE
7-1520166-4	8907K159	BLACK	
9-1520166-6	-	BLACK	
TE SWITCH NO.	ARAB SWITCH NO.	TRIGGER COLOR	

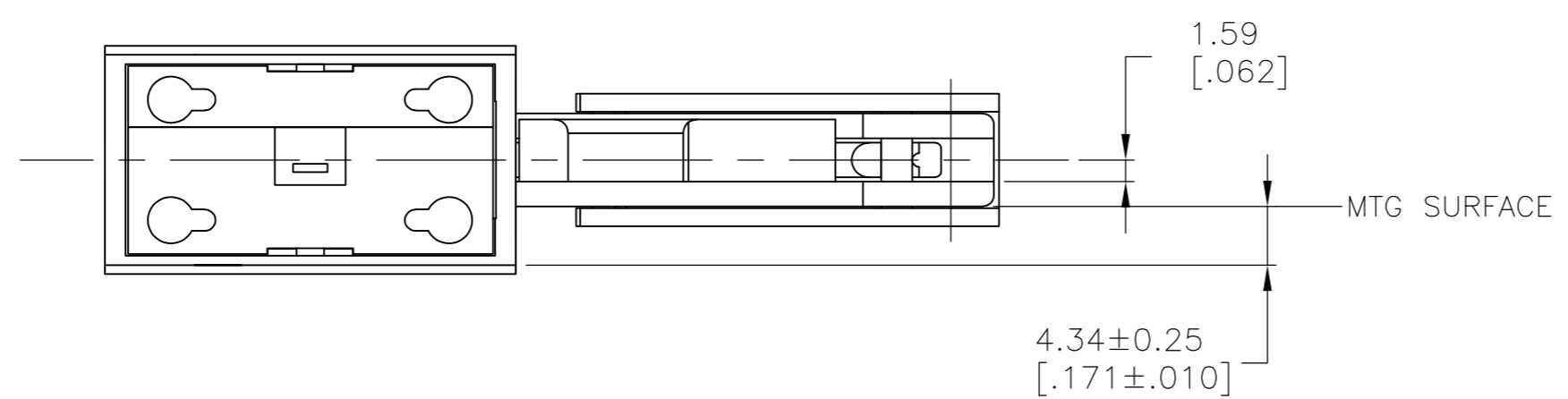
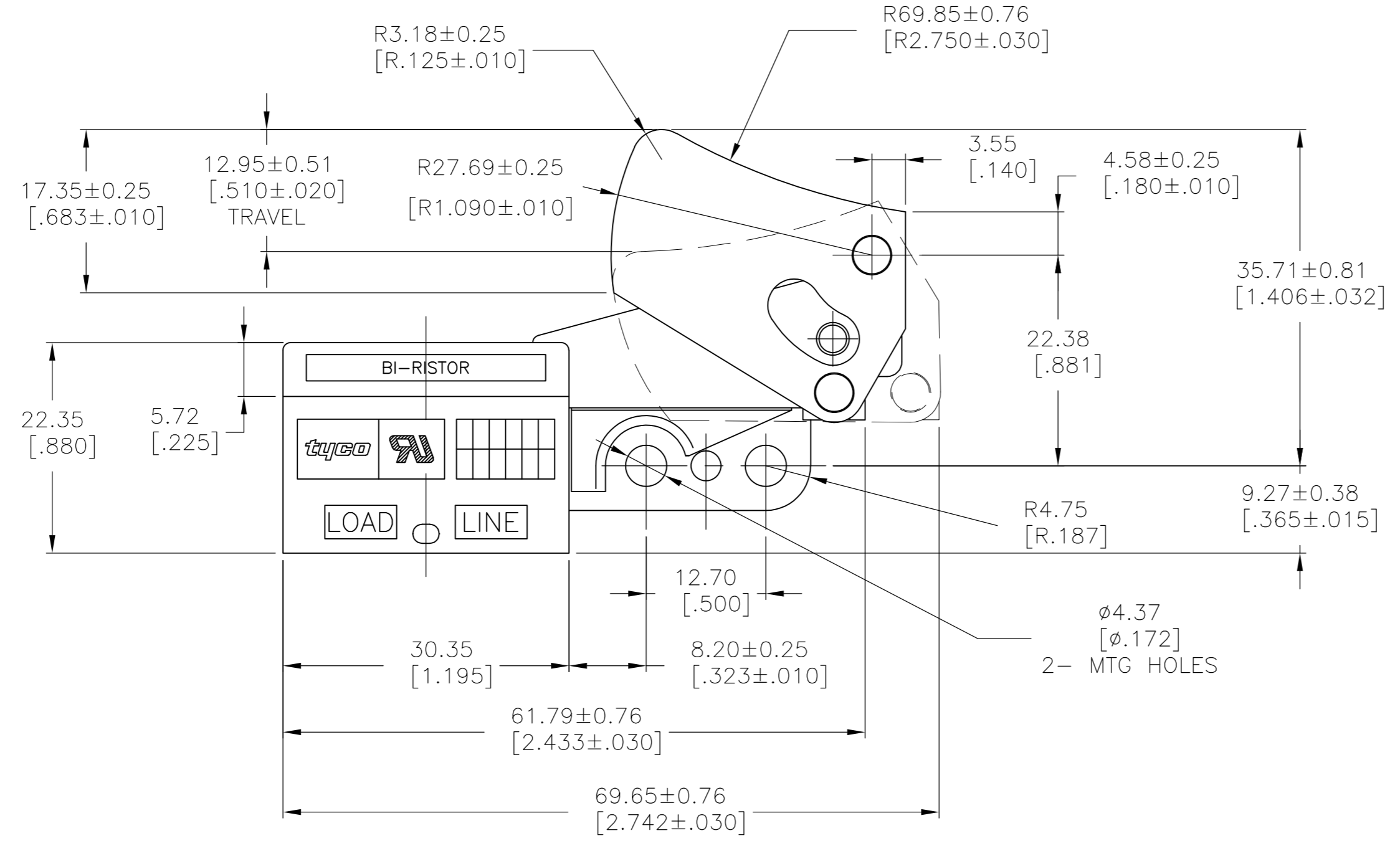
THIS DRAWING IS A CONTROLLED DOCUMENT.		DWN	25APR99	Tyco Electronics Corporation	
DIMENSIONS: mm [INCHES]		W. LeonarD		Harrisburg, Pa 17105-3608	
TOLERANCES UNLESS OTHERWISE SPECIFIED:		CHK	26APR99	NAME	
0 PLC	± -	C. DOBBS		8907 SERIES-DUST RESISTANT OVERHANGING SWITCH	
1 PLC	± -	APVD	27APR99	12A 125 VAC DPST WITH EXTERNAL ELECTRONICS.	
2 PLC	± -	J. THOMAS		Z-SPRING CONSTRUCTION	
3 PLC	± .13 [.005]	PRODUCT SPEC		SIZE	CAGE CODE
4 PLC	± -	APPLICATION SPEC		A2	00779
ANGLES	± 1			DRAWING NO	RESTRICTED TO
MATERIAL	FINISH	WEIGHT	-	C=1520166	-
		CUSTOMER DRAWING		SCALE	SHEET
				2:1	8 of 32
				REV	AE1

THIS DRAWING IS UNPUBLISHED. RELEASED FOR PUBLICATION
 © COPYRIGHT BY TYCO ELECTRONICS CORPORATION. ALL RIGHTS RESERVED.

LOC	DIST	REVISIONS					
AD	00	P	LTR	DESCRIPTION	DATE	DWN	APVD
		-	-	SEE SHEET 1	-	-	-



1. PUSH-IN TERMINAL OPENINGS TO RECEIVE #18 OR #20 GA. STRANDED TINNED LEADS. WIRE STRIPPED LENGTH TO BE 6.35-10.16[.250-.400].

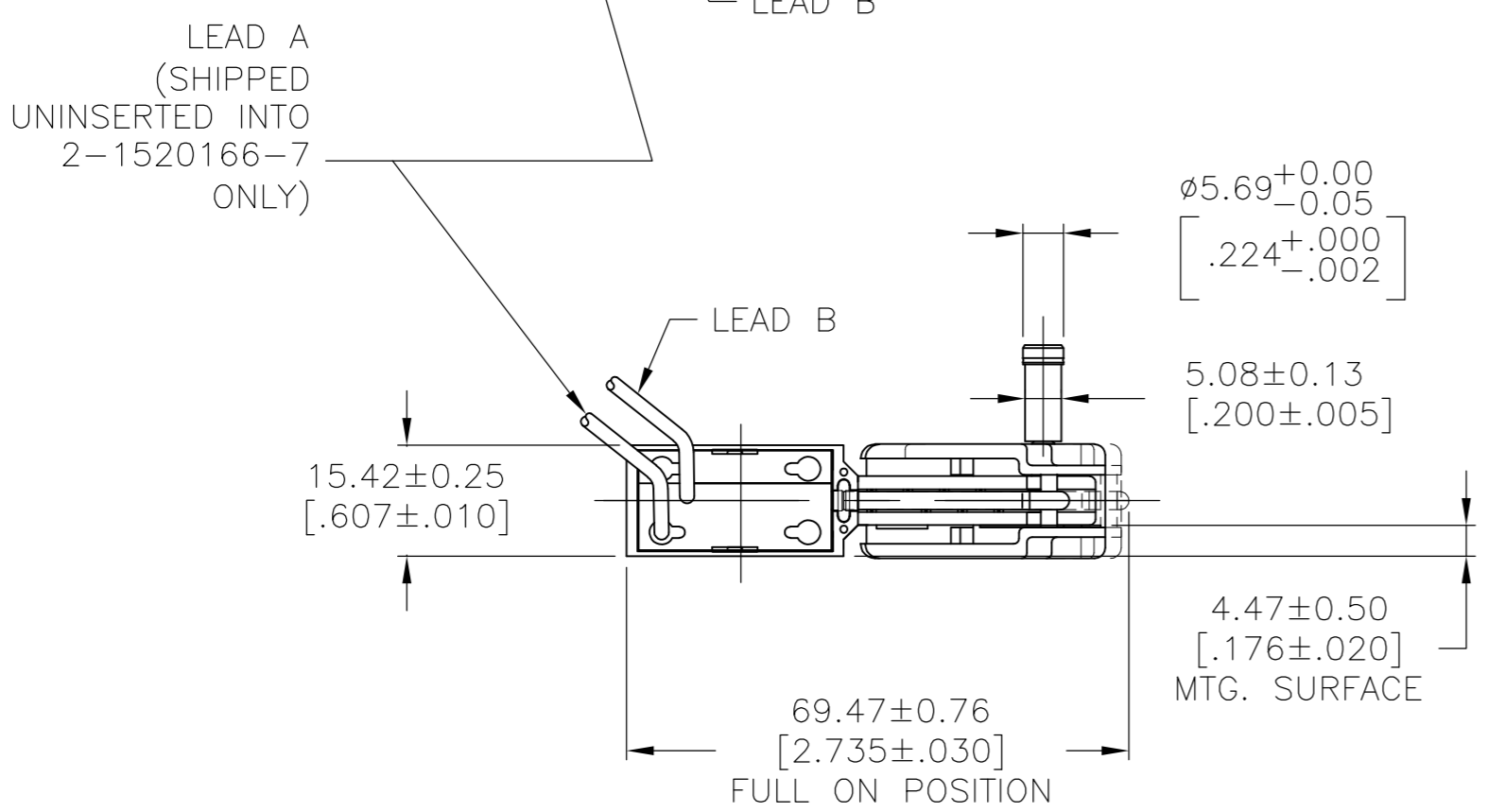
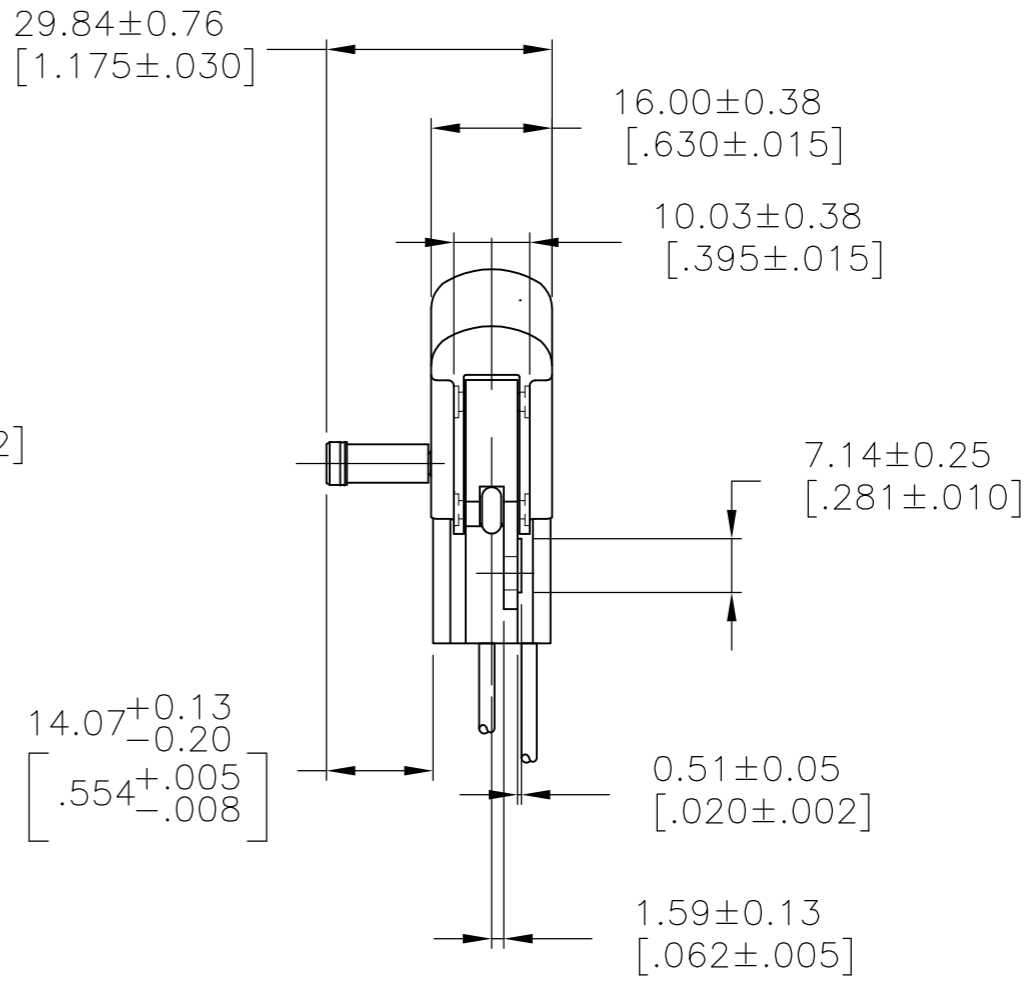
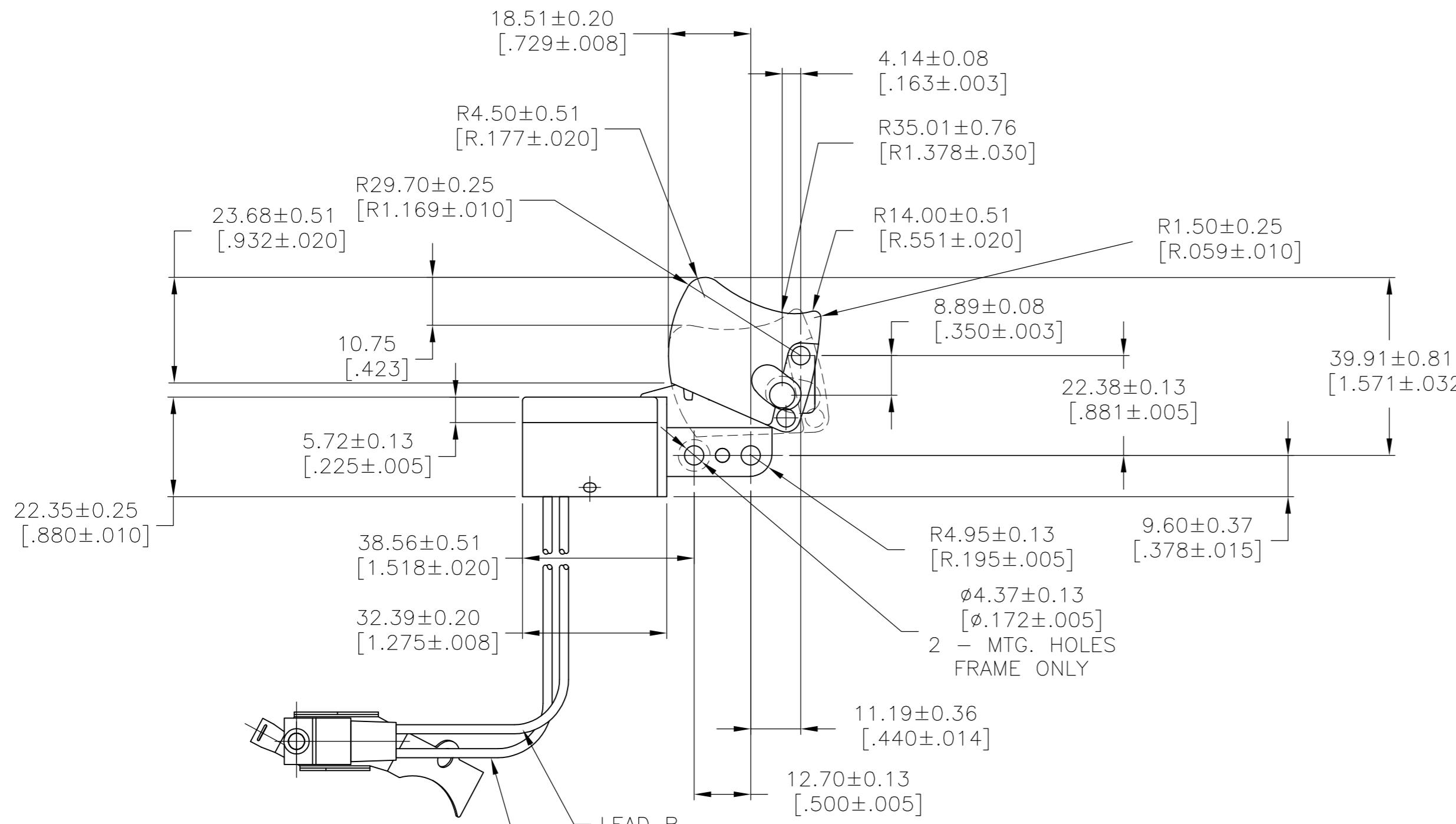


1520166 8	8907K157	BLACK	OBSOLETE
TE SWITCH NO.	ARAB SWITCH NO.	TRIGGER COLOR	

THIS DRAWING IS A CONTROLLED DOCUMENT.		DWN W. HANSON 13MAY94	Tyco Electronics Corporation Tyco Electronics Corporation Harrisburg, Pa 17105-3608	
DIMENSIONS: mm [INCHES]		CHK W. LeonarD 16MAY94	NAME 8907 SERIES - OVERHANGING SWITCH	
TOLERANCES UNLESS OTHERWISE SPECIFIED:		APVD E. WESOLEK 16MAY94	8.5A 125 VAC DPST WITH INTERNAL QUICK CONNECT HEAT SINK, Z-SPRING CONSTRUCTION	
0 PLC ± -		PRODUCT SPEC -	SIZE A2	CAGE CODE 00779
1 PLC ± -		APPLICATION SPEC -	DRAWING NO C=1520166	RESTRICTED TO -
2 PLC ± -		WEIGHT -	SCALE 2:1	SHEET 10 of 32
3 PLC ± .13[.005]		CUSTOMER DRAWING	REV AE1	
4 PLC ± -				
ANGLES ± 1°				
FINISH -				

THIS DRAWING IS UNPUBLISHED. RELEASED FOR PUBLICATION
 © COPYRIGHT BY TYCO ELECTRONICS CORPORATION. ALL RIGHTS RESERVED.

LOC		DIST		REVISIONS			
P	LTR	DESCRIPTION	DATE	DWN	APVD		
AD	00	SEE SHEET 1					



1. PUSH-IN TERMINAL OPENINGS TO RECEIVE # 18 GA OR #20 GA STRANDED TIN DIPPED WIRE. WIRE STRIP LENGTH 6.35 - 10.16 [.250 - .400] (PULL OUT FORCE MUST BE 5 LBS MIN.)
2. PULL OUT FORCE OF LEAD A MUST EXCEED 14 LBS.
3. SEE DWG NO. 91-778 ON C-1520166 SHT12 FOR DIMENSIONS OF EXTERNAL TRIAC WITH LEADS AND BLACK & DECKER HEAT SINK.

TE NO.	ARAB NO.	RATING	DESCRIPTION	LEAD A	LEAD B	LOCK BUTTON	TRIGGER COLOR
2-1520166-7	8907K530	3A 250 VAC	DPST WITH EXTERNAL ELECTRONICS	WHITE	BLACK	YES - BLACK	BLACK
1-1520166-0	8907K178	10A 125 VAC	DPST WITH EXTERNAL ELECTRONICS	BLACK	WHITE	NO	BLACK
1520166-9	8907K177	10A 125 VAC	SPST WITH BUSSING & EXTERNAL ELECTRONICS	WHITE	BLACK	NO	BLACK

OBS

THIS DRAWING IS A CONTROLLED DOCUMENT. DWN B. BURGESS 12DEC95

Tyco Electronics Corporation Harrisburg, Pa 17105-3608

8907 SERIES-DUST RESISTANT OVERHANGING SWITCH

SIZE A2 CAGE CODE 00779 DRAWING NO. C=1520166 RESTRICTED TO

CUSTOMER DRAWING SCALE 1:1 SHEET 11 OF 32 REV AE1

THIS DRAWING IS UNPUBLISHED. RELEASED FOR PUBLICATION
 © COPYRIGHT BY TYCO ELECTRONICS CORPORATION. ALL RIGHTS RESERVED.

LOC		DIST		REVISIONS			
P	LTR	DESCRIPTION	DATE	DWN	APVD		
AD	00	SEE SHEET 1	-	-	-		

D

C

B

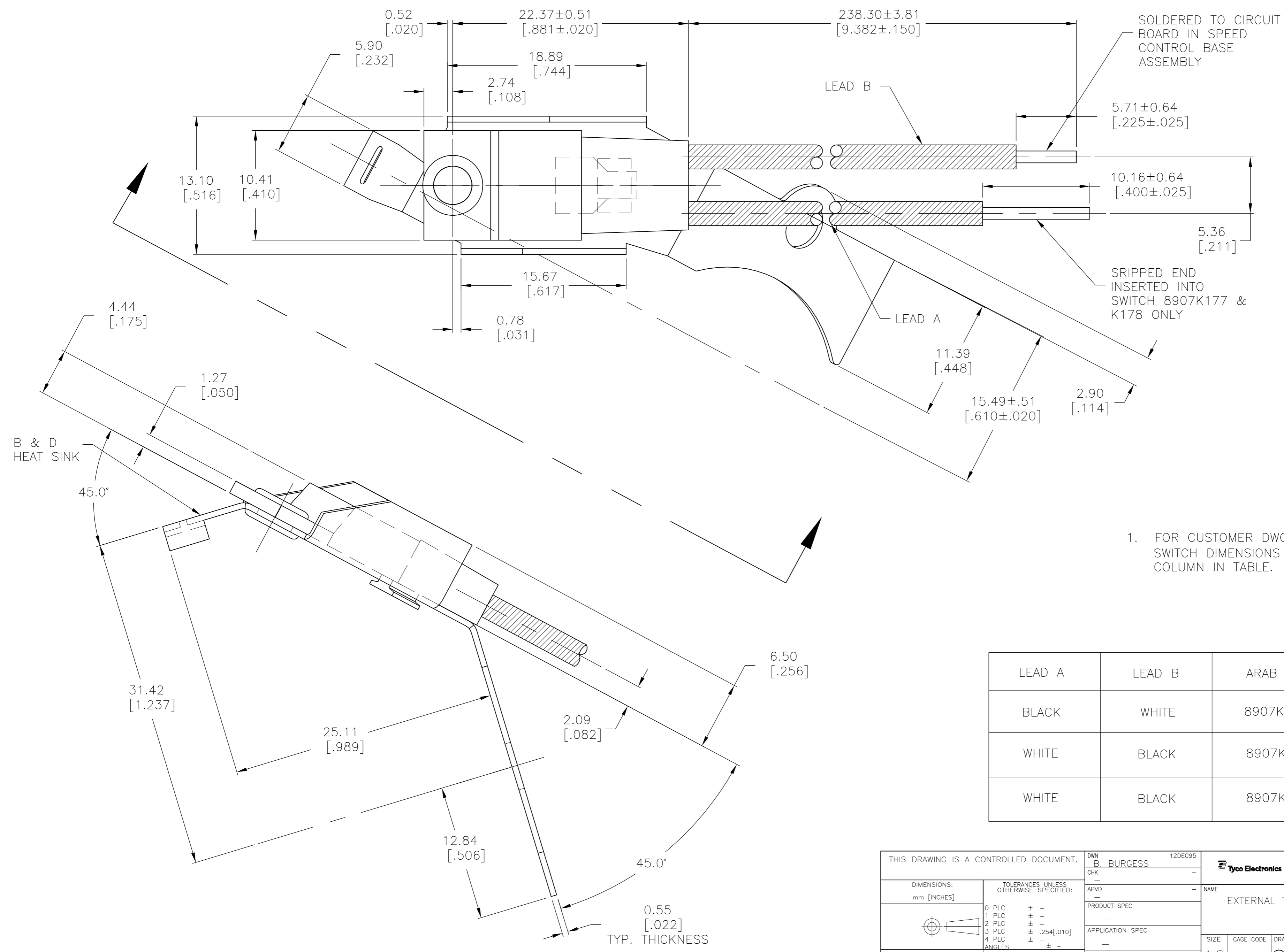
A

D

C

B

A



SOLDERED TO CIRCUIT BOARD IN SPEED CONTROL BASE ASSEMBLY

5.71±0.64
[.225±.025]

10.16±0.64
[.400±.025]

5.36
[.211]

SRIPPED END INSERTED INTO SWITCH 8907K177 & K178 ONLY

1. FOR CUSTOMER DWG NUMBER WITH COMPLETE SWITCH DIMENSIONS SEE 'FINAL CUST DWG' COLUMN IN TABLE.

LEAD A	LEAD B	ARAB NO.	FINAL CUST DWG
BLACK	WHITE	8907K178	C-1520166 SHT11
WHITE	BLACK	8907K177	C-1520166 SHT11
WHITE	BLACK	8907K530	C-1520166 SHT11

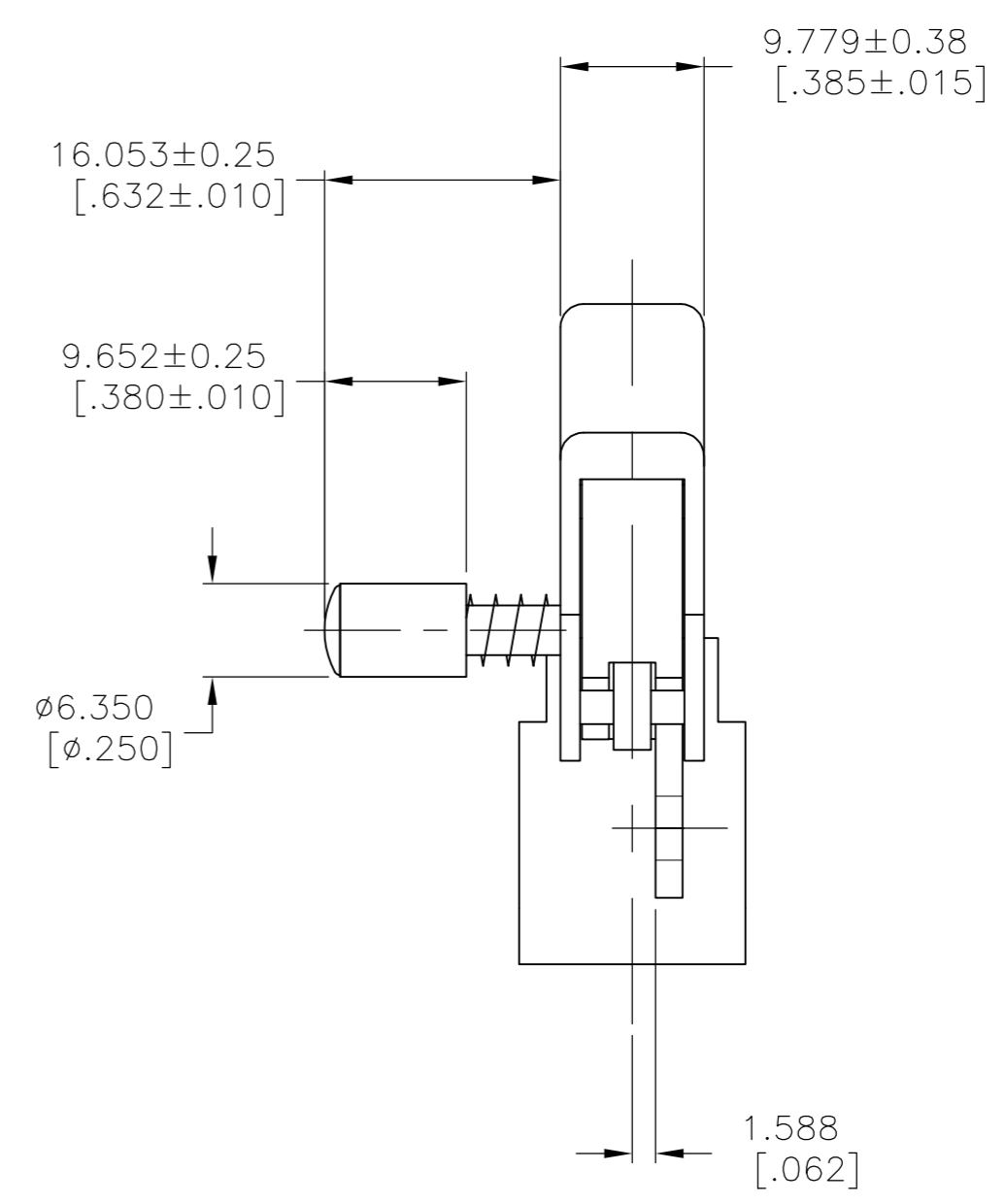
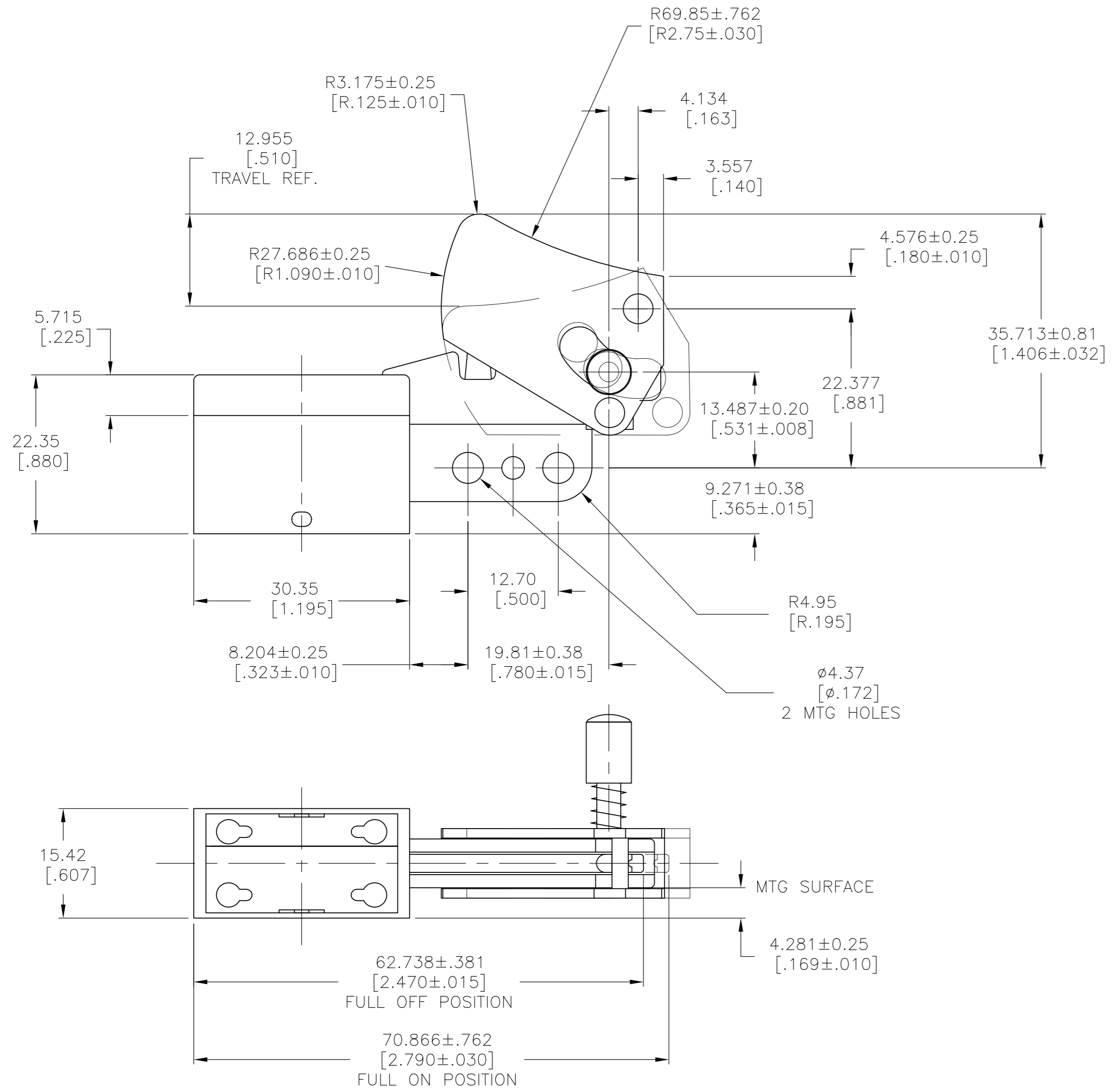
91-778

THIS DRAWING IS A CONTROLLED DOCUMENT.		DWN B. BURGESS	12DEC95	Tyco Electronics Corporation Harrisburg, Pa 17105-3608	
DIMENSIONS: mm [INCHES]		CHK -	APVD -	NAME EXTERNAL TRIAC ASSY W/ BLACK & DECKER HEAT SINK	
TOLERANCES UNLESS OTHERWISE SPECIFIED: 0 PLC ± - 1 PLC ± - 2 PLC ± - 3 PLC ± .254[.010] 4 PLC ± - ANGLES ± -		PRODUCT SPEC -		APPLICATION SPEC -	
MATERIAL -	FINISH -	WEIGHT -	SCALE A2	CAGE CODE 00779	DRAWING NO C=1520166
CUSTOMER DRAWING			RESTRICTED TO -	SHEET 12 OF 32	REV AE1

1520166

THIS DRAWING IS UNPUBLISHED. RELEASED FOR PUBLICATION
 © COPYRIGHT BY TYCO ELECTRONICS CORPORATION. ALL RIGHTS RESERVED.

LOC	DIST	REVISIONS			
P	LTR	DESCRIPTION	DATE	DWN	APVD
AD	00	SEE SHEET 1	-	-	-



1. PUSH-IN TERMINAL OPENINGS TO RECEIVE #18 OR #20 GA. STRANDED TINNED LEADS. WIRE STRIPPED LENGTH TO BE 6.35-10.16 [.250 - .400].

91-654
91-800

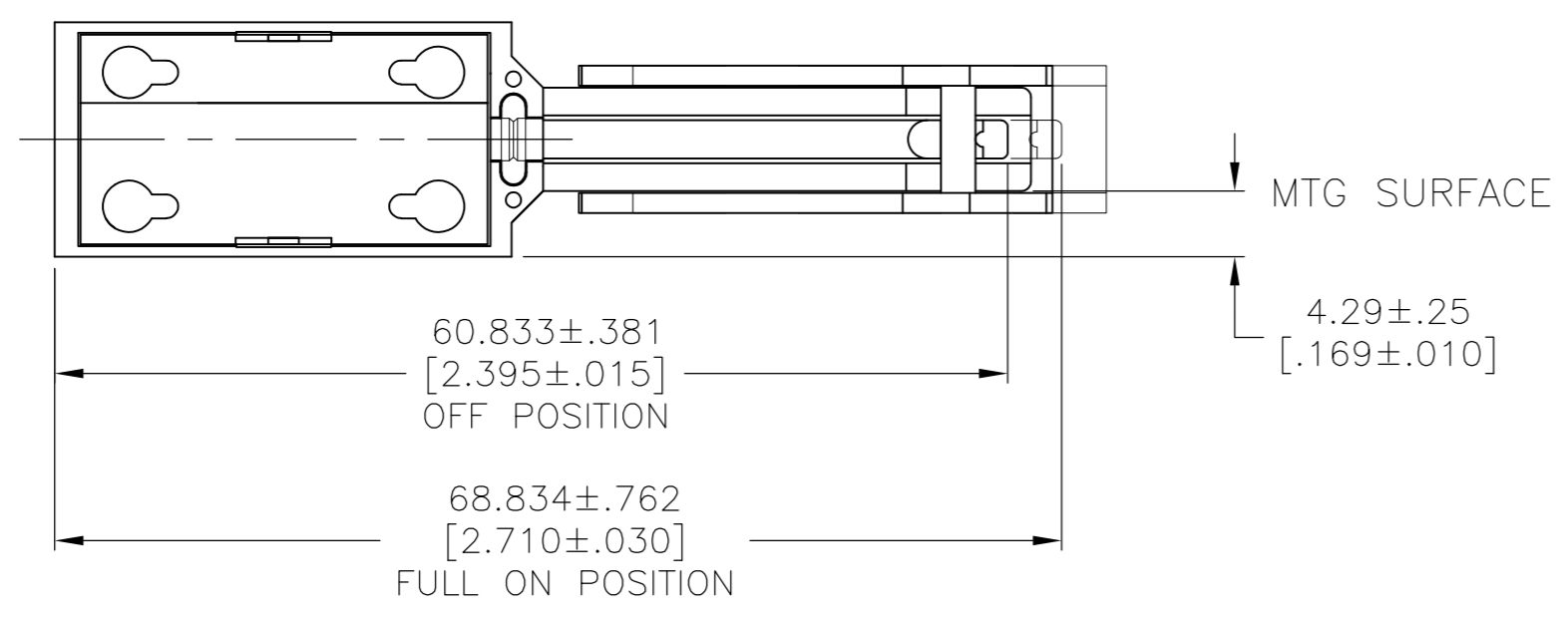
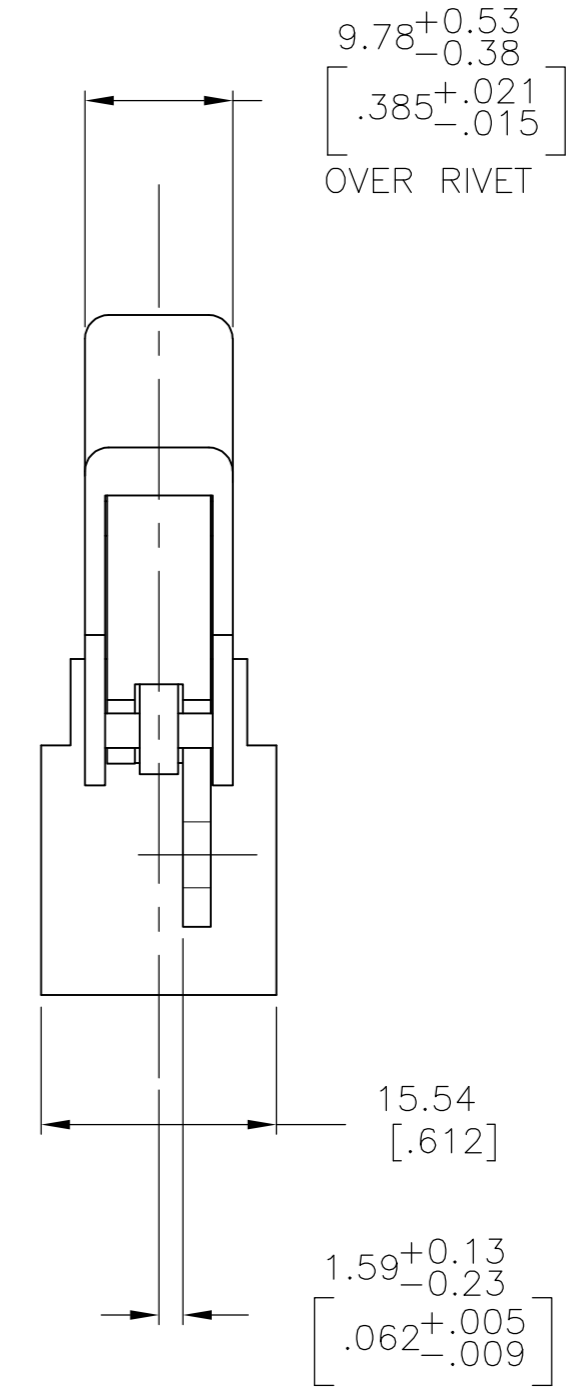
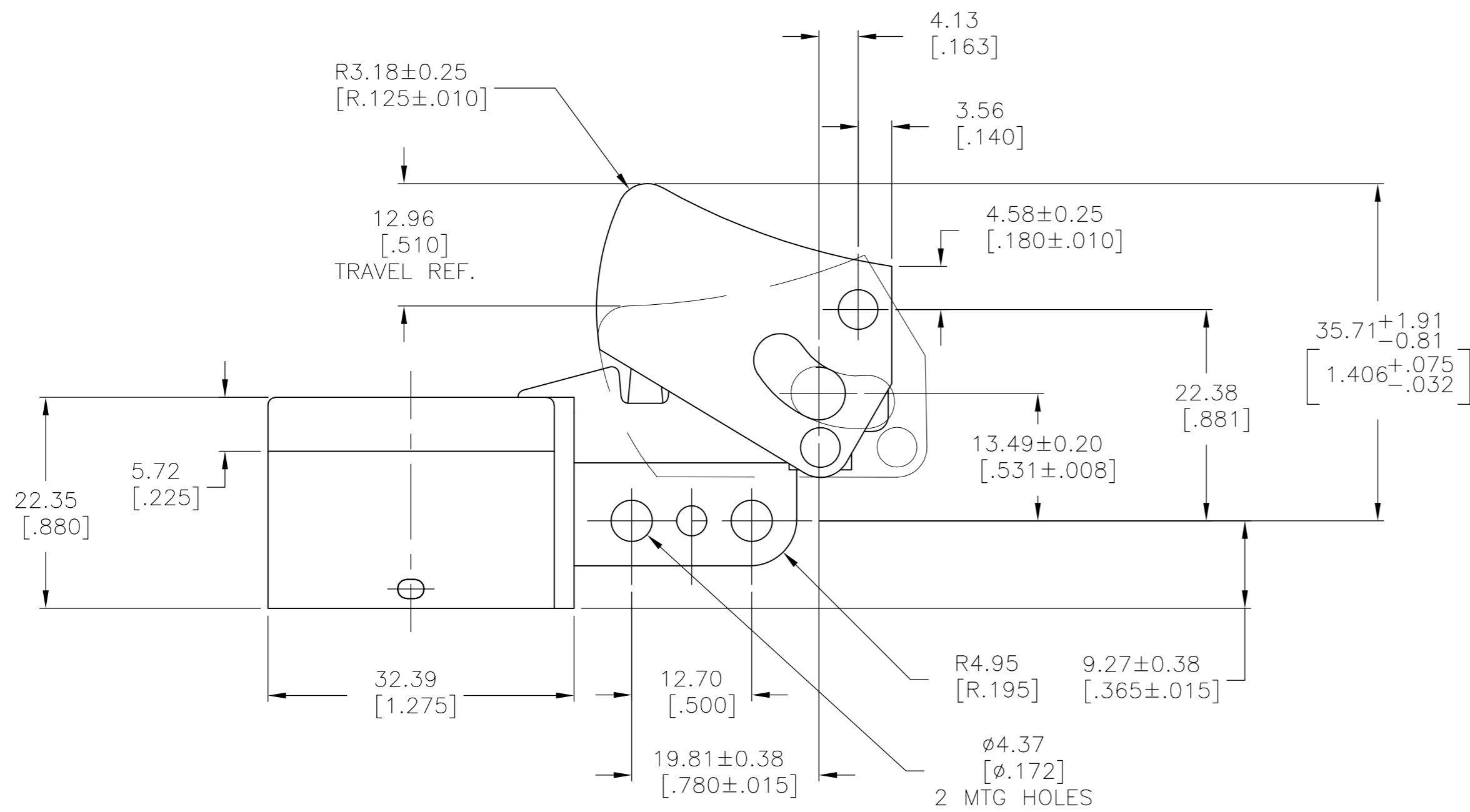
TE NO.	ARAB NO.	RATING	DESCRIPTION	LOCK BUTTON COLOR	TRIGGER COLOR
1-1520166-3	8907K193	10A 125VAC / 3A 250VAC	DPST ON - OFF, Z-SPRING CONSTRUCTION	BLACK	BLACK
1-1520166-5	8907K291	6A 125VAC / 3A 250VAC	DPST ON - OFF, Z-SPRING CONSTRUCTION	RED	RED
1-1520166-7	8907K343	6A 125 VAC	DPST WITH RFI LEAD, Z-SPRING / DISCRETE COMPONENT CONSTRUCTION	RED	RED
2-1520166-5	8907K493	6A 125VAC / 3A 250VAC	DPST ON - OFF, Z-SPRING CONSTRUCTION	RED	RED
9-1520166-4	-	10A 125VAC / 3A 250VAC	DPST ON - OFF, Z-SPRING CONSTRUCTION, DUST SEAL, NO LOCK	-	BLACK

THIS DRAWING IS A CONTROLLED DOCUMENT.

DWN W. LeonarD 20MAY95	Tyco Electronics Corporation Harrisburg, Pa 17105-3608
CHK J. HUGGINS 02APR97	
APVD B. BURGESS 02APR97	
PRODUCT SPEC	
DIMENSIONS: mm [INCHES]	TOLERANCES UNLESS OTHERWISE SPECIFIED: 0 PLC ± - 1 PLC ± - 2 PLC ± - 3 PLC ± .13[.005] 4 PLC ± - ANGLES ± 1°
MATERIAL	FINISH
NAME: 8907 SERIES- OVERHANGING SWITCH SIZE: A2 CAGE CODE: 00779 DRAWING NO: 1520166 RESTRICTED TO: - WEIGHT: - SCALE: 2:1 SHEET: 13 OF 32 REV: AE1 CUSTOMER DRAWING	

THIS DRAWING IS UNPUBLISHED. RELEASED FOR PUBLICATION
 © COPYRIGHT BY TYCO ELECTRONICS CORPORATION. ALL RIGHTS RESERVED.

LOC		DIST		REVISIONS			
P	LTR	DESCRIPTION	DATE	DWN	APVD		
-	-	SEE SHEET 1	-	-	-		



1. PUSH-IN TERMINAL OPENINGS TO RECEIVE #18 OR #20 GA. STRANDED TINNED LEADS. WIRE STRIPPED LENGTH TO BE 6.35-10.16 [.250 - .400].

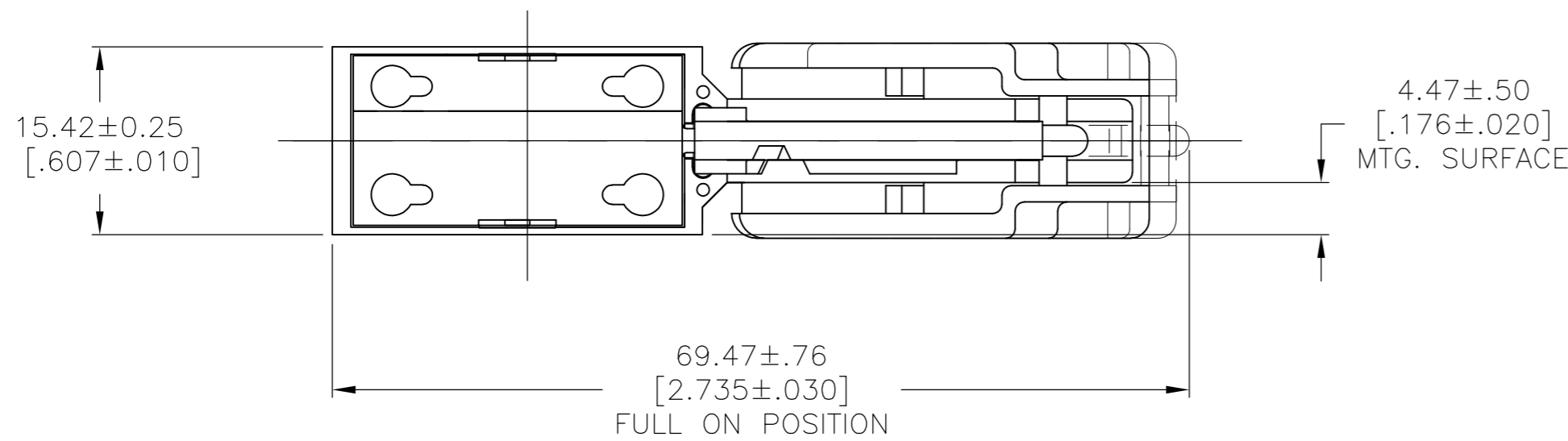
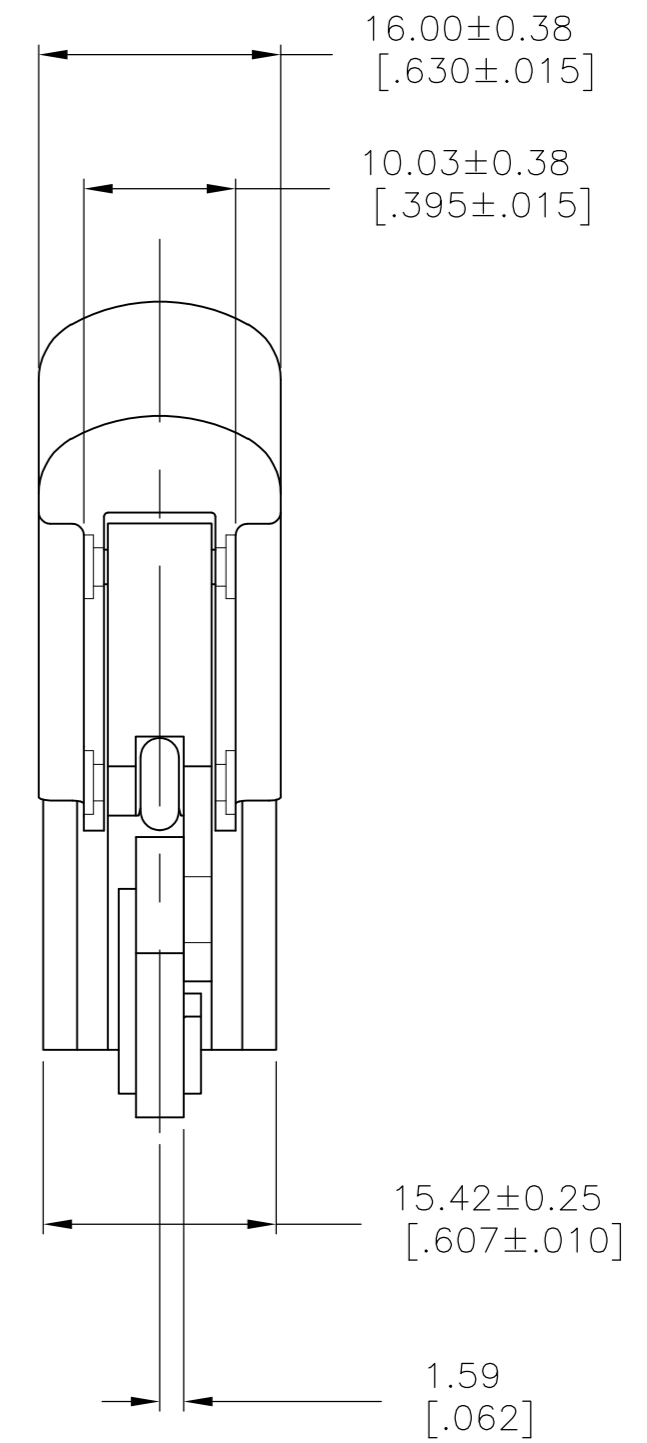
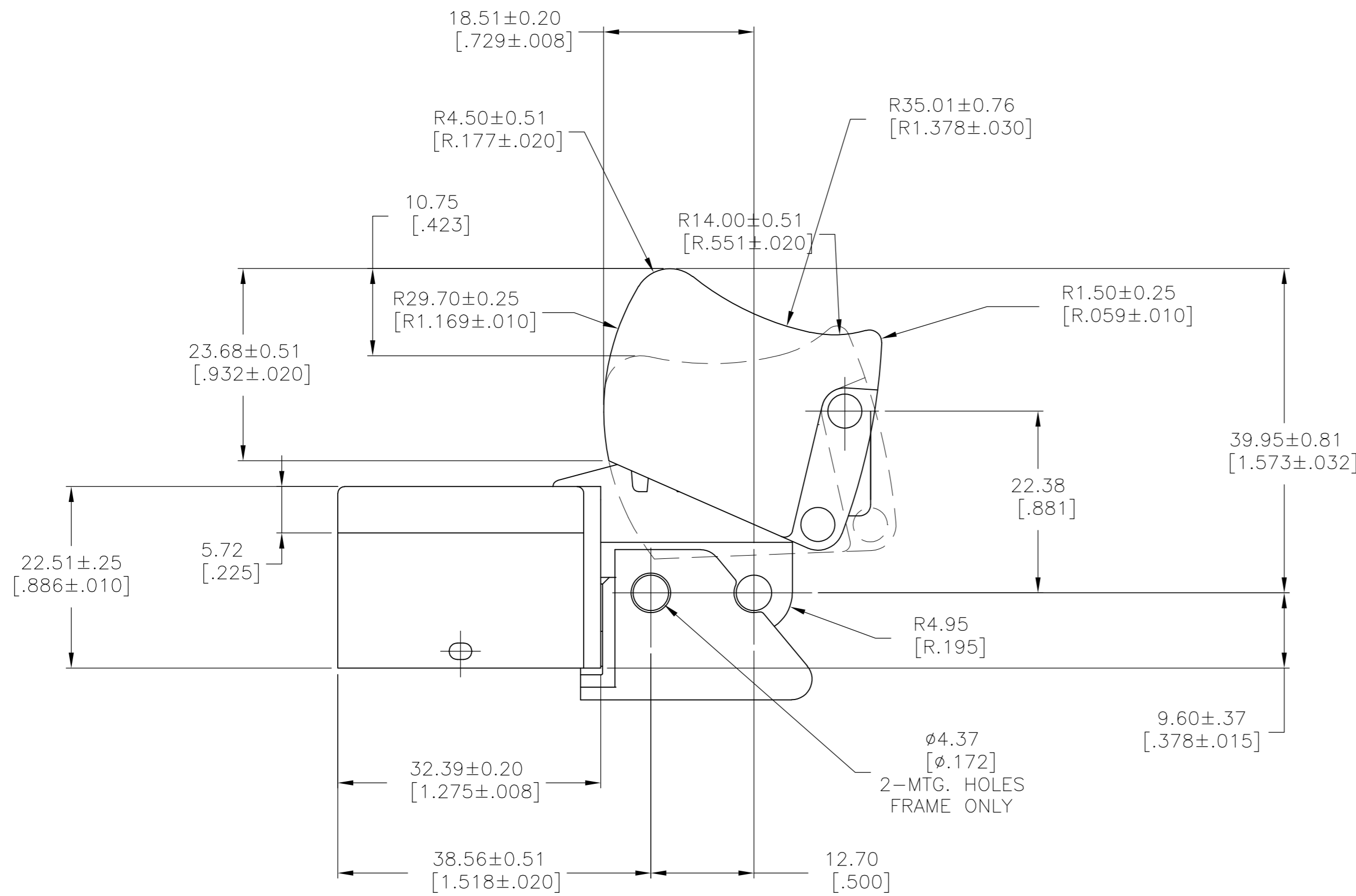
91-887

1-1520166-8	8907K345	RED
TE SWITCH NO.	ARAB SWITCH NO.	TRIGGER COLOR

THIS DRAWING IS A CONTROLLED DOCUMENT.		DWN W. Leonard	01JUL98	Tyco Electronics Corporation Harrisburg, Pa 17105-3608	
DIMENSIONS: mm [INCHES]		CHK W. HANSON	01JUL98	NAME 8907 SERIES-DUST RESISTANT OVERHANGING SWITCH 6A 125 VAC DPST ON-OFF Z-SPRING CONSTRUCTION	
TOLERANCES UNLESS OTHERWISE SPECIFIED:		APVD J. SMITH	01JUL98	PRODUCT SPEC	APPLICATION SPEC
0 PLC ± -		MATERIAL		WEIGHT	SCALE
1 PLC ± -		FINISH		SIZE	CAGE CODE
2 PLC ± -				DRAWING NO.	RESTRICTED TO
3 PLC ± .13 [.005]				A2 00779	1520166
4 PLC ± -				CUSTOMER DRAWING	SCALE 2:1
ANGLES ± 1°				SHEET 14 OF 32	REV AE1

THIS DRAWING IS UNPUBLISHED. RELEASED FOR PUBLICATION
 © COPYRIGHT BY TYCO ELECTRONICS CORPORATION. ALL RIGHTS RESERVED.

LOC	DIST	REVISIONS					
AD	00	P	LTR	DESCRIPTION	DATE	DWN	APVD
		-	-	SEE SHEET 1	-	-	-



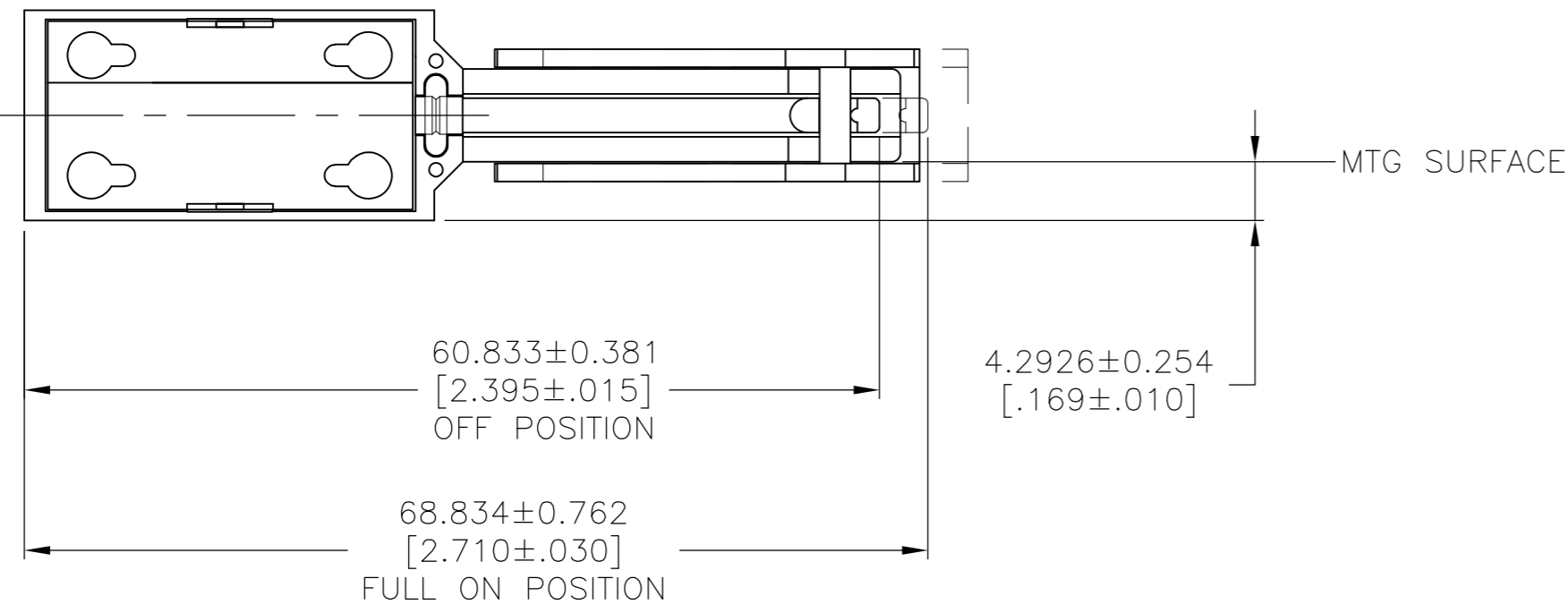
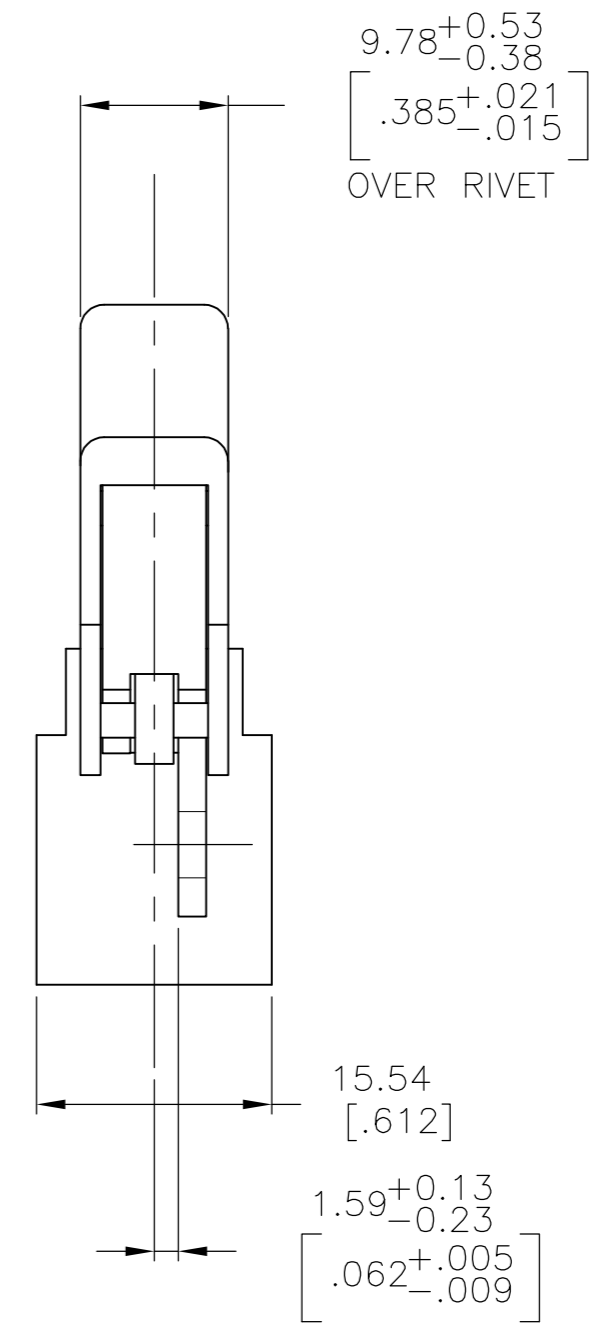
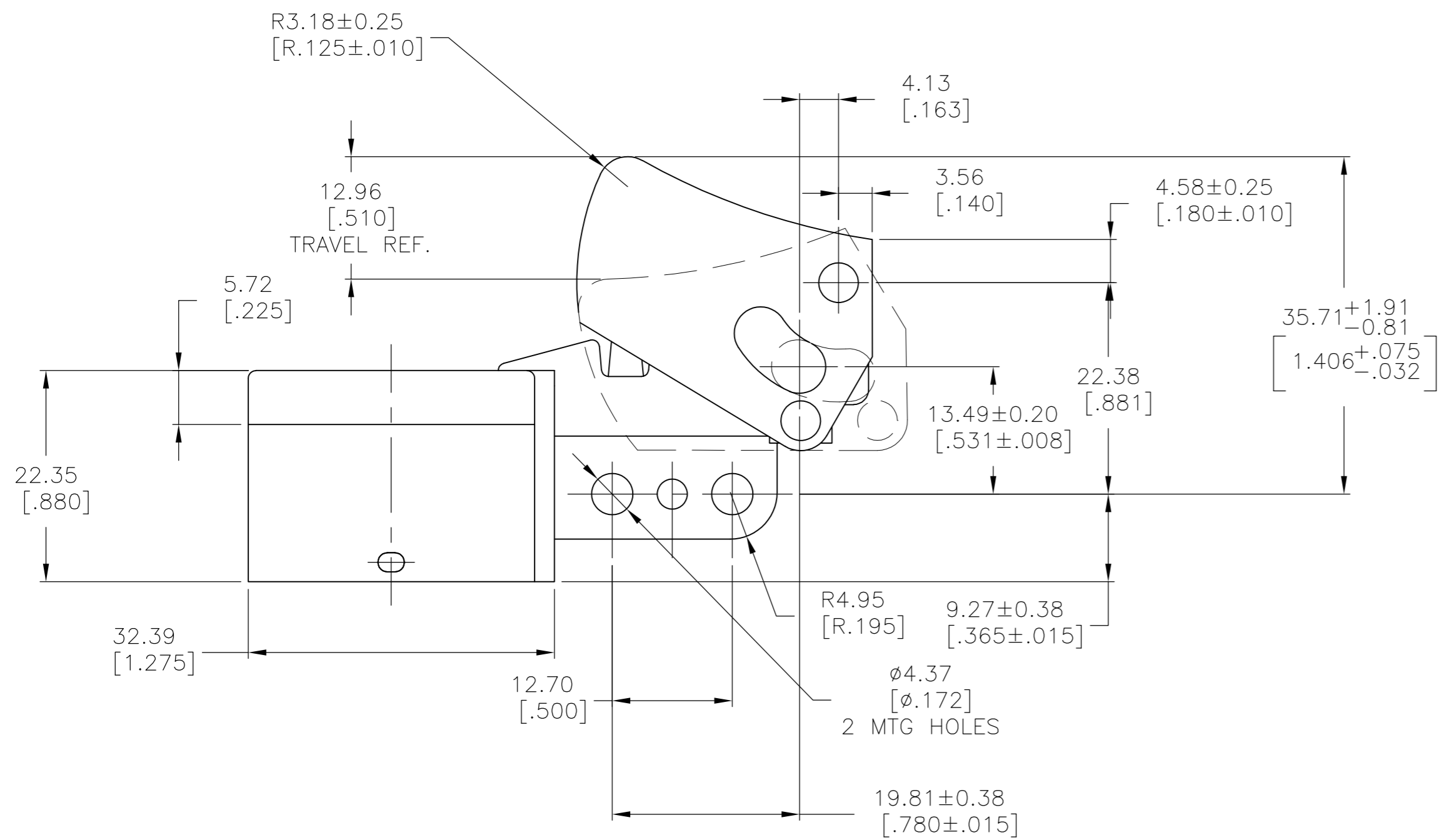
91-16225

TE SWITCH NO.	ARAB SWITCH NO.	TRIGGER COLOR
9-1520166-7	N/A	QUANTUM YELLOW
8-1520166-4	N/A	QUANTUM RED
4-1520166-2	8907K414	ROSE RED
2-1520166-0	8907K406	BLACK

THIS DRAWING IS A CONTROLLED DOCUMENT.		DWN T. CHRISTENSEN 31MAY00	Tyco Electronics Corporation Harrisburg, Pa 17105-3608	
DIMENSIONS: mm [INCHES]		CHK W. LeonarD 02JUN00	NAME 8907 SERIES-DUST RESISTANT OVERHANGING SWITCH 10A 125 VAC SPST WITH BUSSING AND 2ND HEATSINK, Z-SPRING / D-PAK CONSTRUCTION	
TOLERANCES UNLESS OTHERWISE SPECIFIED:		APVD W. HANSON 02JUN00	PRODUCT SPEC	RESTRICTED TO
0 PLC ± -		APPLICATION SPEC	SIZE A2	CAGE CODE 00779
1 PLC ± -		WEIGHT	DRAWING NO C=1520166	REV AE1
2 PLC ± -		CUSTOMER DRAWING	SCALE 2:1	SHEET 15 of 32
3 PLC ± .13[.005]				
4 PLC ± -				
ANGLES ± 1°				
FINISH				

THIS DRAWING IS UNPUBLISHED. RELEASED FOR PUBLICATION
 © COPYRIGHT BY TYCO ELECTRONICS CORPORATION. ALL RIGHTS RESERVED.

LOC	DIST	REVISIONS					
AD	00	P	LTR	DESCRIPTION	DATE	DWN	APVD
		-	-	SEE SHEET 1	-	-	-



1. PUSH-IN TERMINAL OPENINGS TO RECEIVE #18 OR #20 GA. STRANDED TINNED LEADS. WIRE STRIPPED LENGTH TO BE 6.35-10.16 [.250 - .400].

91-16259

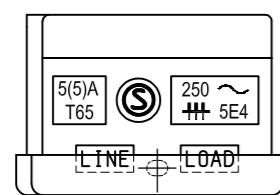
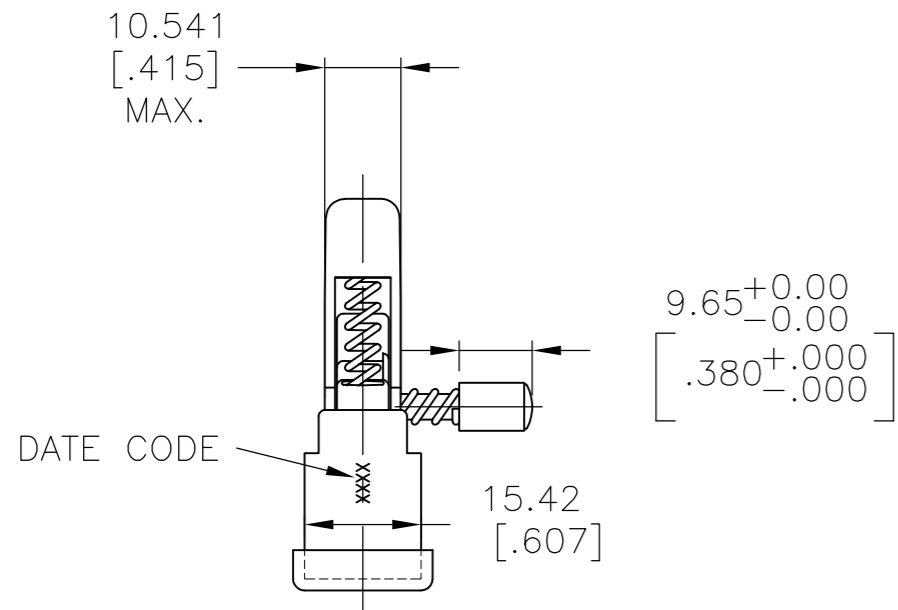
2-1520166-2	8907K419	BLACK
TE SWITCH NO.	ARAB SWITCH NO.	TRIGGER COLOR

THIS DRAWING IS A CONTROLLED DOCUMENT.		DWN W. LeonarD 01JUN00	Tyco Electronics Corporation Harrisburg, Pa 17105-3608	
DIMENSIONS: mm [INCHES]		CHK T. CHRISTENSEN 02JUN00	NAME M. WARDRUP 04JUN00	
TOLERANCES UNLESS OTHERWISE SPECIFIED:		APVD M. WARDRUP 04JUN00	PRODUCT SPEC 8907 SERIES-DUST RESISTANT OVERHANGING SWITCH 6A 125 VAC DPST Z-SPRING / D-PAK CONSTRUCTION	
0 PLC ± - 1 PLC ± - 2 PLC ± - 3 PLC ± .13 [.005] 4 PLC ± - ANGLES ± 1°		APPLICATION SPEC -	SIZE A2	CAGE CODE 00779
MATERIAL -	FINISH -	WEIGHT -	DRAWING NO. C=1520166	RESTRICTED TO -
CUSTOMER DRAWING			SCALE 2:1	SHEET 16 OF 32

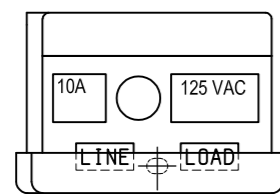
THIS DRAWING IS UNPUBLISHED. RELEASED FOR PUBLICATION
 © COPYRIGHT BY TYCO ELECTRONICS CORPORATION. ALL RIGHTS RESERVED.

LOC		DIST		REVISIONS			
AD	00	P	LTR	DESCRIPTION	DATE	DWN	APVD
				SEE SHEET 1			

1. PUSH-IN TERMINAL OPENINGS TO RECEIVE #18 GA OR #20 GA STRANDED TINNED LEADS. WIRE STRIP LENGTH 6.35-10.16 [.250 - .400].



TYCO SWITCH NO. 2-1520166-6
 (ARAB PLANT NO. 8907K529)
 MADE OBSOLETE PER
 ECOG3G-0051-02
 SUPERCEDED BY 4-1520166-6

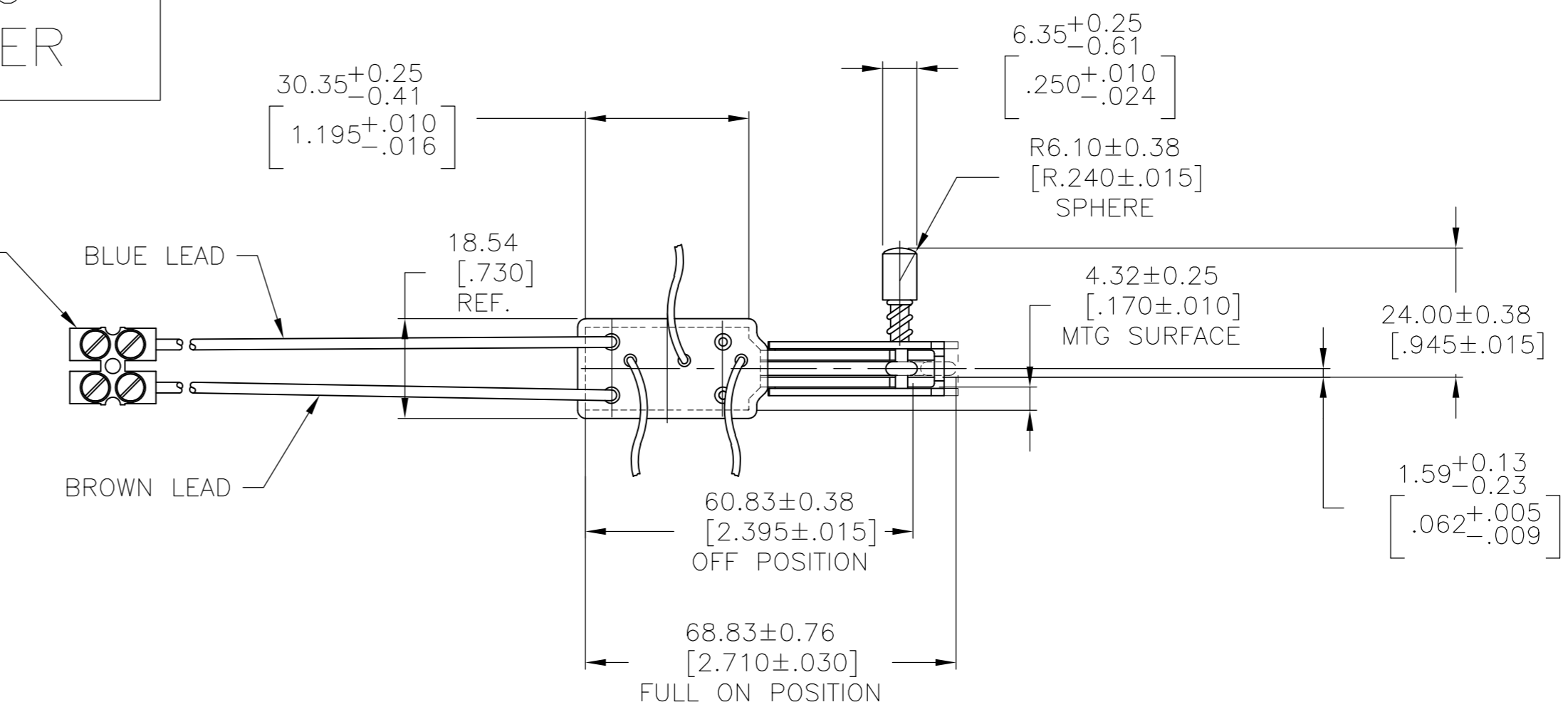


TYCO SWITCH NO. 3-1520166-0
 (ARAB PLANT NO. 8907K545)
 MADE OBSOLETE PER
 ECOG3G-0051-02
 SUPERCEDED BY 4-1520166-6

MADE OBSOLETE PER
 ECO-G3G-0051-02
 SEE TABLE FOR
 SUPERCEDING
 SWITCH NUMBER

TERMINAL BLOCK

BLUE LEAD
 BROWN LEAD



BLACK LEADS
 BLUE LEADS
 RED LEADS

THIS DRAWING IS A CONTROLLED DOCUMENT.

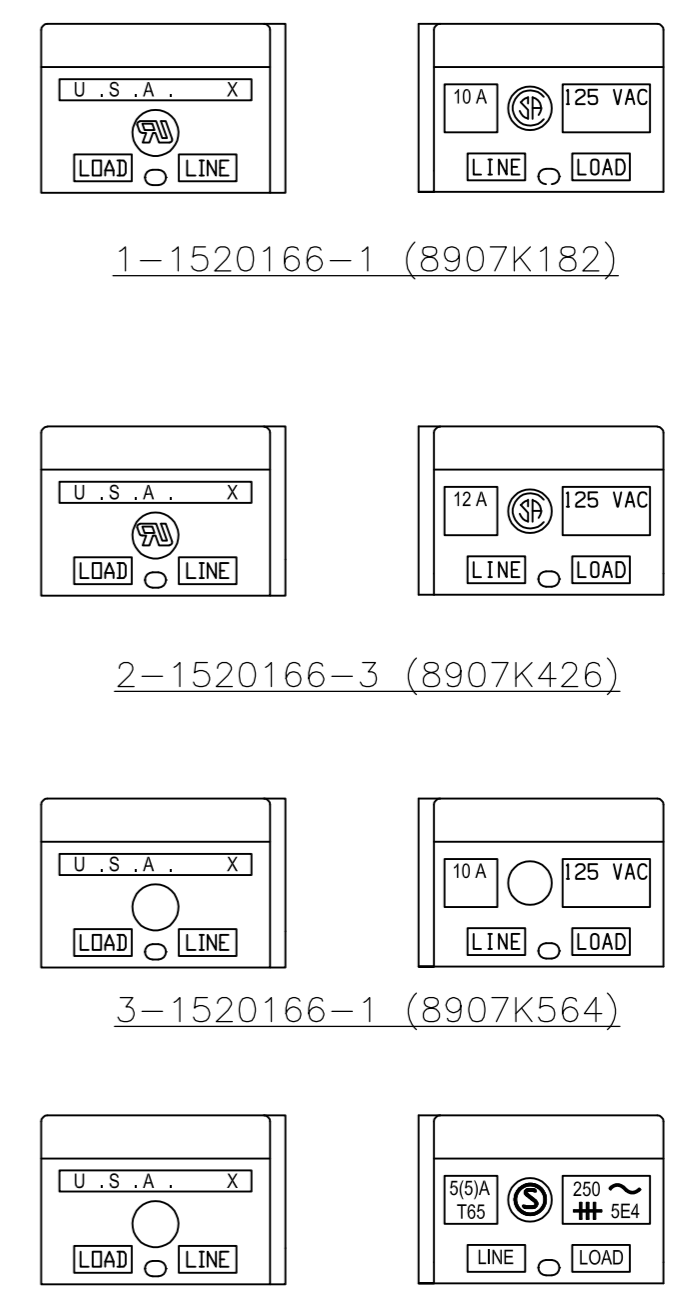
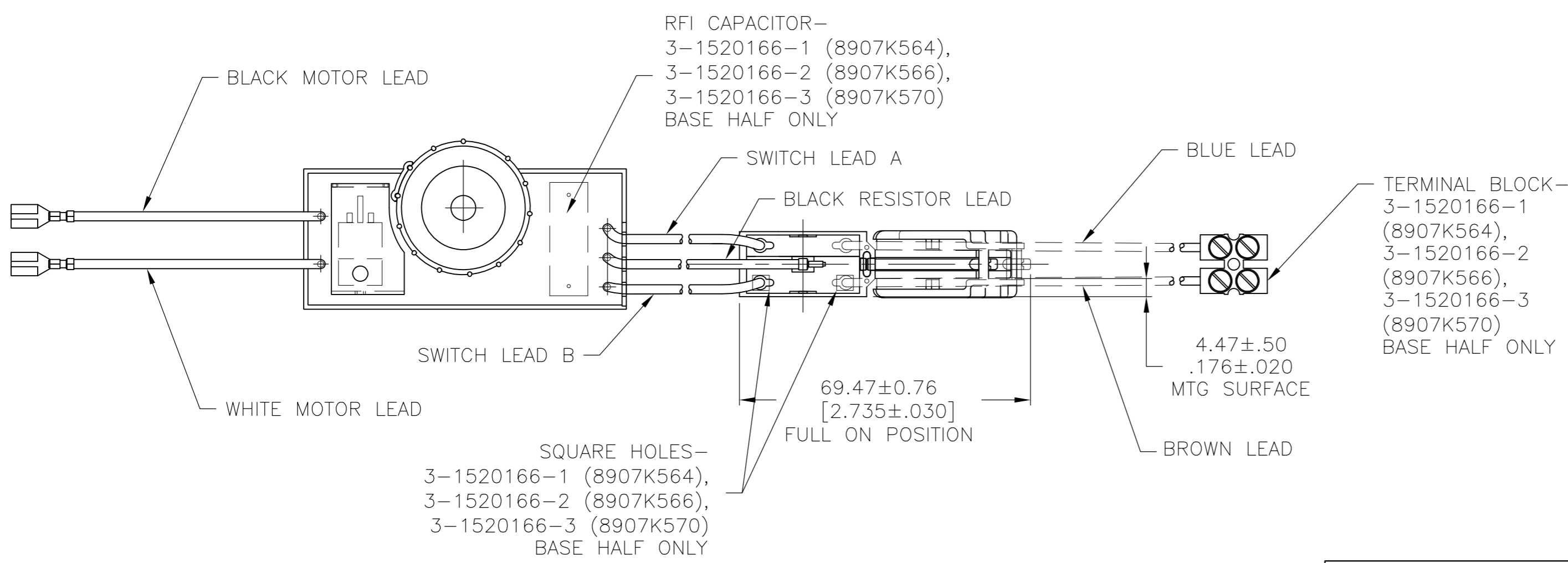
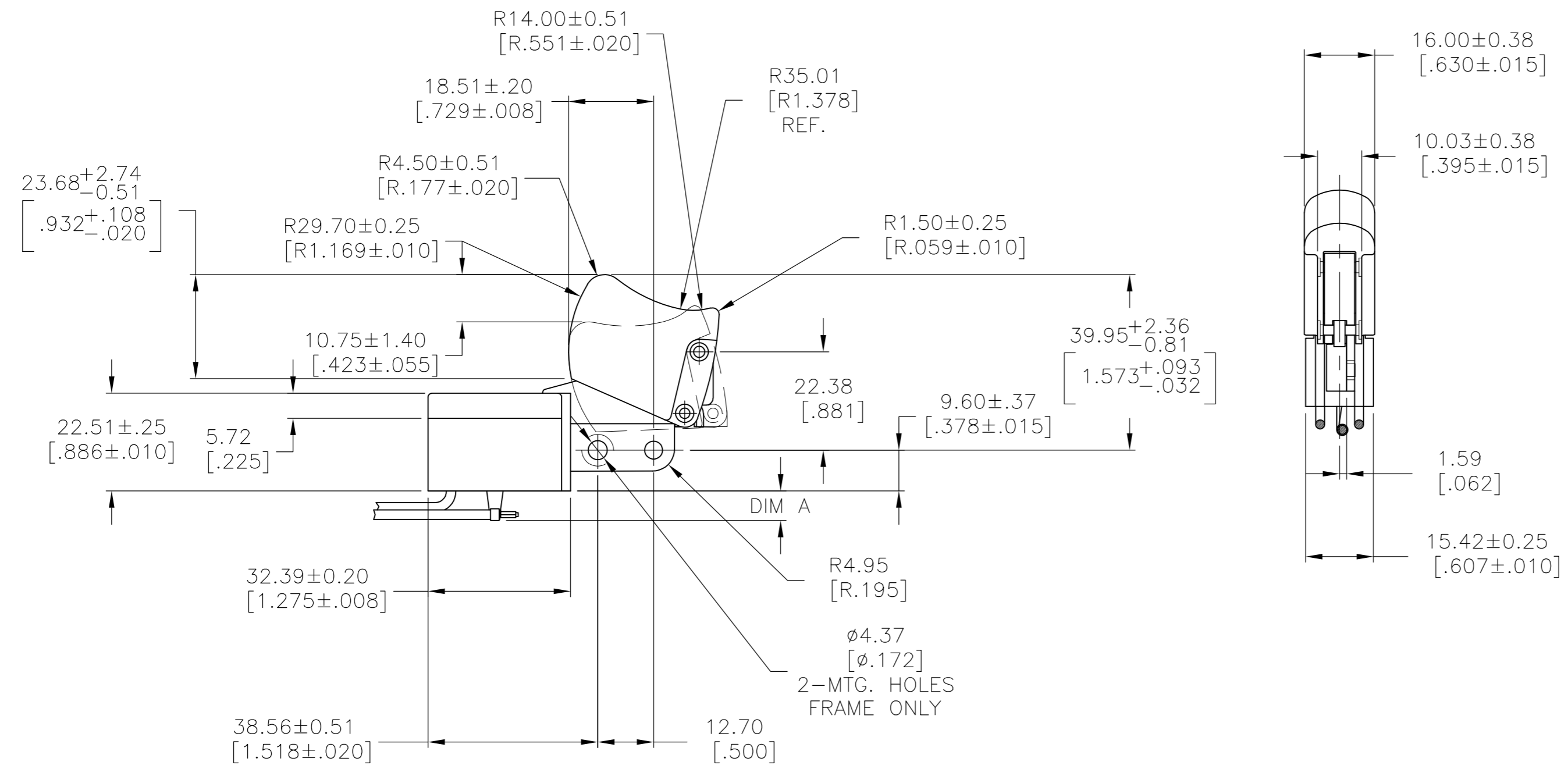
DIMENSIONS:	TOLERANCES UNLESS OTHERWISE SPECIFIED:	DWN	180CT00
mm [INCHES]	0 PLC ± -	W. LeonarD	
	1 PLC ± -	CHK	180CT00
	2 PLC ± -	J. HUGGINS	
	3 PLC ± .13 [.005]	APVD	190CT00
	4 PLC ± -	W. HANSON	
	ANGLES ± 1'	PRODUCT SPEC	
MATERIAL	FINISH	APPLICATION SPEC	
-	-	WEIGHT	-
		CUSTOMER DRAWING	

Tyco Electronics Corporation Harrisburg, Pa 17105-3608		NAME	
8907 SERIES-DUST RESISTANT OVERHANGING SWITCH DPST WITH 3 LEAD POTENTIOMETER CONNECTOR Z-SPRING CONSTRUCTION		SIZE	RESTRICTED TO
A2	00779	CAGE CODE	
C=1520166		DRAWING NO	
SCALE 1:1	SHEET 17 OF 32	REV	AE1

TE NO.	ARAB NO.	DESCRIPTION
2-1520166-6	8907K529	MADE OBSOLETE PER ECOG3G-0051-02 - SUPERCEDED BY 4-1520166-6
3-1520166-0	8907K545	MADE OBSOLETE PER ECOG3G-0051-02 - SUPERCEDED BY 4-1520166-7

THIS DRAWING IS UNPUBLISHED. RELEASED FOR PUBLICATION
 © COPYRIGHT BY TYCO ELECTRONICS CORPORATION. ALL RIGHTS RESERVED.

LOC	DIST	REVISIONS					
AD	00	P	LTR	DESCRIPTION	DATE	DWN	APVD
		-	-	SEE SHEET 1	-	-	-



SWITCH MARKINGS

1. PUSH-IN TERMINAL OPENINGS TO RECEIVE # 18 GA OR #20 GA STRANDED TIN DIPPED WIRE. WIRE STRIP LENGTH 6.35 - 10.16 [.250 - .400]. (PULL OUT FORCE MUST BE 5 LBS MIN.)
2. SEE 91-782 ON CUSTOMER DWG C-1520166 SHT19 FOR DIMENSIONS OF EXTERNAL SPEED CONTROL MODULE.
3. 50-2500 SHALL APPLY UNLESS OTHERWISE SPECIFIED.

91-783

TE SWITCH NO.	ARAB SWITCH NO.	DIM 'A'	DESCRIPTION	SW LEAD A	SW LEAD B	TRIGGER COLOR	SPEEDWHEEL COLOR
8-1520166-7		7.24±.50 [.285±.020]	MODULE W/ RFI CAP, TERMINAL BLOCK - 5A 250VAC 50 Hz	BLUE	BROWN	GREY	GREY
3-1520166-3	8907K570	7.24±.50 [.285±.020]	MODULE W/ RFI CAP, TERMINAL BLOCK - 5A 250VAC 50 Hz	BLUE	BROWN	BLUE	BLUE
3-1520166-2	8907K566	7.24±.50 [.285±.020]	MODULE W/ RFI CAP, TERMINAL BLOCK - 5A 250VAC 50 Hz	BLUE	BROWN	BLACK	BLACK
3-1520166-1	8907K564	7.24±.50 [.285±.020]	MODULE W/ RFI CAP, TERMINAL BLOCK - 10A 125VAC 50 Hz	BLUE	BROWN	BLACK	BLACK
2-1520166-3	8907K426	7.24±.50 [.285±.020]	MODULE W/O RFI CAP, W/O TERMINAL BLOCK - 12A 125VAC 60Hz	BLACK	WHITE	BLACK	BLACK
1-1520166-1	8907K182	4.93±.50 [.194±.020]	MODULE W/O RFI CAP, W/O TERMINAL BLOCK - 10A 125VAC 60Hz	BLACK	WHITE	BLACK	BLACK

THIS DRAWING IS A CONTROLLED DOCUMENT.

DIMENSIONS: mm [INCHES]

TOLERANCES UNLESS OTHERWISE SPECIFIED:

0 PLC	±	-
1 PLC	±	-
2 PLC	±	-
3 PLC	±	.13 [.005]
4 PLC	±	-
ANGLES	±	1°

MATERIAL: - FINISH: -

W. HANSON 29AUG97
 W. Leonard 10SEP97
 M.R. DUMMER 10SEP97

Tyco Electronics Corporation
 Harrisburg, Pa 17105-3608

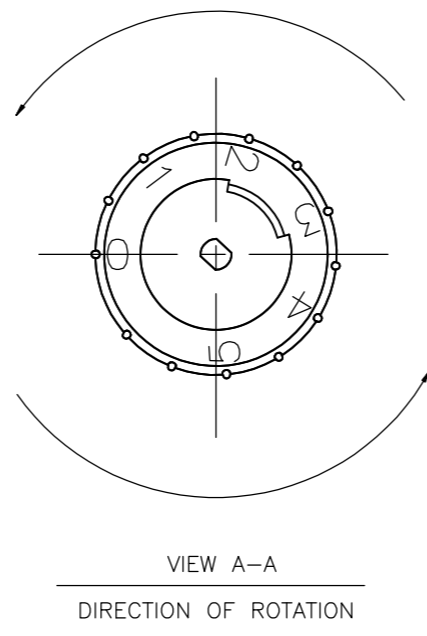
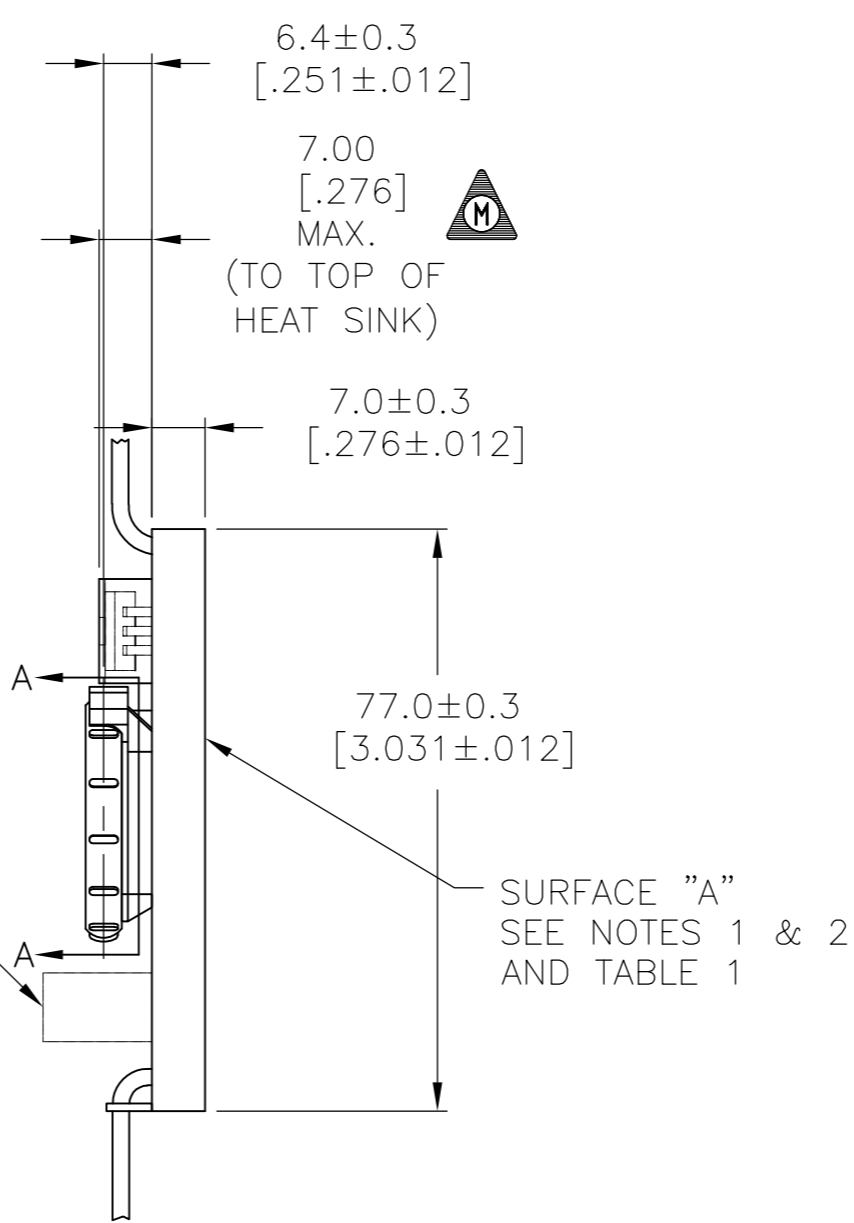
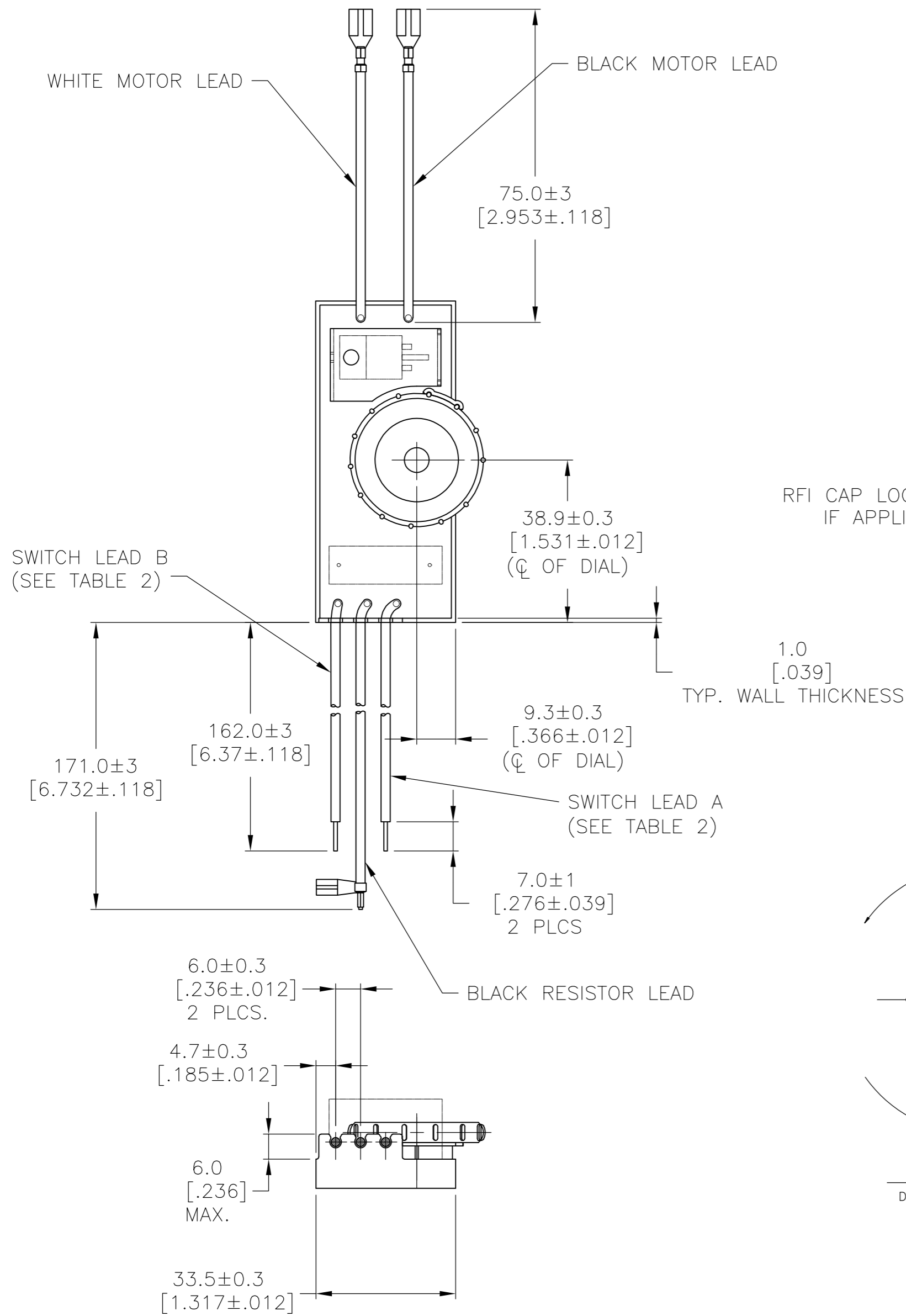
8907 SERIES-DUST RESISTANT OVERHANGING SWITCH WITH EXTERNAL MODULE Z-SPRING CONSTRUCTION

SIZE: A2 CAGE CODE: 00779 DRAWING NO: C=1520166 RESTRICTED TO: -

WEIGHT: - SCALE: 1:1 SHEET: 18 OF 32 REV: AE1

THIS DRAWING IS UNPUBLISHED. RELEASED FOR PUBLICATION
 © COPYRIGHT BY TYCO ELECTRONICS CORPORATION. ALL RIGHTS RESERVED.

LOC	DIST	REVISIONS					
AD	00	P	LTR	DESCRIPTION	DATE	DWN	APVD
		-	-	SEE SHEET 1	-	-	-



1. BLACK & DECKER PART NUMBER, DATE CODE, AND OTHER MARKINGS ON SURFACE "A" ONLY. LETTERING ON THIS SURFACE TO BE 5MM IN FROM EITHER SIDE AND 2.5[0.984] IN HEIGHT.
2. ANY RAISED LETTERING ON SURFACE "A" NOT TO EXCEED .5[.196] FROM THE SURFACE.

382652-03	1523648-5	90-19842-5
382652-02	1523648-4	90-19842-4
---	1523648-3	90-19842-3
382652-01	1523648-2	90-19842-2
382652-00	1523648-1	90-19842
B&D P/N	P/N NO.	ARAB NO.

TABLE 1

BLUE	BROWN	-2, -3, -4, -5
BLACK	WHITE	1523648-1
SW LEAD A	SW LEAD B	ASSY P/N

TABLE 2

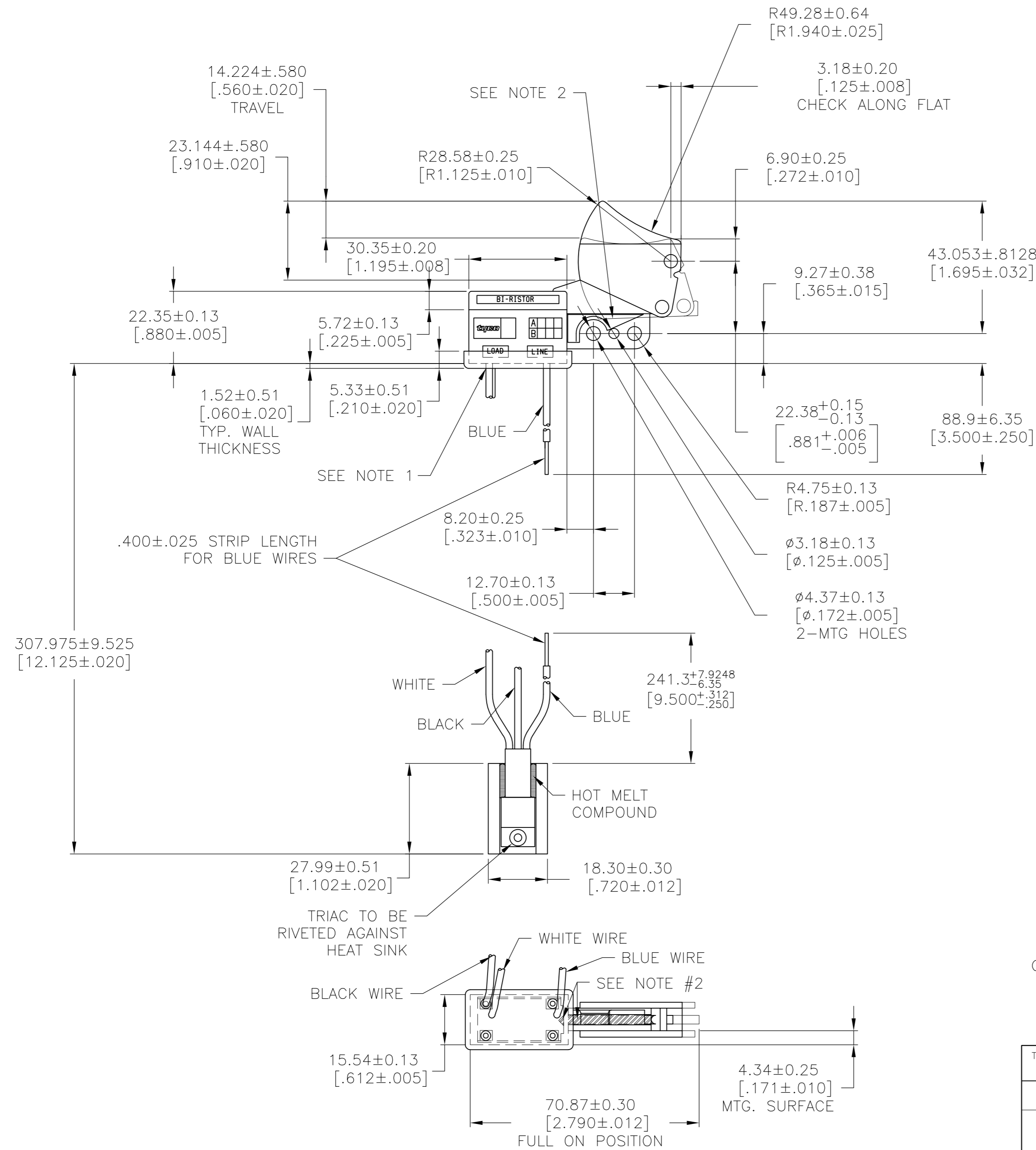
(M) DESIGN MAJOR REQUIREMENT PER 50-17487

91-782

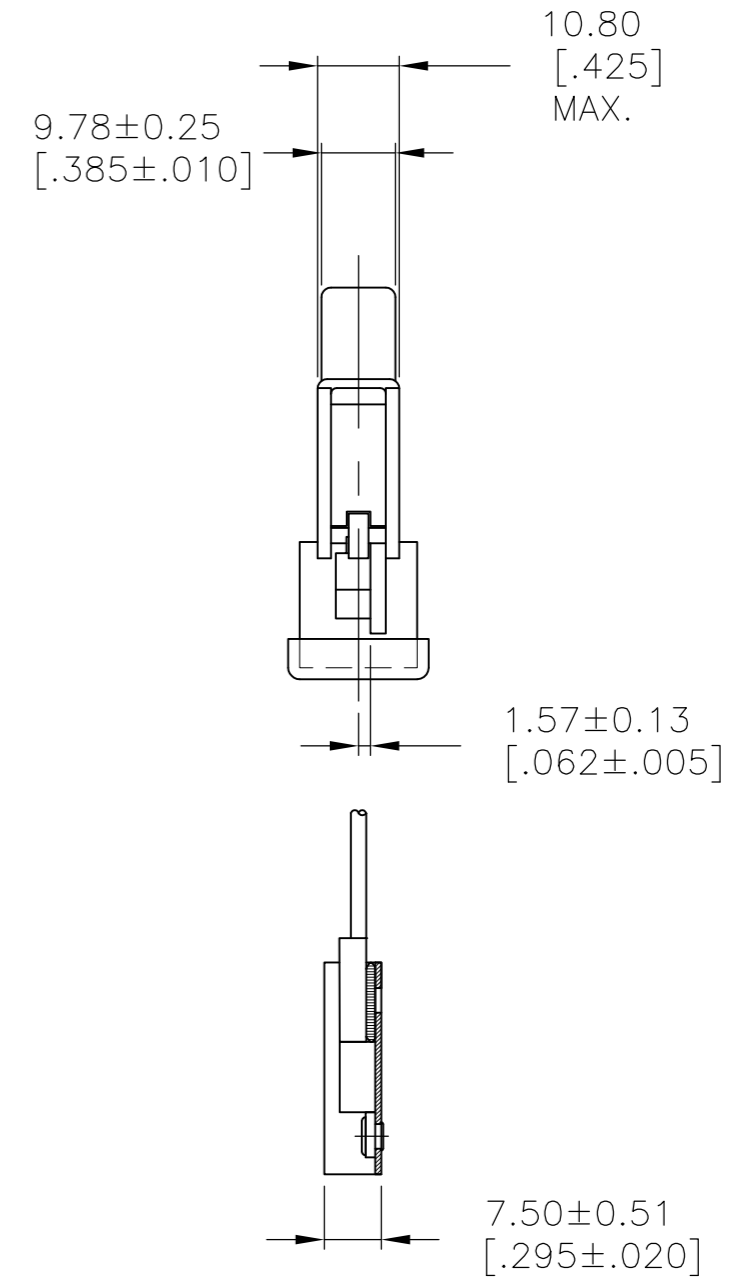
THIS DRAWING IS A CONTROLLED DOCUMENT.		DWN W. HANSON 29AUG97	Tyco Electronics Corporation Harrisburg, Pa 17105-3608	
DIMENSIONS: mm [INCHES]		CHK W. Leonard 08SEP97	NAME	
TOLERANCES UNLESS OTHERWISE SPECIFIED:		APVD M.R. DUMMER 09SEP97	PRODUCT SPEC	
0 PLC ± -		APPLICATION SPEC		
1 PLC ± -		WEIGHT		
2 PLC ± -		SCALE		
3 PLC ± -		SHEET		
4 PLC ± -		REV		
ANGLES ± -		CUSTOMER DRAWING		
FINISH		SCALE 1:1 SHEET 19 OF 32 REV AE1		

THIS DRAWING IS UNPUBLISHED. RELEASED FOR PUBLICATION
 © COPYRIGHT BY TYCO ELECTRONICS CORPORATION. ALL RIGHTS RESERVED.

LOC		DIST		REVISIONS			
P	LTR	DESCRIPTION	DATE	DWN	APVD		
AD	00	SEE SHEET 1					



1. PUSH IN TERMINAL OPENINGS TO RECEIVE #18 STRANDED TIN DIPPED WIRE. WIRE STRIP LENGTH 7.62-10.795 [.300 -.425].
2. APPLY LUBRICANT 1523950-1 (632-119) TO INSIDE OF FRAME AND ALONG OUTSIDE ON GUIDE LINK IN AREA SHOWN AND NOTED.

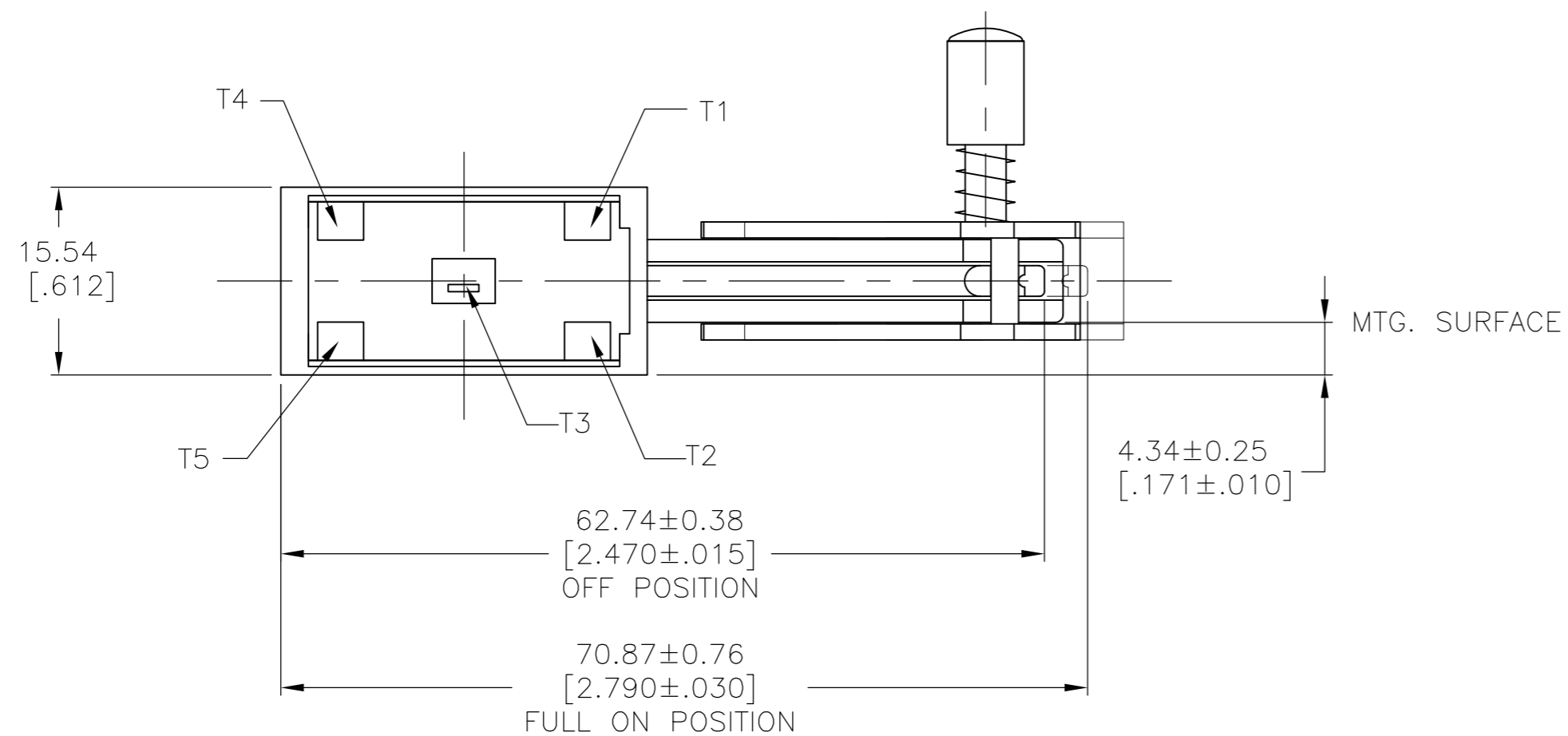
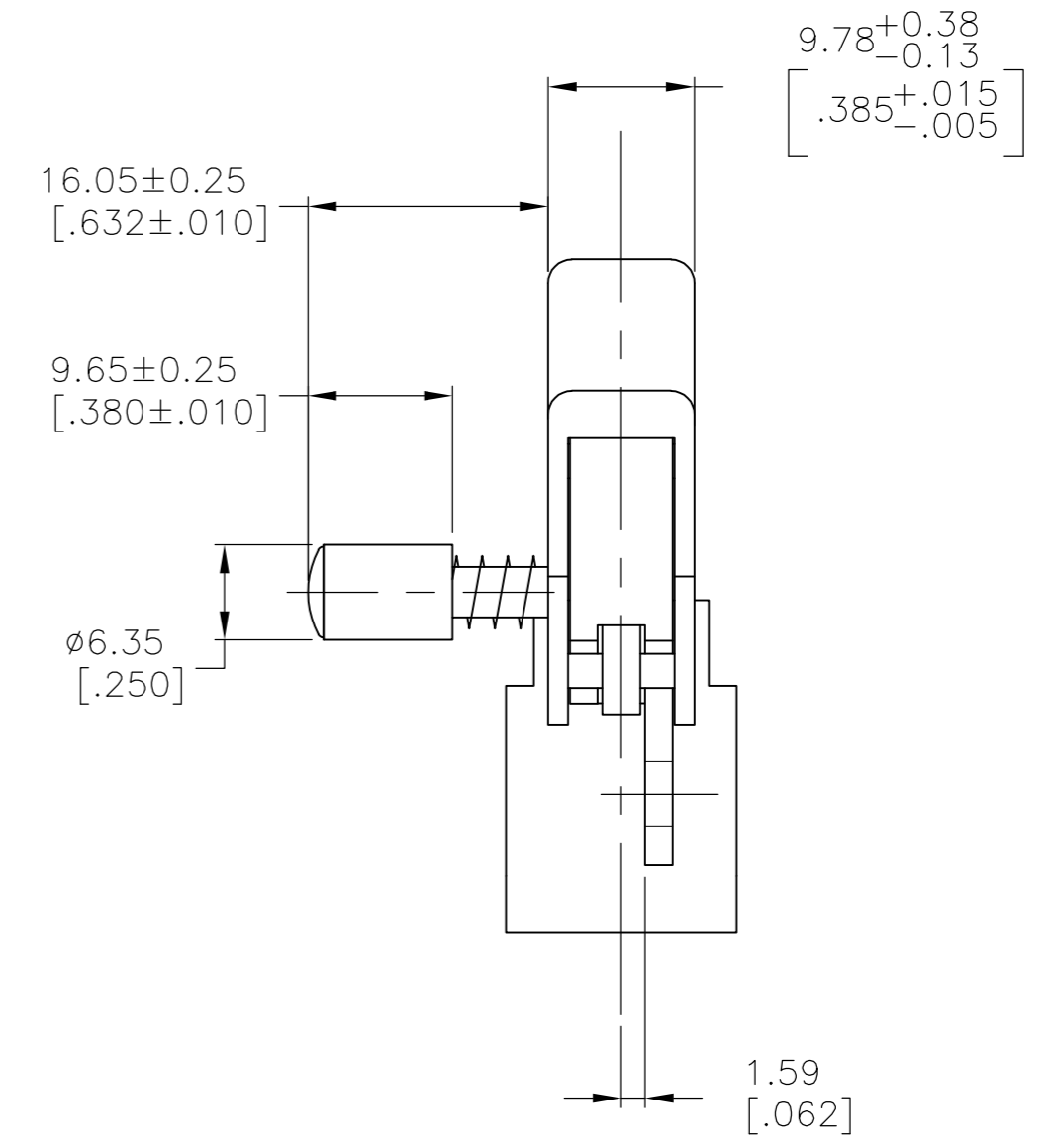
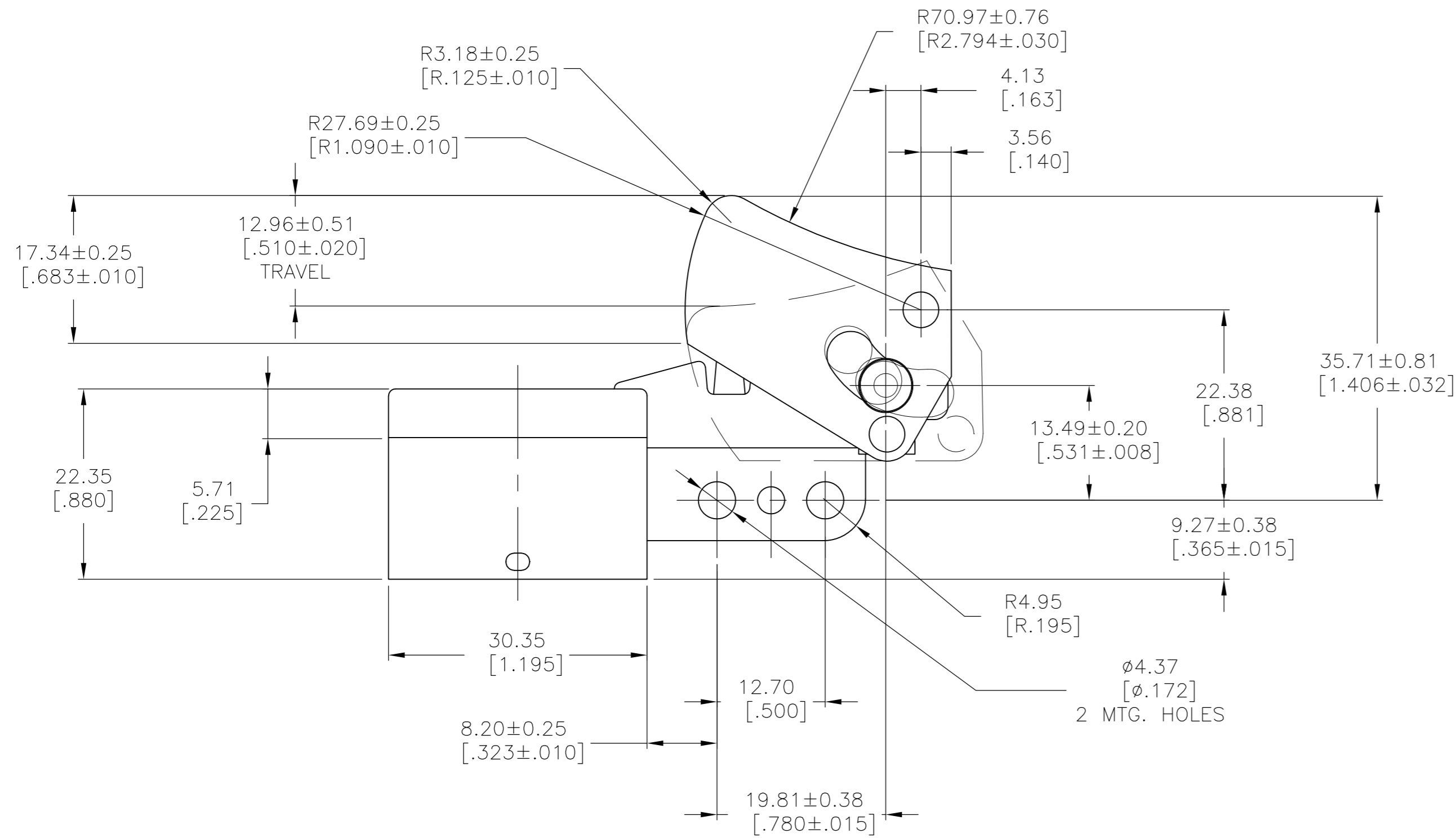


TE SWITCH NO.	ARAB SWITCH NO.	TRIGGER COLOR	RATING	91-541
8-1520166-8	8907K571	YELLOW	10A/125VAC	
3-1520166-8	8907K611	ORANGE	5A/250VAC	
3-1520166-6	8907K608	YELLOW	5A/250VAC	
3-1520166-4	8907K606	RED	5A/250VAC	

THIS DRAWING IS A CONTROLLED DOCUMENT.		DWN A. HUPRICH 07JUN95	Tyco Electronics Corporation Harrisburg, Pa 17105-3608	
DIMENSIONS: mm [INCHES]		CHK W. LeonarD 08JUN95	NAME 8907 SERIES - OVERHANGING SWITCH DPST WITH EXTERNAL S.C., MUSTACHE SPRING CONSTRUCTION	
TOLERANCES UNLESS OTHERWISE SPECIFIED: 0 PLC ± - 1 PLC ± - 2 PLC ± - 3 PLC ± .13[.005] 4 PLC ± - ANGLES ± 1°		APVD T. McNULTY 08JUN95	PRODUCT SPEC	RESTRICTED TO
MATERIAL		FINISH	WEIGHT	SCALE 1:1 SHEET 20 OF 32 REV AE1
			A2 00779 C=1520166	
		CUSTOMER DRAWING		

THIS DRAWING IS UNPUBLISHED. RELEASED FOR PUBLICATION
 © COPYRIGHT BY TYCO ELECTRONICS CORPORATION. ALL RIGHTS RESERVED.

LOC		DIST		REVISIONS			
P	LTR	DESCRIPTION	DATE	DWN	APVD		
AD	00	SEE SHEET 1					



1. PUSH-IN TERMINAL OPENINGS TO RECEIVE #18 OR #20 GA. STRANDED TINNED LEADS. WIRE STRIPPED LENGTH TO BE 6.35-10.16 [.250 - .400].

TE NO.	ARAB NO.	RATING	DESCRIPTION	LOCK BUTTON COLOR	TRIGGER COLOR
3-1520166-5	8907K607	4.5A 250 VAC	DPST, DISCRETE COMPONENT CONSTRUCTION	N/A	GRAY
3-1520166-7	8907K609	3A 250 VAC	SPST WITH BUSSING, DISCRETE COMPONENT CONSTRUCTION	RED	RED
7-1520166-6	8907K588	4.5A 250 VAC	DPST, DISCRETE COMPONENT CONSTRUCTION	N/A	GRAY

OBSOLETE

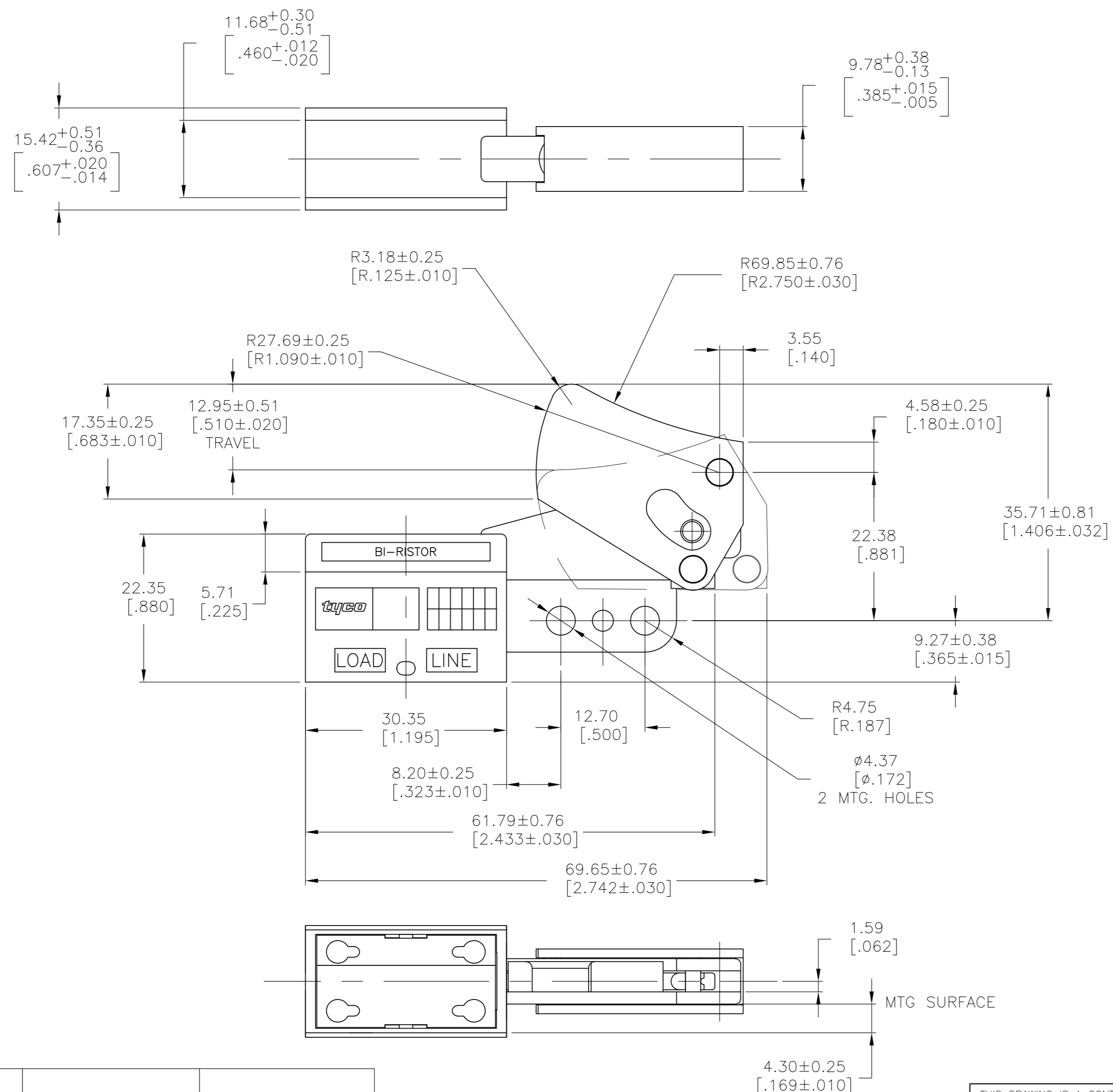
THIS DRAWING IS A CONTROLLED DOCUMENT.		DWN T. CHRISTENSEN 07MAR02	Tyco Electronics Corporation Harrisburg, Pa 17105-3608	
DIMENSIONS: mm [INCHES]		CHK W. HANSON 07MAR02	NAME 8907 SERIES - OVERHANGING SWITCH WITH QUICK CONNECT INTERNAL HEAT SINK DISCRETE COMPONENT CONSTRUCTION	
TOLERANCES UNLESS OTHERWISE SPECIFIED: 0 PLC ± - 1 PLC ± - 2 PLC ± - 3 PLC ± .13[.005] 4 PLC ± - ANGLES ± 1°		APVD B. BURGESS 07MAR02	SIZE A2	
MATERIAL -		FINISH -	CAGE CODE 00779	DRAWING NO 1520166
		WEIGHT -	SCALE 2:1	SHEET 21 OF 32
		CUSTOMER DRAWING		REV AE1

1520166

91-716

THIS DRAWING IS UNPUBLISHED. RELEASED FOR PUBLICATION
 © COPYRIGHT BY TYCO ELECTRONICS CORPORATION. ALL RIGHTS RESERVED.

LOC		DIST		REVISIONS			
P	LTR	DESCRIPTION	DATE	DWN	APVD		
AD	00	SEE SHEET 1					



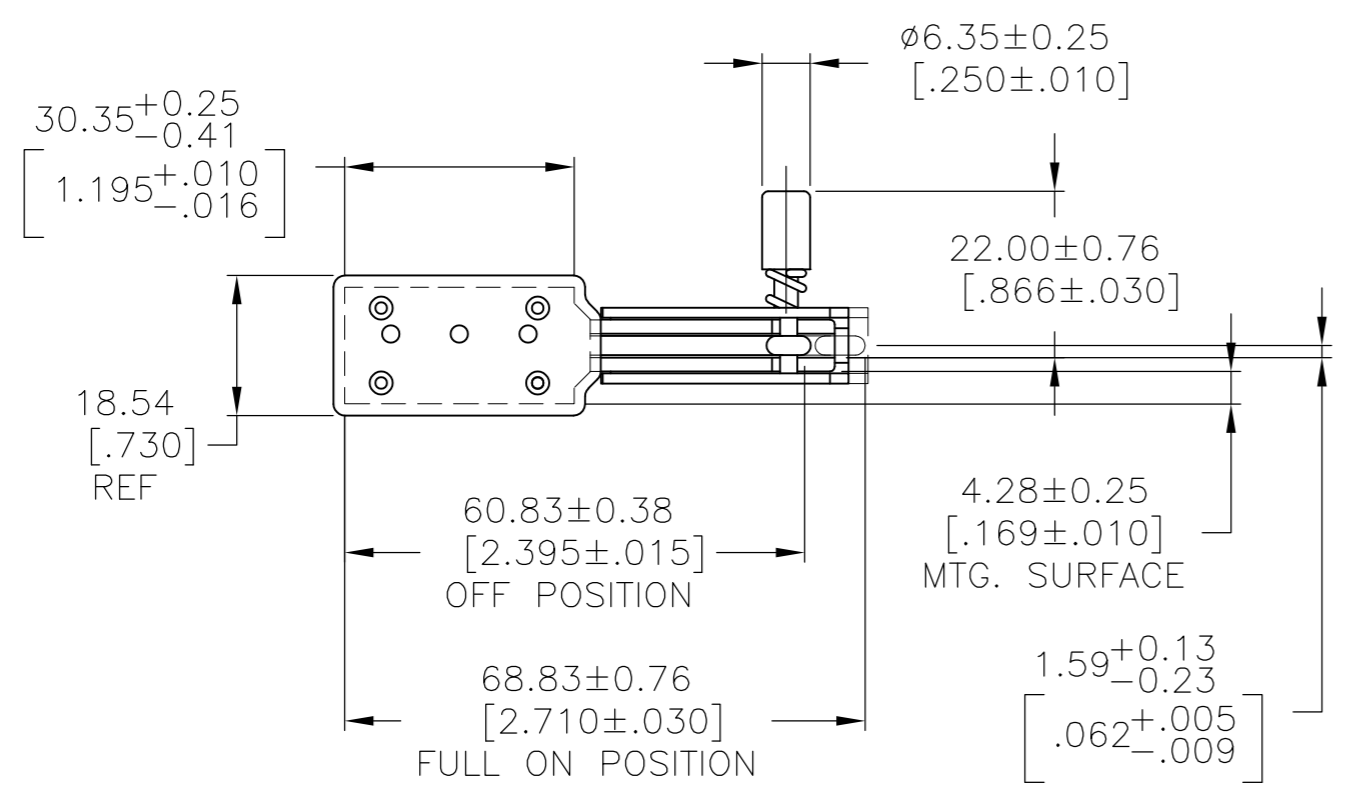
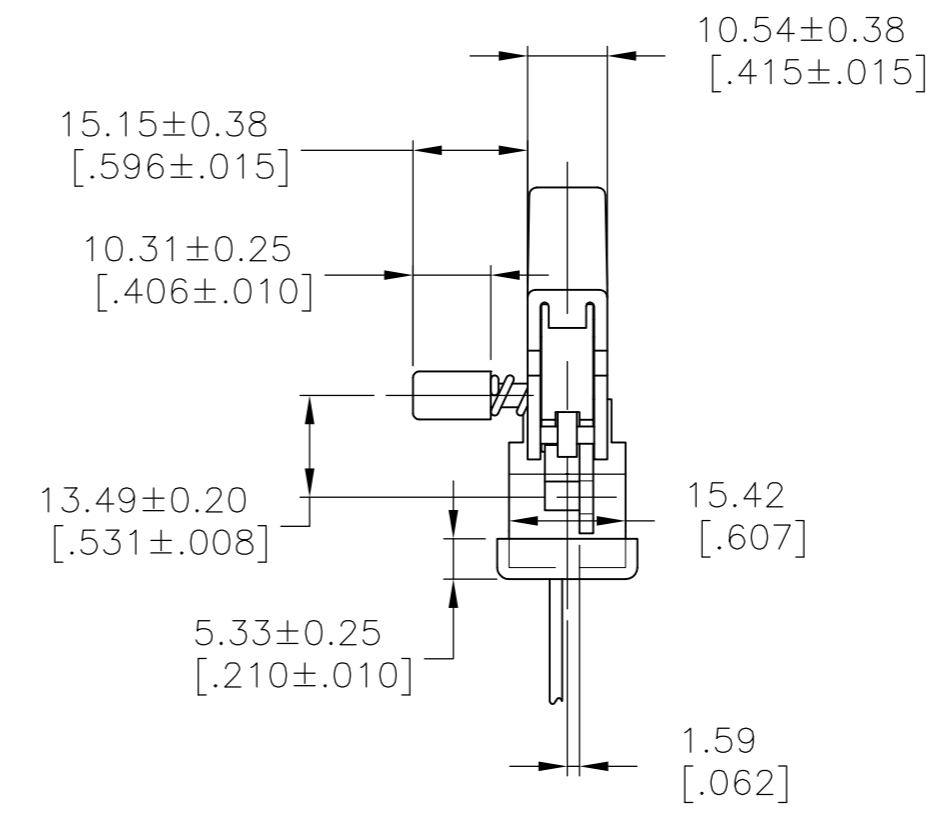
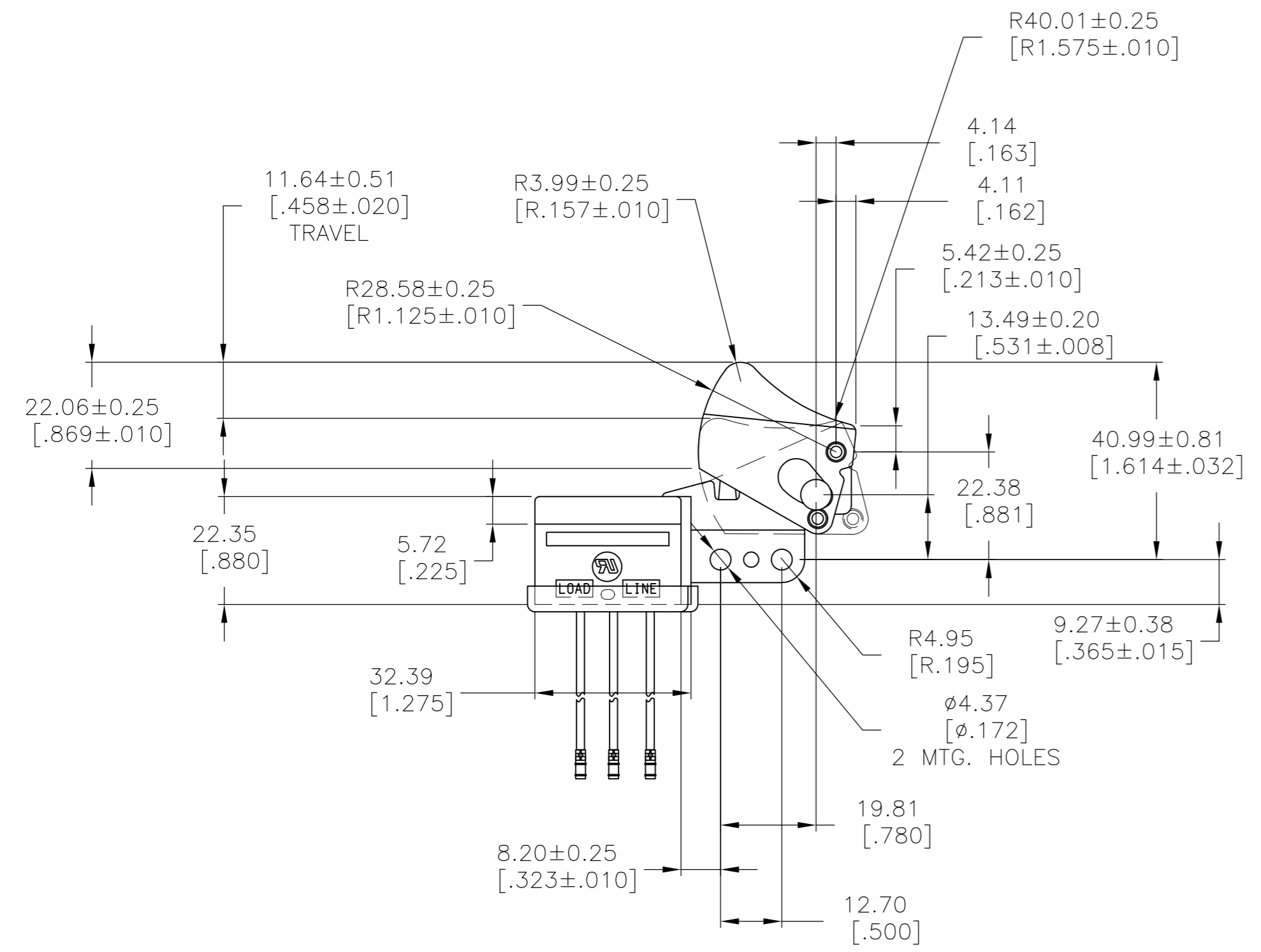
1. PUSH-IN TERMINAL OPENINGS TO RECEIVE #18 OR #20 GA. STRANDED TINNED LEADS. WIRE STRIPPED LENGTH TO BE 6.35-10.16[.250 - .400].

2-1520166-4	8907K492	BLACK
TE SWITCH NO.	ARAB SWITCH NO.	TRIGGER COLOR

THIS DRAWING IS A CONTROLLED DOCUMENT.		DWN W. LeonarD	07MAR02	Tyco Electronics Corporation Harrisburg, Pa 17105-3608	
DIMENSIONS: mm [INCHES]		CHK ---	APVD ---	NAME 8907 SERIES - OVERHANGING SWITCH 6A 125 VAC / 3A 250 VAC DPST ON-OFF Z-SPRING CONSTRUCTION	
TOLERANCES UNLESS OTHERWISE SPECIFIED: 0 PLC ± - 1 PLC ± - 2 PLC ± - 3 PLC ± .13[.005] 4 PLC ± - ANGLES ± 1°		PRODUCT SPEC ---	APPLICATION SPEC ---	SIZE A2	CAGE CODE 00779
MATERIAL ---		FINISH ---	WEIGHT ---	DRAWING NO. 1520166	RESTRICTED TO ---
CUSTOMER DRAWING			SCALE 2:1	SHEET 22 OF 32	REV AE1

THIS DRAWING IS UNPUBLISHED. RELEASED FOR PUBLICATION
 © COPYRIGHT BY TYCO ELECTRONICS CORPORATION. ALL RIGHTS RESERVED.

LOC		DIST		REVISIONS			
P	LTR	DATE	DWN	APVD			
AD	00				SEE SHEET 1		



1. PUSH-IN TERMINAL OPENINGS TO RECEIVE # 18 GA OR #20 GA STRANDED TINNED LEADS. WIRE STRIP LENGTH 6.35 - 10.16[.250 - .400] . (PULL OUT FORCE MUST BE 5 LBS MIN.)
2. PRETRAVEL TO BE 3.81[.150] MAX.
3. INITIAL OPERATING FORCE (MEASURED AT 1.27[.050] DEFLECTION) IS 1.60 LBS±0.5 LBS.
4. HOLD ON FORCE (MEASURED AT 10.16[.400] TRIGGER DEFLECTION) IS 5.10 LBS±1.0 LBS.
5. TOTAL TRAVEL TO BE 10.41[.410] MIN.
6. FORCE TO ENGAGE LOCK PIN MUST BE 3.8 LBS MIN.

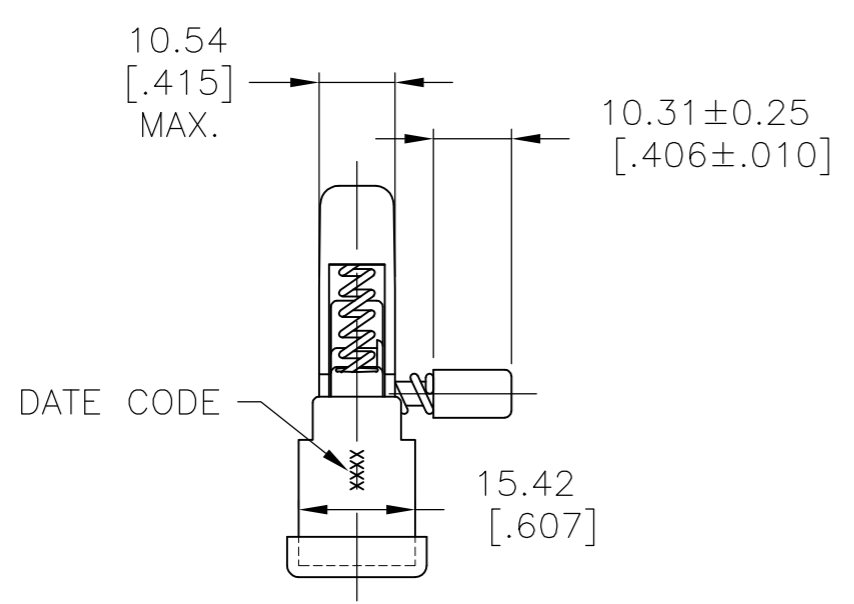
4-1520166-3	8907K429	BLACK	BLACK
TE SWITCH NO.	ARAB SWITCH NO.	LOCK BUTTON COLOR	TRIGGER COLOR

THIS DRAWING IS A CONTROLLED DOCUMENT.		DWN W. Leonard	12JUN01	Tyco Electronics Corporation Harrisburg, Pa 17105-3608	
DIMENSIONS: mm [INCHES]		CHK -	APVD -	NAME 8907 SERIES-DUST RESISTANT OVERHANGING SWITCH 8A 125 VAC DPST WITH 3 POTENTIOMETER LEADS, Z-SPRING CONSTRUCTION	
TOLERANCES UNLESS OTHERWISE SPECIFIED: 0 PLC ± - 1 PLC ± - 2 PLC ± - 3 PLC ± .13[.005] 4 PLC ± - ANGLES ± -		PRODUCT SPEC -	APPLICATION SPEC -	SIZE A2	CAGE CODE 00779
MATERIAL -	FINISH -	WEIGHT -	SCALE 1:1	DRAWING NO. C=1520166	RESTRICTED TO -
CUSTOMER DRAWING			SHEET 23 OF 32	REV AE1	

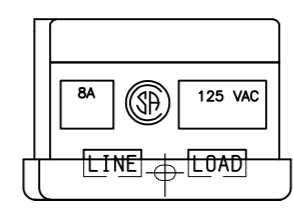
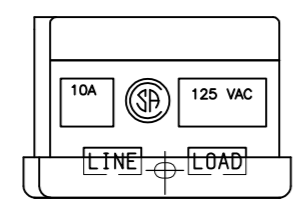
1520166

THIS DRAWING IS UNPUBLISHED. RELEASED FOR PUBLICATION
 © COPYRIGHT BY TYCO ELECTRONICS CORPORATION. ALL RIGHTS RESERVED.

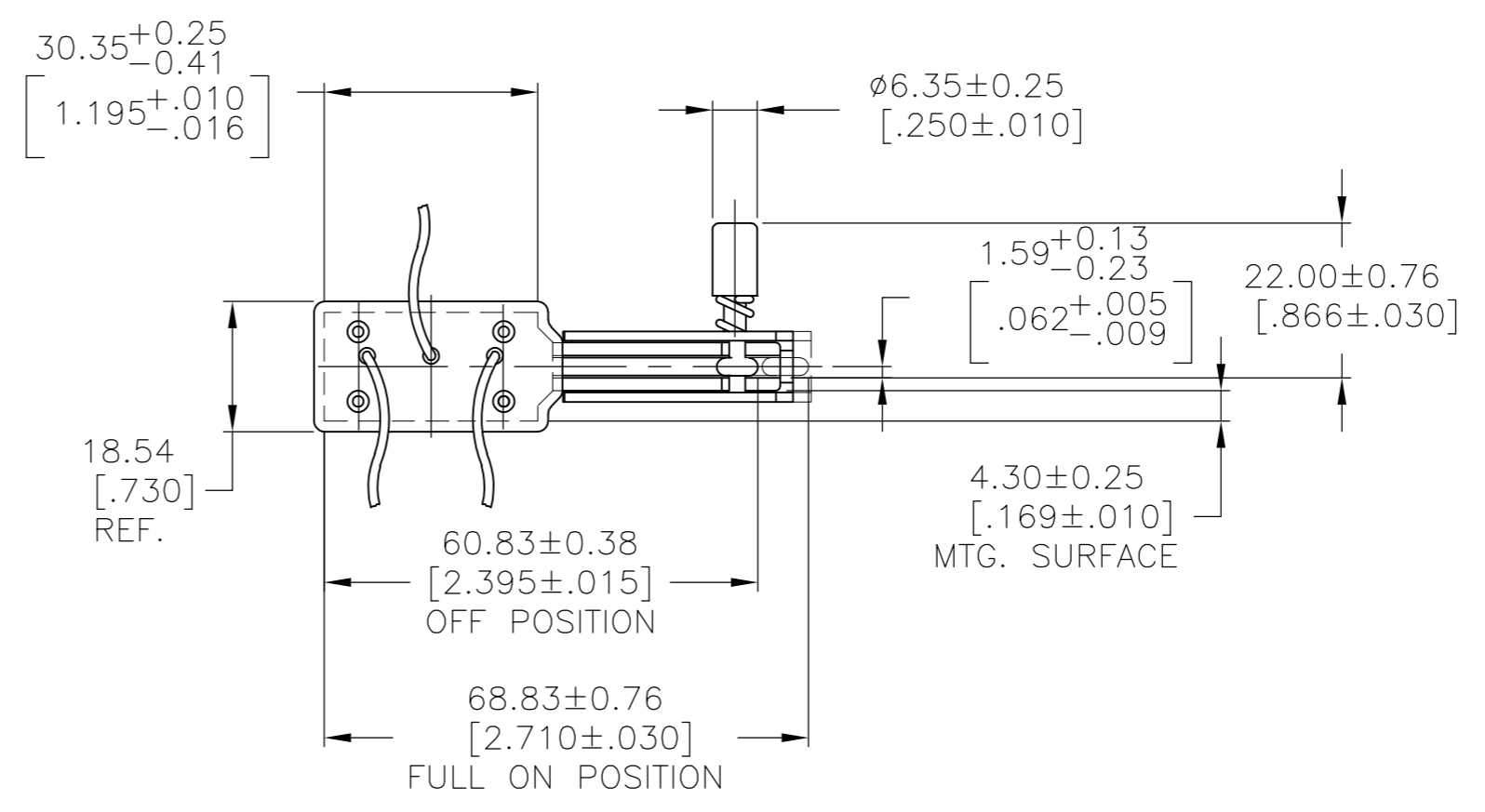
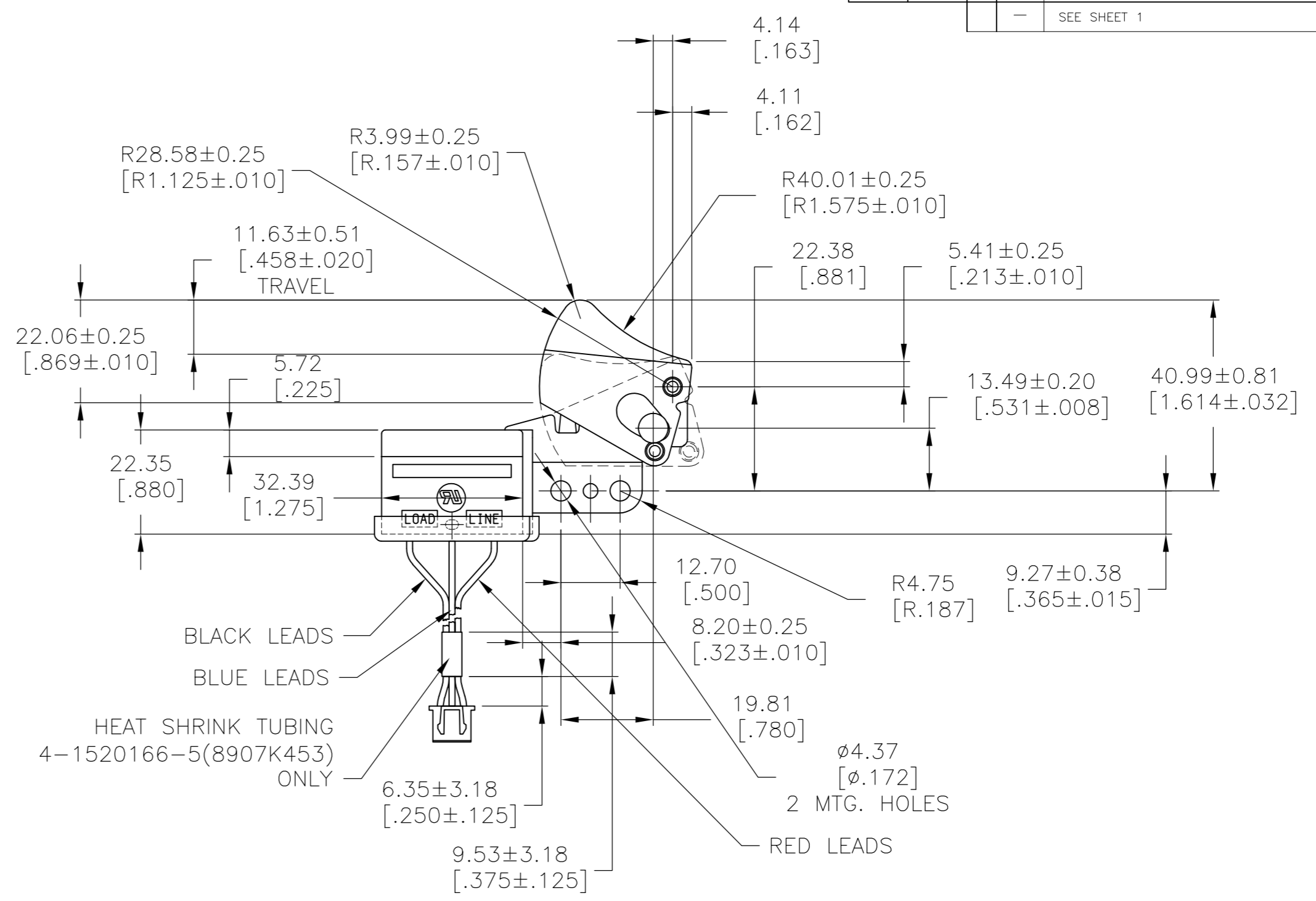
LOC	DIST	REVISIONS					
AD	00	P	LTR	DESCRIPTION	DATE	DWN	APVD
		-	-	SEE SHEET 1	-	-	-



TYCO SWITCH NO. 4-1520166-4
(ARAB PLANT NO. 8907K452)



TYCO SWITCH NO. 4-1520166-5
(ARAB PLANT NO. 8907K453)



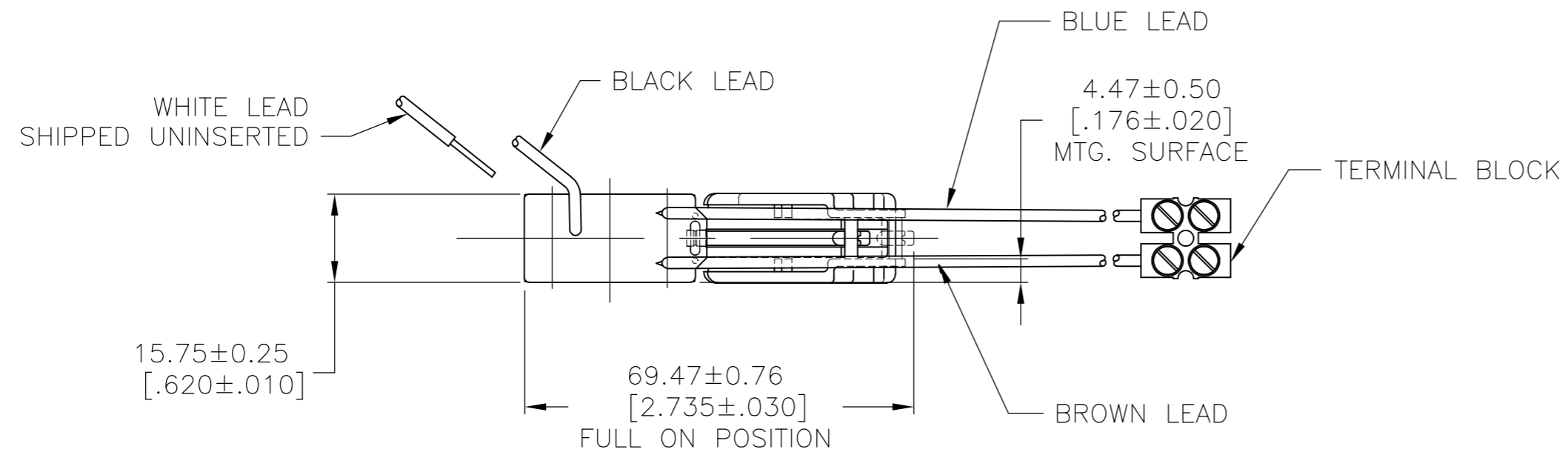
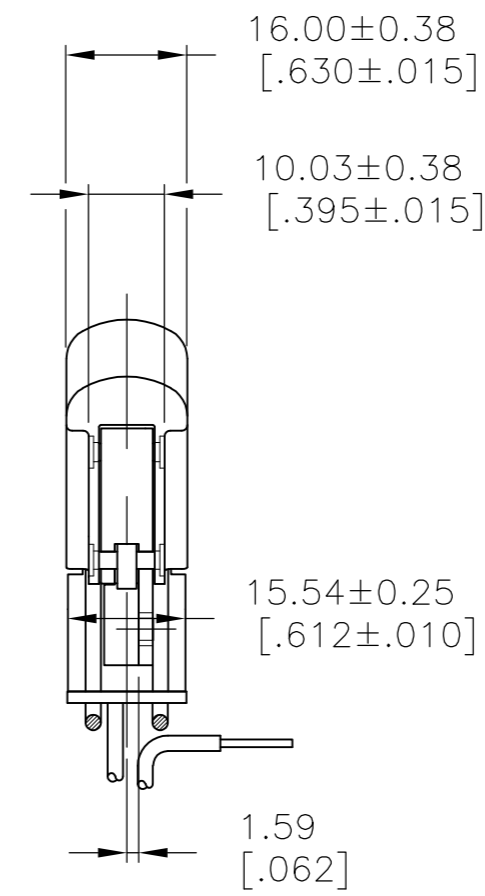
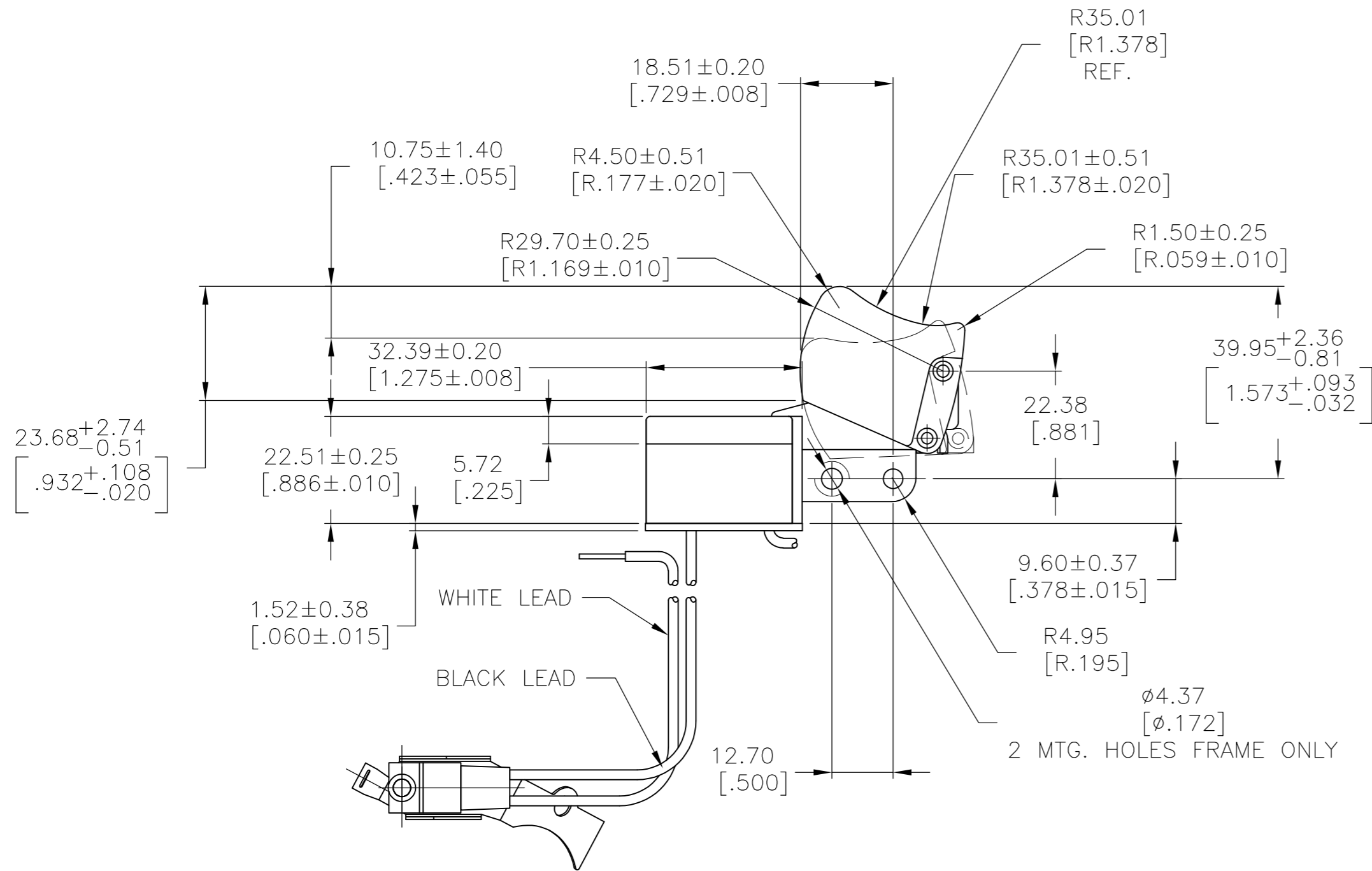
1. PUSH-IN TERMINAL OPENINGS TO RECEIVE #18 GA OR #20 GA STRANDED TINNED LEADS. WIRE STRIP LENGTH 6.35-10.16[.250 - .400].

TE NO.	ARAB NO.	RATING	LOCK BUTTON COLOR	TRIGGER COLOR
4-1520166-4	8907K452	10A 125 VAC	BLACK	BLACK
4-1520166-5	8907K453	8A 125 VAC	BLACK	BLACK

THIS DRAWING IS A CONTROLLED DOCUMENT.		DWN W. LeonarD	12JUN01	Tyco Electronics Corporation Harrisburg, Pa 17105-3608	
DIMENSIONS: mm [INCHES]		CHK -	APVD -	NAME 8907 SERIES-DUST RESISTANT OVERHANGING SWITCH DPST WITH 3 LEAD POTENTIOMETER CONNECTOR Z-SPRING CONSTRUCTION	
TOLERANCES UNLESS OTHERWISE SPECIFIED: 0 PLC ± - 1 PLC ± - 2 PLC ± - 3 PLC ± .13[.005] 4 PLC ± - ANGLES ± -		PRODUCT SPEC -	APPLICATION SPEC -	SIZE A2	CAGE CODE 00779
MATERIAL -	FINISH -	WEIGHT -	SCALE 1:1	DRAWING NO. C=1520166	RESTRICTED TO -
CUSTOMER DRAWING			SHEET 24 OF 32	REV AE1	

THIS DRAWING IS UNPUBLISHED. RELEASED FOR PUBLICATION
 © COPYRIGHT BY TYCO ELECTRONICS CORPORATION. ALL RIGHTS RESERVED.

LOC	DIST	REVISIONS					
AD	00	P	LTR	DESCRIPTION	DATE	DWN	APVD
				SEE SHEET 1			



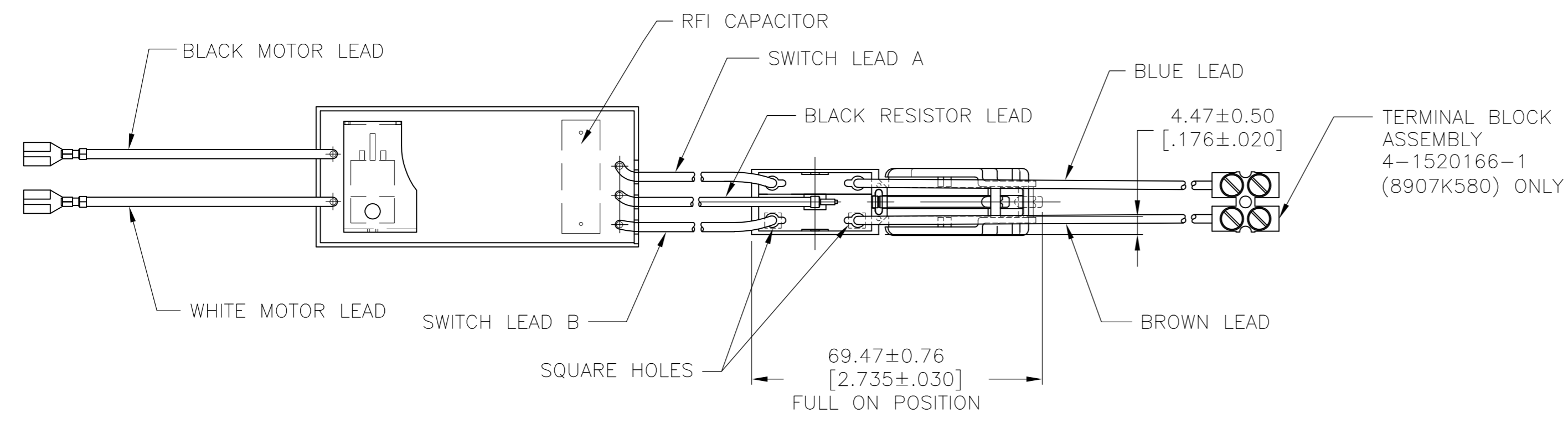
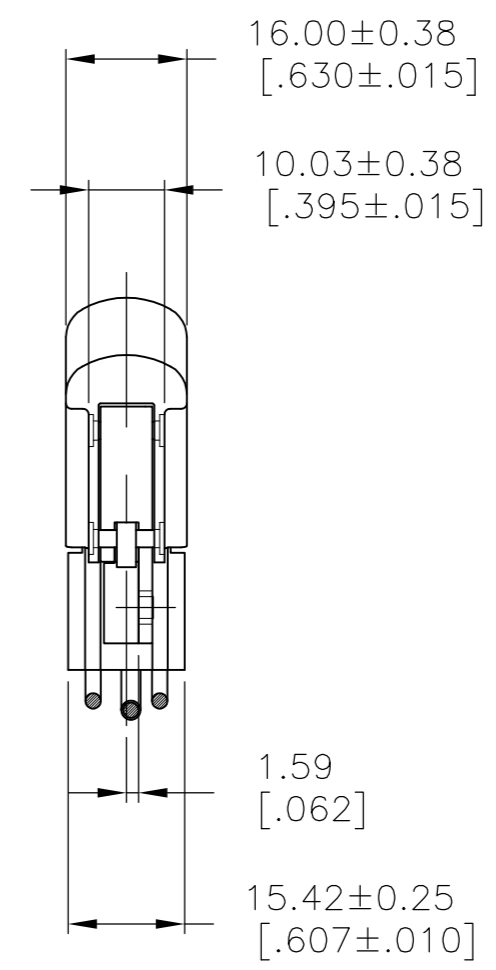
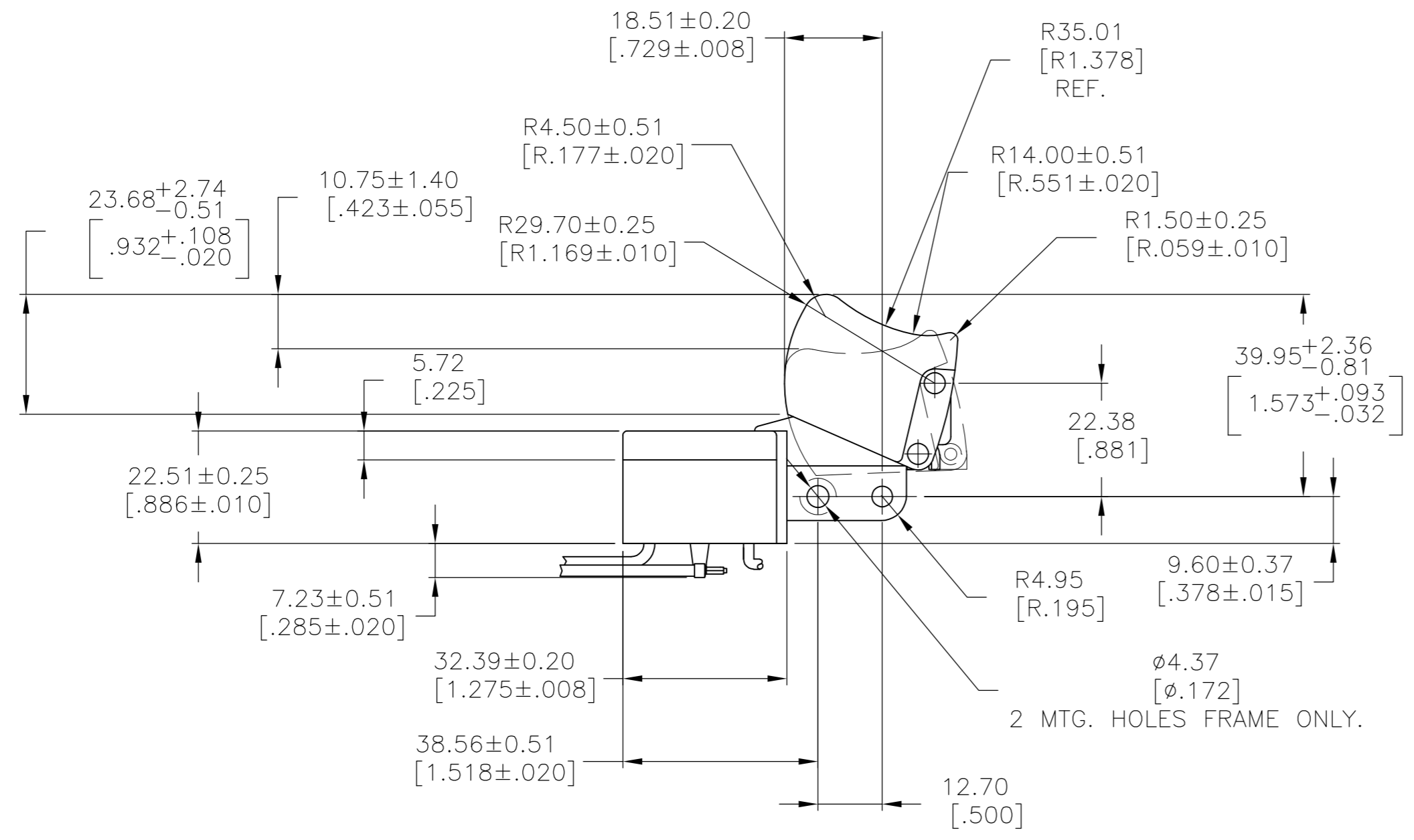
1. PUSH-IN TERMINAL OPENINGS TO RECEIVE # 18 GA OR #20 GA STRANDED TIN DIPPED WIRE. WIRE STRIP LENGTH 6.35 - 10.16 [.250 - .400]. (PULL OUT FORCE MUST BE 5 LBS MIN.)

4-1520166-0	8907K579	BLACK
TE SWITCH NO.	ARAB SWITCH NO.	TRIGGER COLOR

THIS DRAWING IS A CONTROLLED DOCUMENT.		DWN W. Leonard	08MAR02	Tyco Electronics Corporation Harrisburg, Pa 17105-3608	
DIMENSIONS: mm [INCHES]		CHK -	APVD -	NAME 8907 SERIES-DUST RESISTANT OVERHANGING SWITCH 5A 250 V DPST WITH EXTERNAL ELECTRONICS Z-SPRING CONSTRUCTION	
TOLERANCES UNLESS OTHERWISE SPECIFIED: 0 PLC ± - 1 PLC ± - 2 PLC ± - 3 PLC ± .13 [.005] 4 PLC ± - ANGLES ± 1°		PRODUCT SPEC -	APPLICATION SPEC -	SIZE A2	CAGE CODE 00779
MATERIAL -	FINISH -	WEIGHT -	SCALE 1:1	DRAWING NO. C=1520166	RESTRICTED TO -
CUSTOMER DRAWING			SHEET 26 OF 32	REV AE1	

THIS DRAWING IS UNPUBLISHED. RELEASED FOR PUBLICATION
 © COPYRIGHT BY TYCO ELECTRONICS CORPORATION. ALL RIGHTS RESERVED.

LOC		DIST		REVISIONS				
P	LTR	DESCRIPTION	DATE	DWN	APVD			
AD	00	SEE SHEET 1	-	-	-			



1. PUSH-IN TERMINAL OPENINGS TO RECEIVE # 18 GA OR #20 GA STRANDED TIN DIPPED WIRE. WIRE STRIP LENGTH 6.35 - 10.16 [.250 - .400] . (PULL OUT FORCE MUST BE 5 LBS MIN.)
2. SEE 91-782 ON CUSTOMER DWG C-1520166 SHT19 FOR DIMENSIONS OF EXTERNAL SPEED CONTROL MODULE.

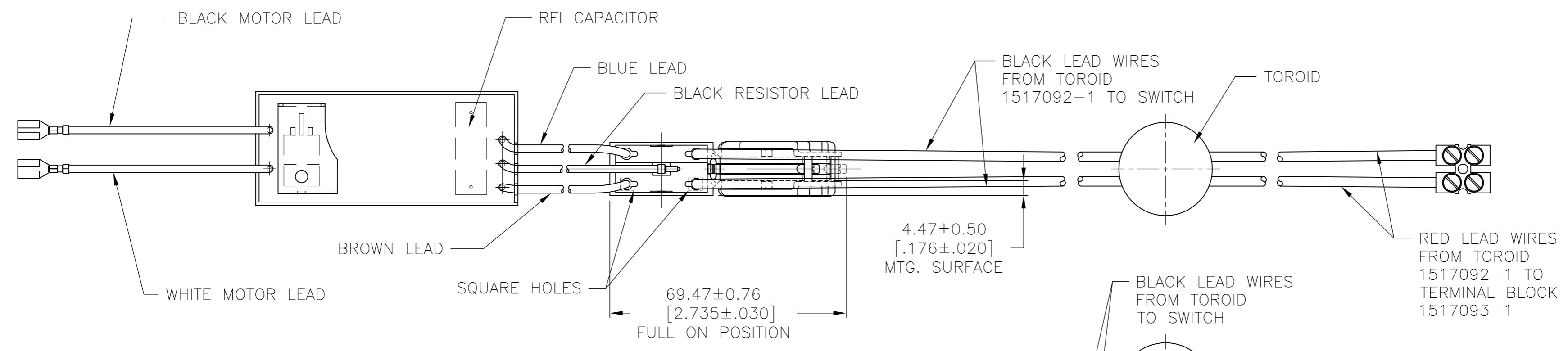
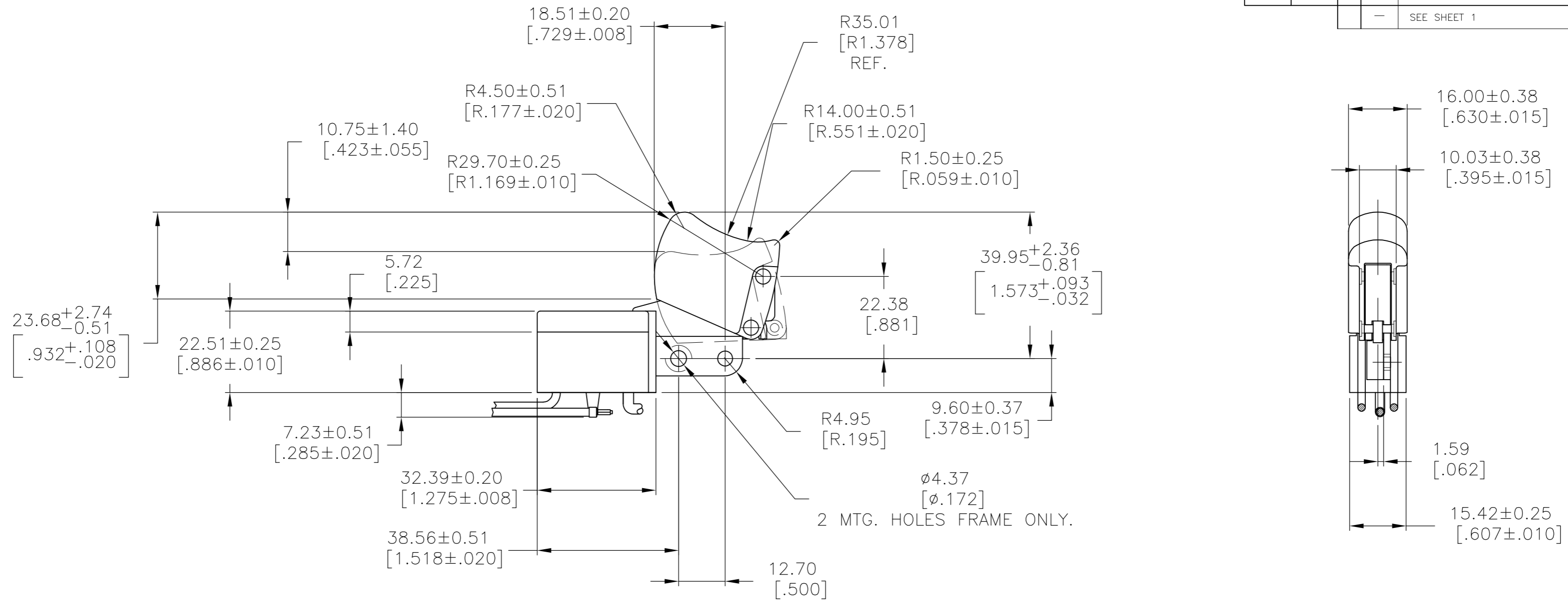
6-1520166-3	8907K556	BLACK	BLUE	BROWN
4-1520166-1	8907K580	BLACK	BLUE	BROWN
TE SWITCH NO.	ARAB SWITCH NO.	TRIGGER COLOR	LEAD A	LEAD B

THIS DRAWING IS A CONTROLLED DOCUMENT.		DWN W. LeonarD	12JUL01	Tyco Electronics Corporation Harrisburg, Pa 17105-3608	
DIMENSIONS: mm [INCHES]		CHK -	APVD -	NAME 8907 SERIES-DUST RESISTANT OVERHANGING SWITCH 5A 250 VAC W / EXTERNAL MODULE & TERMINAL BLOCK, Z-SPRING CONSTRUCTION	
TOLERANCES UNLESS OTHERWISE SPECIFIED: 0 PLC ± - 1 PLC ± - 2 PLC ± - 3 PLC ± .13 [.005] 4 PLC ± - ANGLES ± 1°		PRODUCT SPEC -	APPLICATION SPEC -	SIZE A2	CAGE CODE 00779
MATERIAL -		FINISH -	WEIGHT -	DRAWING NO C=1520166	RESTRICTED TO -
CUSTOMER DRAWING			SCALE 1:1	SHEET 27 of 32	REV AE1

1520166

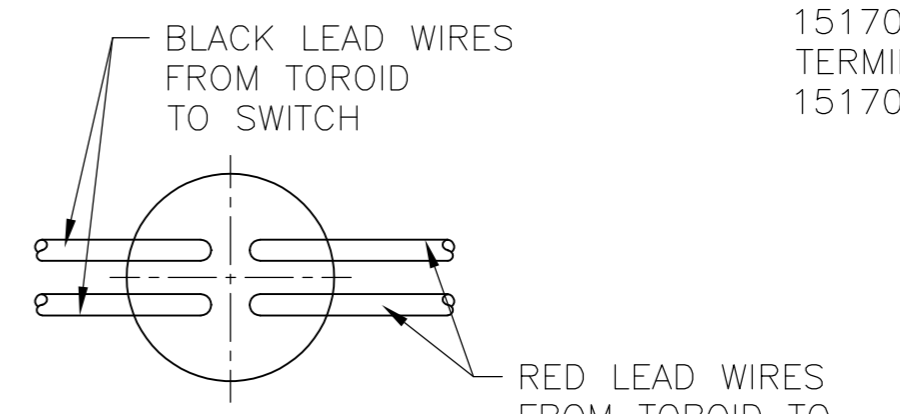
THIS DRAWING IS UNPUBLISHED. RELEASED FOR PUBLICATION
 © COPYRIGHT BY TYCO ELECTRONICS CORPORATION. ALL RIGHTS RESERVED.

LOC	DIST	REVISIONS					
AD	00	P	LTR	DESCRIPTION	DATE	DWN	APVD
		-	-	SEE SHEET 1	-	-	-



1. PUSH-IN TERMINAL OPENINGS TO RECEIVE # 18 GA OR #20 GA STRANDED TIN DIPPED WIRE. WIRE STRIP LENGTH 6.35 - 10.16 [.250 - .400] . (PULL OUT FORCE MUST BE 5 LBS MIN.)
2. SEE 91-782 ON CUSTOMER DWG C-1520166 SHT19 FOR DIMENSIONS OF EXTERNAL SPEED CONTROL MODULE.

ALTERNATE CONSTRUCTION



8-1520166-3	N/A	GREY
6-1520166-5	8907K585	BLACK
TE SWITCH NO.	ARAB SWITCH NO.	TRIGGER COLOR

THIS DRAWING IS A CONTROLLED DOCUMENT.		DWN W. LeonarD	12JUL01	Tyco Electronics Corporation Harrisburg, Pa 17105-3608	
DIMENSIONS: mm [INCHES]		CHK -	APVD -	NAME 8907 SERIES-DUST RESISTANT OVERHANGING SWITCH 5A 250 VAC W / EXTERNAL MODULE & TERMINAL BLOCK, Z-SPRING CONSTRUCTION	
TOLERANCES UNLESS OTHERWISE SPECIFIED: 0 PLC ± - 1 PLC ± - 2 PLC ± - 3 PLC ± .13 [.005] 4 PLC ± - ANGLES ± 1°		PRODUCT SPEC -	APPLICATION SPEC -	SIZE A2	CAGE CODE 00779
MATERIAL -	FINISH -	WEIGHT -	SCALE 1:1	DRAWING NO. C=1520166	RESTRICTED TO -
CUSTOMER DRAWING			SHEET 28 of 32	REV AE1	

THIS DRAWING IS UNPUBLISHED. RELEASED FOR PUBLICATION
 © COPYRIGHT BY TYCO ELECTRONICS CORPORATION. ALL RIGHTS RESERVED.

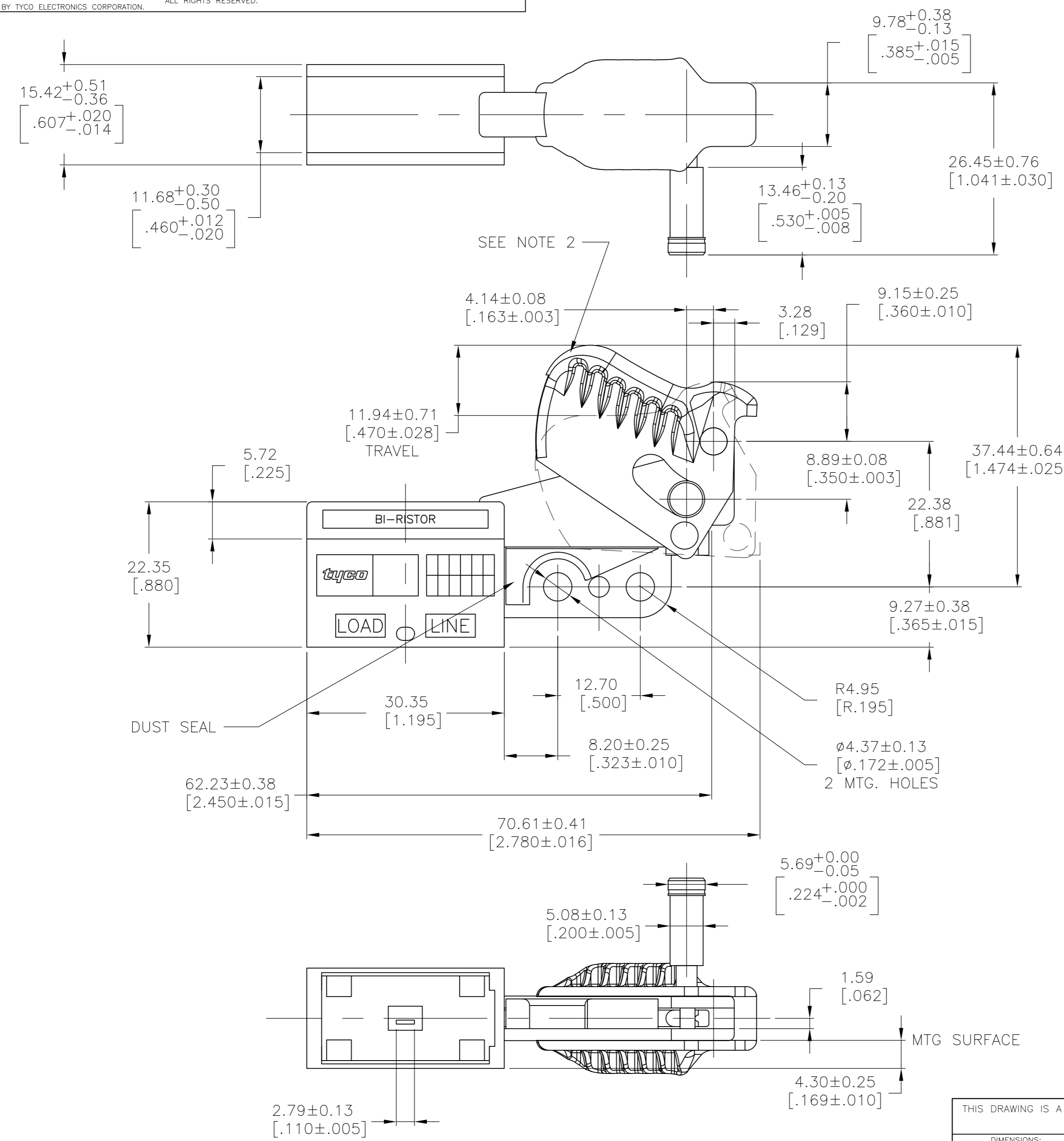
LOC	DIST	REVISIONS			
P	LTR	DESCRIPTION	DATE	DWN	APVD
AD	00	SEE SHEET 1	-	-	-

D

C

B

A



1. PUSH-IN TERMINAL OPENINGS TO RECEIVE #18 GA. OR #20 GA. STRANDED TIN DIPPED WIRE. WIRE STRIP LENGTH 6.35-10.16[.250 - .400].
2. NO SWITCH CONDUCTIVITY ALLOWED WHEN 8 LB MAX FORCE IS APPLIED TO TRIGGER IN DIRECTION SHOWN BY ARROW WHILE LOCK PIN IS DISENGAGED.

7-1520166-7	8907K589	BLACK	BLACK
5-1520166-4	8907K584	BLACK	BLACK
TE SWITCH NO.	ARAB SWITCH NO.	LOCK BUTTON COLOR	TRIGGER COLOR

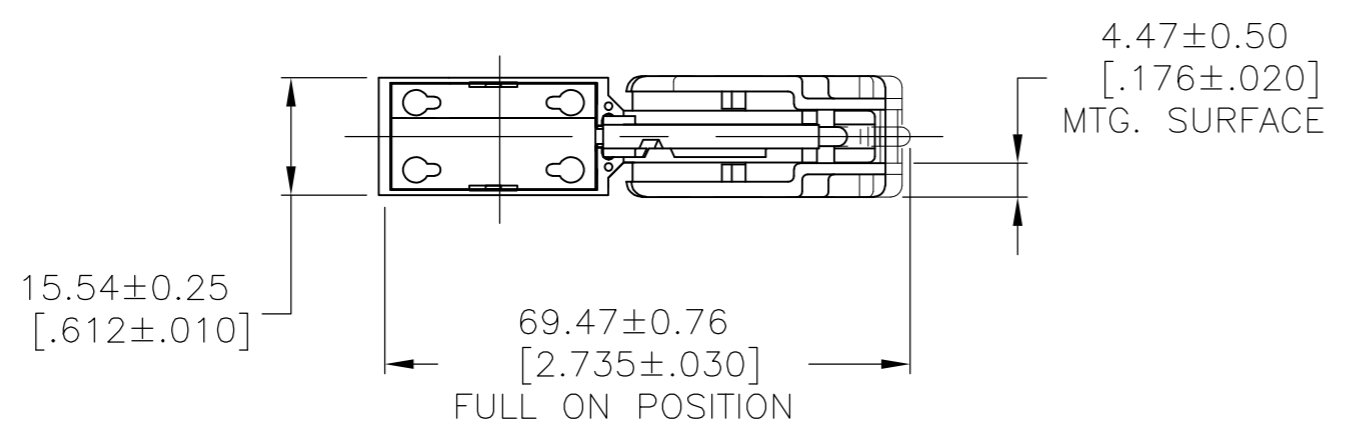
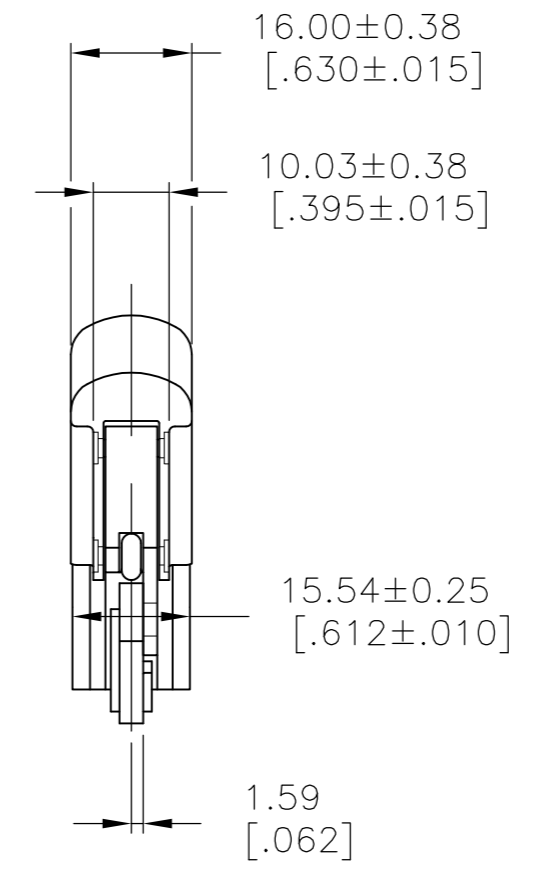
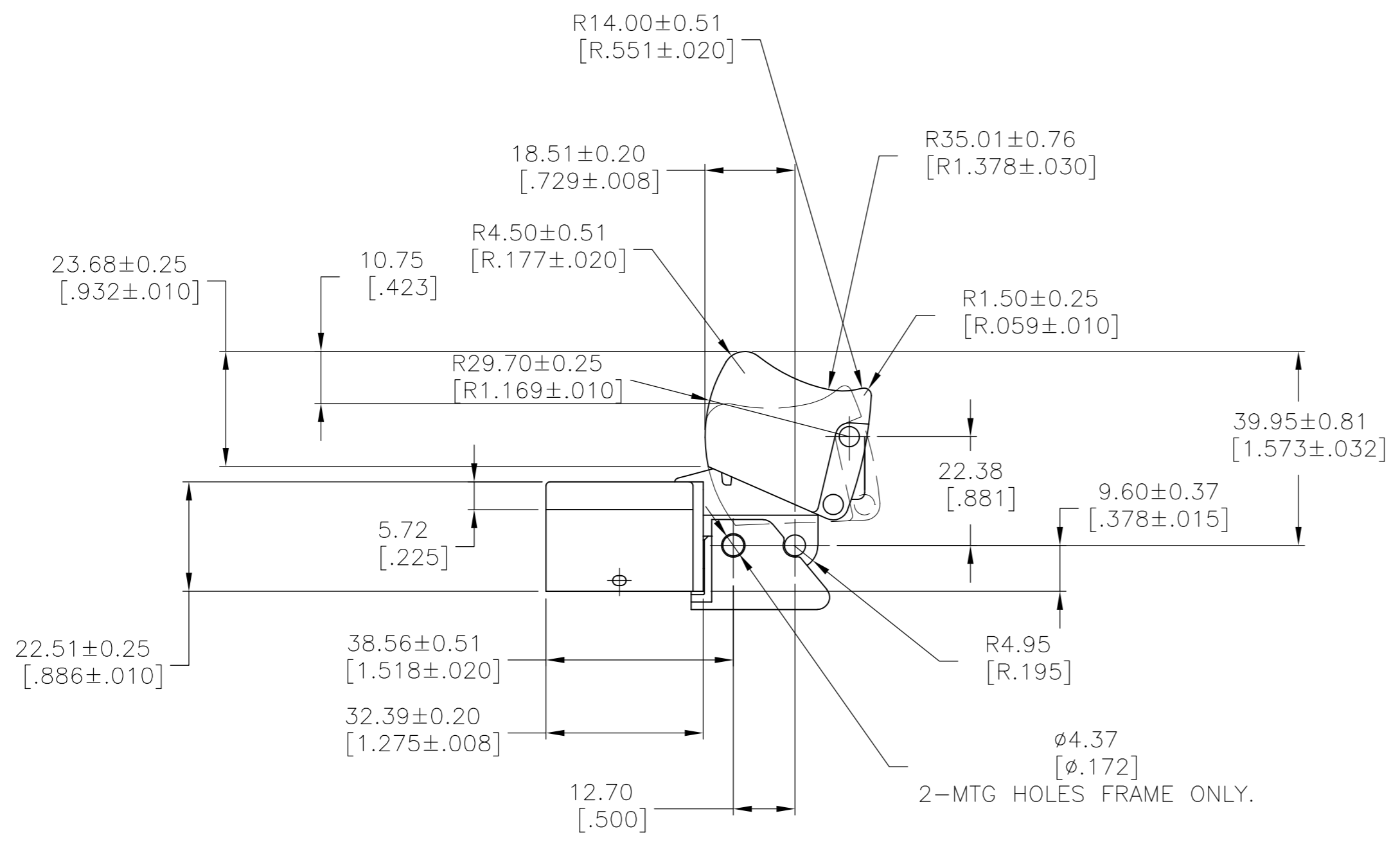
SUPERSEDED BY 7-1520166-7

THIS DRAWING IS A CONTROLLED DOCUMENT.		DWN W. Leonard	20DEC01	Tyco Electronics Corporation Harrisburg, Pa 17105-3608
DIMENSIONS: mm [INCHES]		CHK J. HUGGINS	21DEC01	
TOLERANCES UNLESS OTHERWISE SPECIFIED:		APVD -	-	NAME 8907 SERIES - OVERHANGING SWITCH
0 PLC ± -		PRODUCT SPEC	-	4.5A 250 VAC DPST WITH INTERNAL QUICK CONNECT HEAT SINK, DISCRETE COMPONENT CONSTRUCTION
1 PLC ± -		APPLICATION SPEC	-	SIZE A2
2 PLC ± -		WEIGHT	-	CAGE CODE 00779
3 PLC ± .13[.005]		CUSTOMER DRAWING	-	DRAWING NO. 1520166
4 PLC ± -		SCALE	2:1	SHEET 29 OF 32
ANGLES ± 1°		REV	AE1	RESTRICTED TO
MATERIAL	FINISH			

1520166

THIS DRAWING IS UNPUBLISHED. RELEASED FOR PUBLICATION
 © COPYRIGHT BY TYCO ELECTRONICS CORPORATION. ALL RIGHTS RESERVED.

LOC		DIST		REVISIONS			
P	LTR	DESCRIPTION	DATE	DWN	APVD		
AD	00	SEE SHEET 1					

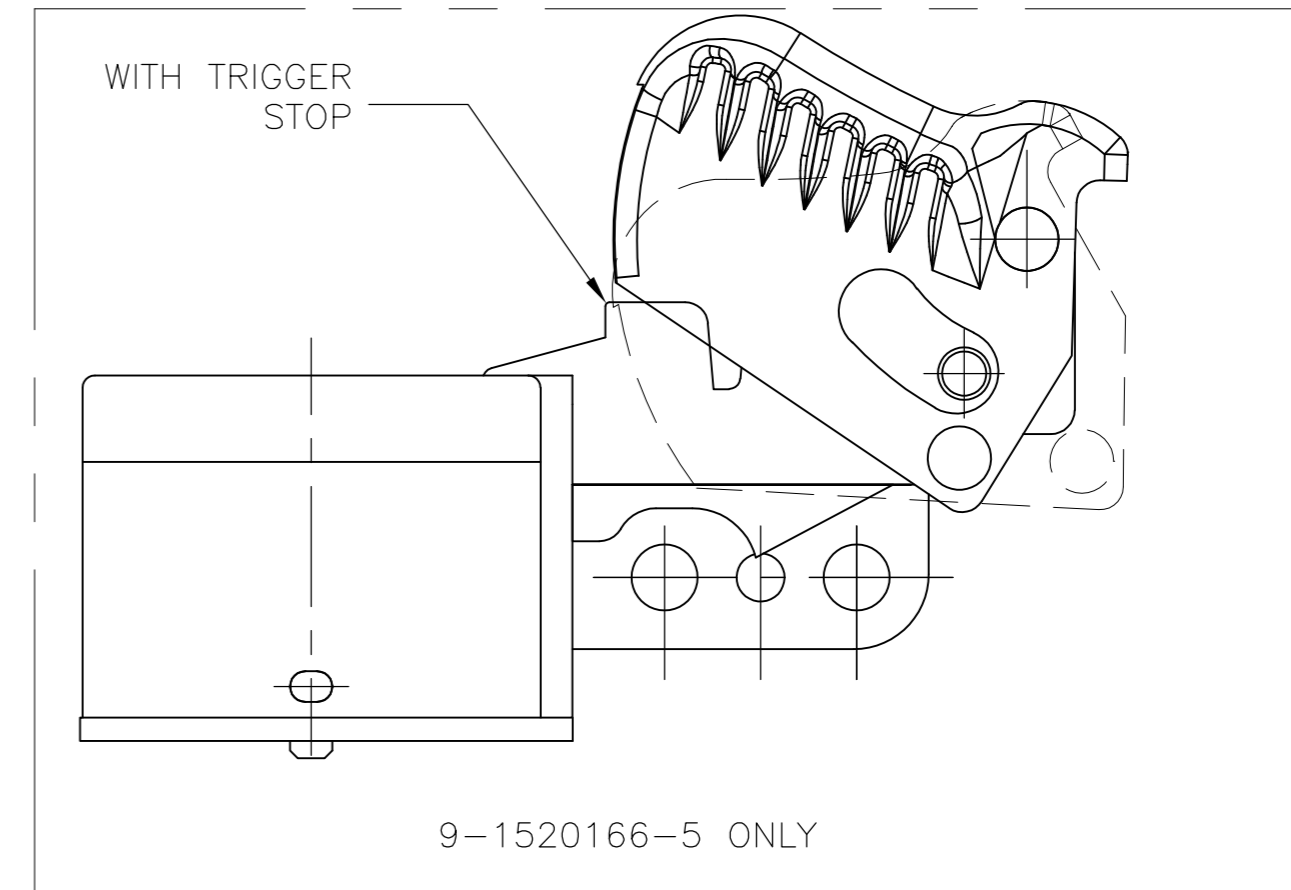
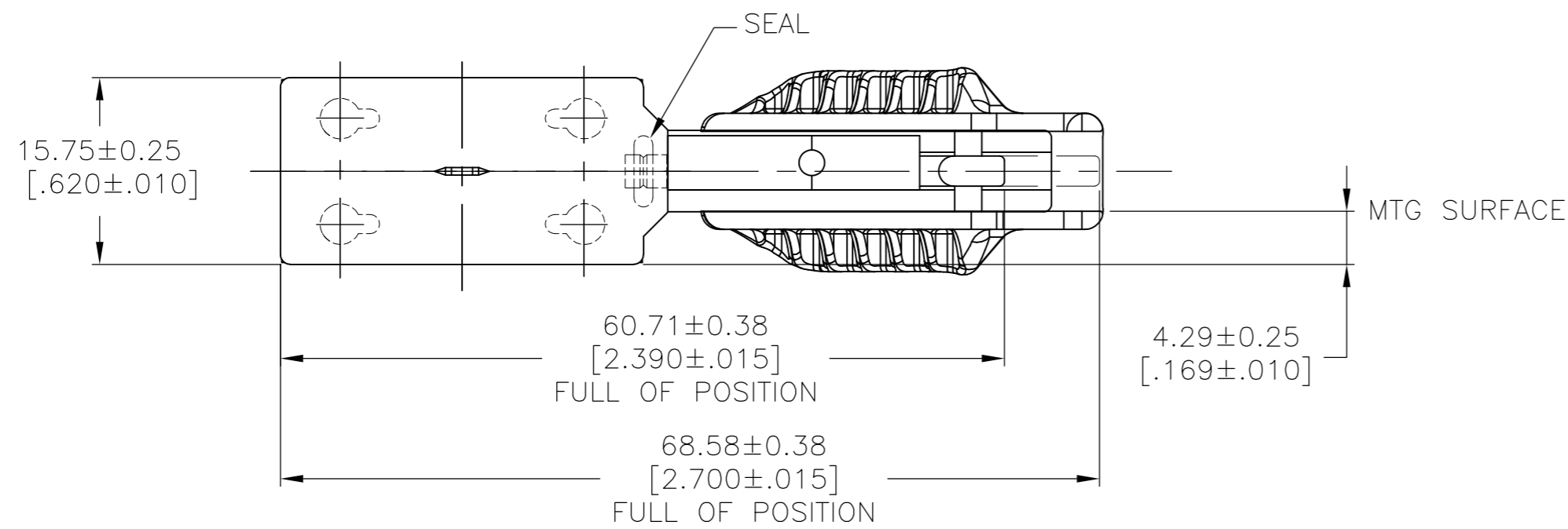
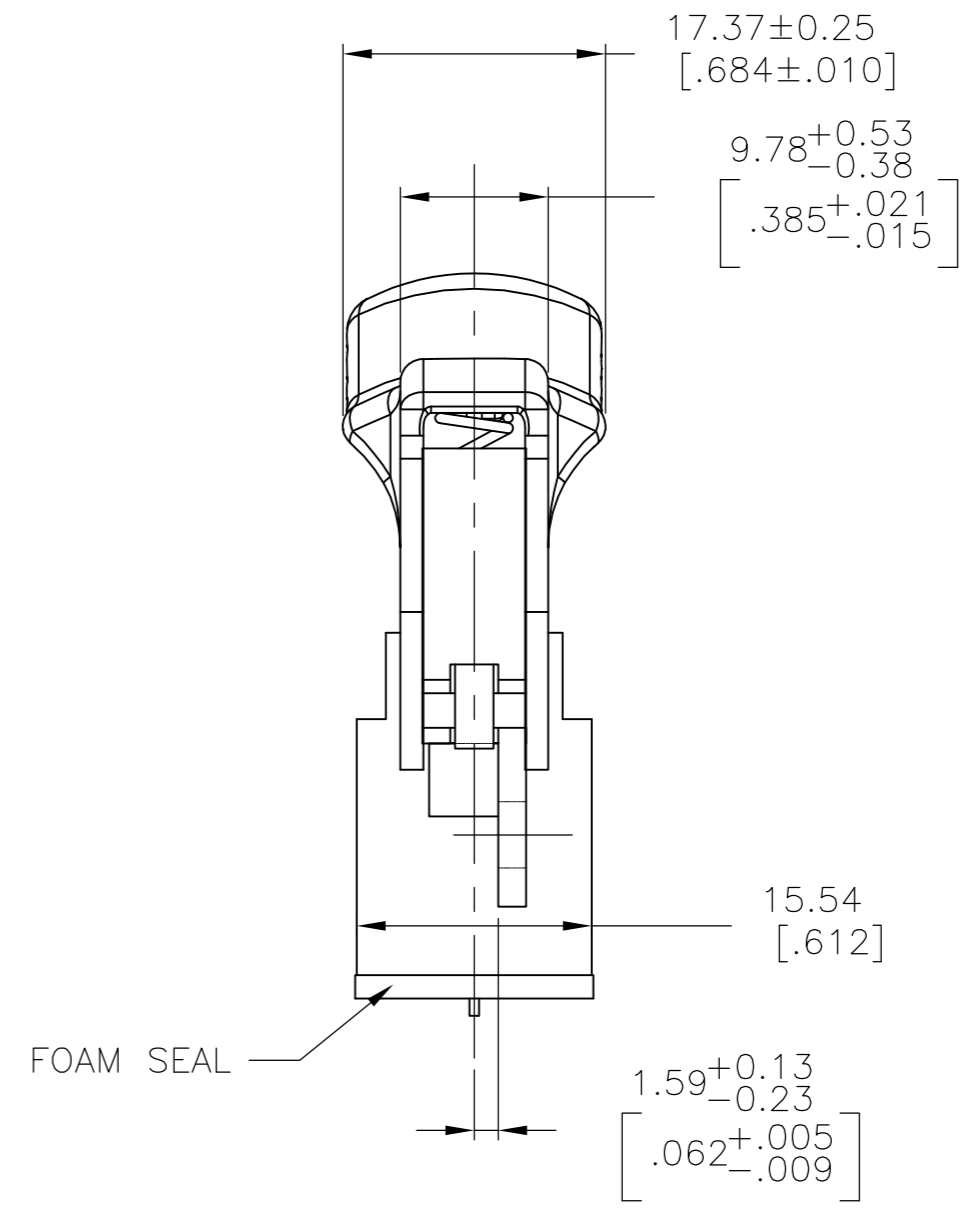
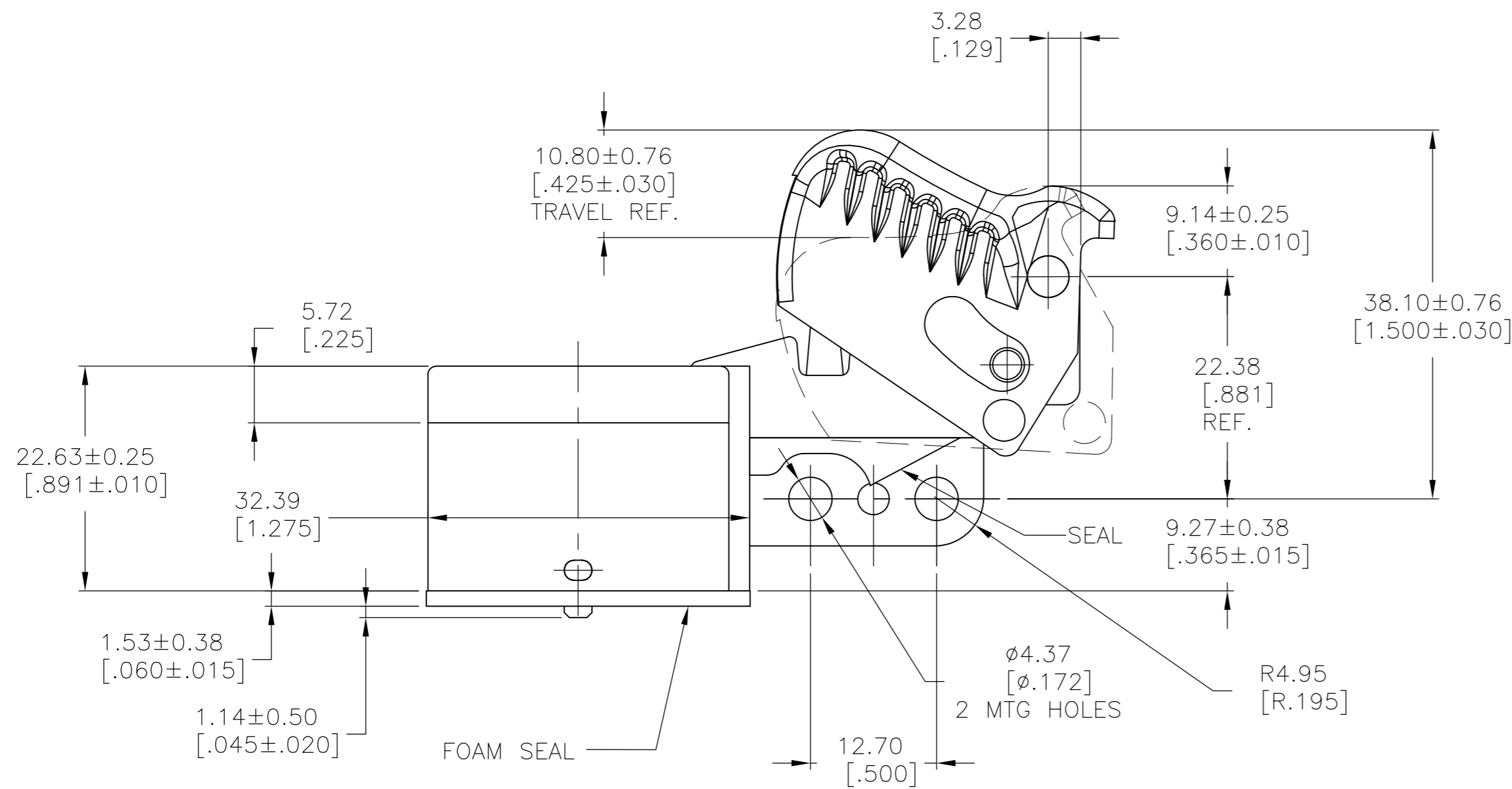


8-1520166-9	N/A	BLACK	12A/125VAC
7-1520166-3	8907K9	BLACK	11A/125VAC
TE SWITCH NO.	ARAB SWITCH NO.	TRIGGER COLOR	CURRENT RATING

THIS DRAWING IS A CONTROLLED DOCUMENT.		DWN W. Leonard	05APR02	Tyco Electronics Corporation Harrisburg, Pa 17105-3608	
DIMENSIONS: mm [INCHES]		CHK -	APVD W. HANSON	NAME 8907 SERIES-DUST RESISTANT OVERHANGING SWITCH 11A 125 VAC SPST WITH BUSSING AND 2ND HEAT SINK, Z-SPRING / D-PAK CONSTRUCTION	
TOLERANCES UNLESS OTHERWISE SPECIFIED:		PRODUCT SPEC	APPLICATION SPEC	SIZE A2	CAGE CODE 00779
0 PLC ± -		WEIGHT		DRAWING NO 1520166	RESTRICTED TO
1 PLC ± -		CUSTOMER DRAWING		SCALE 1:1	SHEET 30 OF 32
2 PLC ± -		SCALE		REV AE1	
3 PLC ± .13[.005]		SHEET			
4 PLC ± -		REV			
ANGLES ± 1°					
FINISH					

THIS DRAWING IS UNPUBLISHED. RELEASED FOR PUBLICATION
 © COPYRIGHT BY TYCO ELECTRONICS CORPORATION. ALL RIGHTS RESERVED.

LOC		DIST		REVISIONS			
P	LTR	DESCRIPTION	DATE	DWN	APVD		
		SEE SHEET 1					



1. PUSH-IN TERMINAL OPENINGS TO RECEIVE #16 OR #18 GA. STRANDED TINNED LEADS. WIRE STRIPPED LENGTH TO BE 7.62-10.16 [.300 - .400].
2. OUTSIDE CONTOURS TO BE PER METCO PRO-E FILE 23-66-1965_trigger

TE SWITCH NO.	ARAB SWITCH NO.	TRIGGER COLOR
-6-1520166-7	8907K22	BLACK
9-1520166-5	-	BLACK

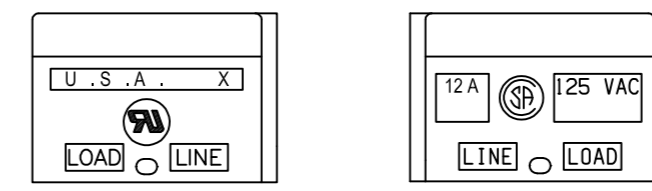
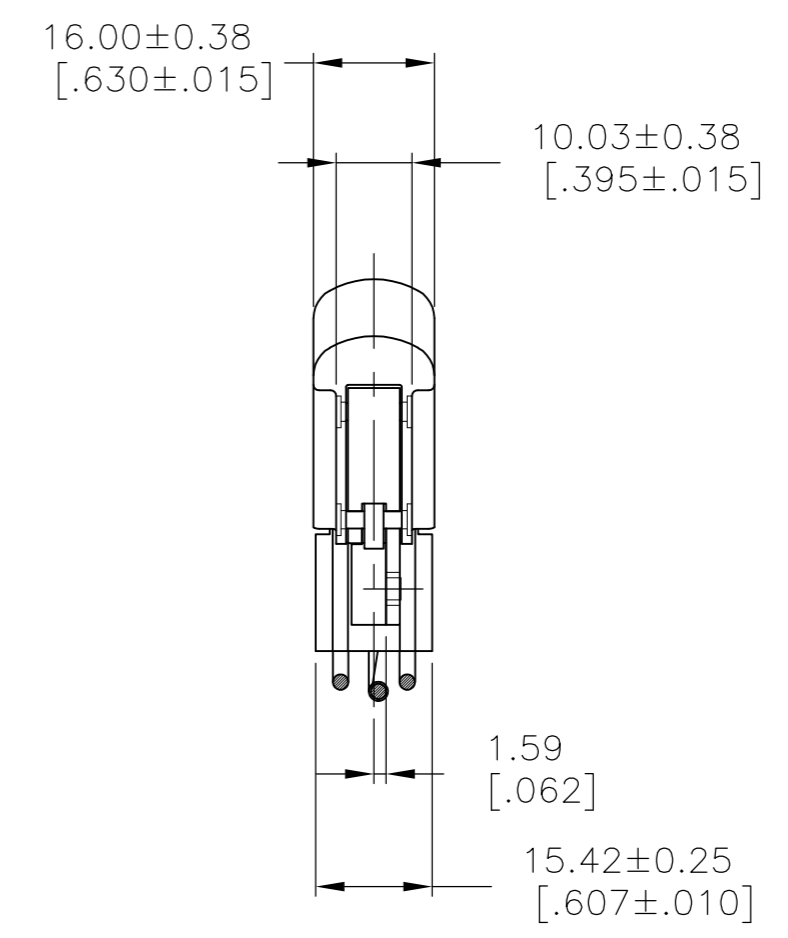
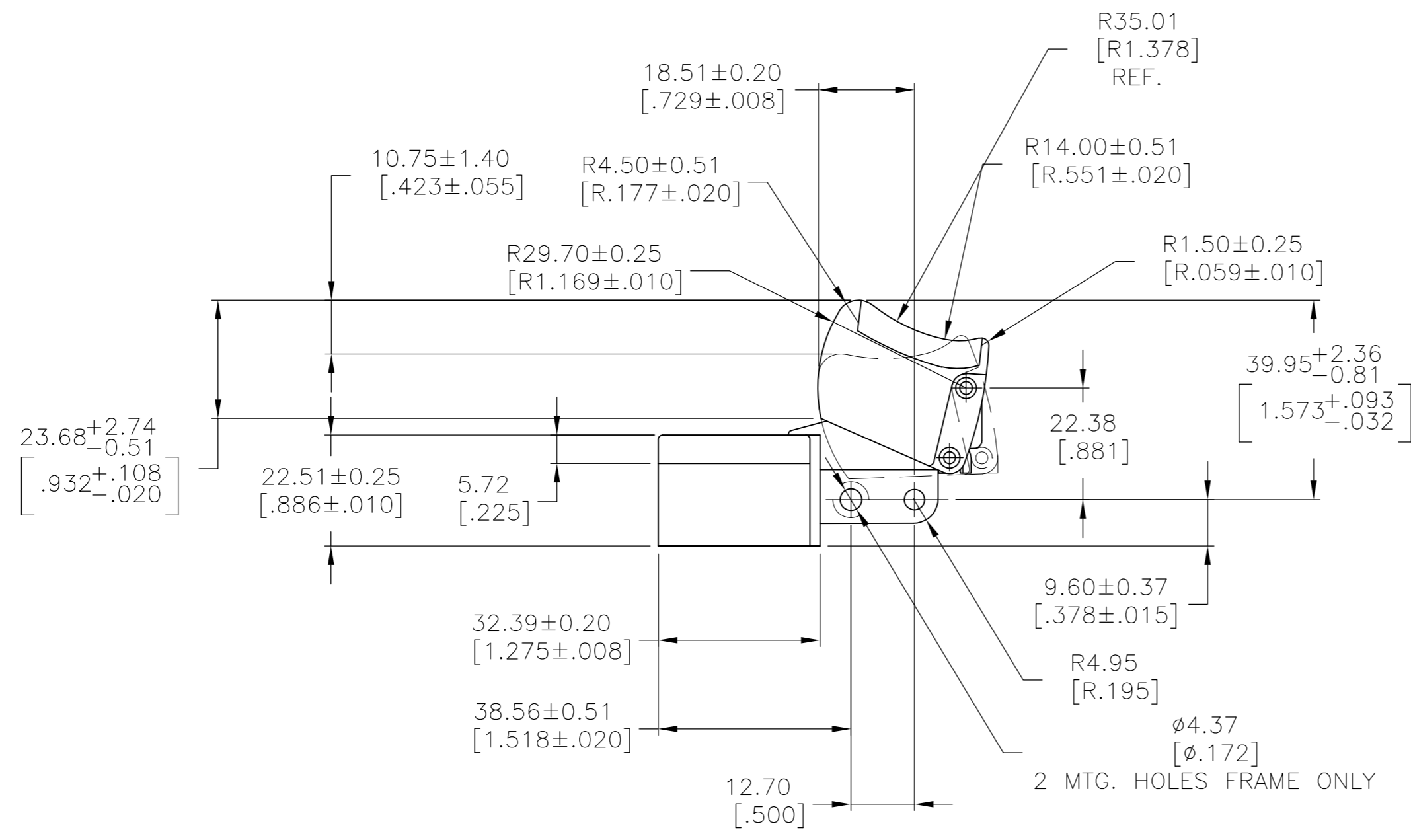
OBSOLETE

THIS DRAWING IS A CONTROLLED DOCUMENT.		DWN W. LeonarD	13AUG02	Tyco Electronics Corporation Harrisburg, Pa 17105-3608	
DIMENSIONS: mm [INCHES]		CHK -	APVD W. HANSON	NAME 8907 SERIES-DUST RESISTANT OVERHANGING SWITCH 12A 125 VAC DPST WITH EXTERNAL QUICK CONNECT HEAT SINK, Z-SPRING CONSTRUCTION	
TOLERANCES UNLESS OTHERWISE SPECIFIED: 0 PLC ± - 1 PLC ± - 2 PLC ± - 3 PLC ± .13 [.005] 4 PLC ± - ANGLES ± 1°		PRODUCT SPEC -	APPLICATION SPEC -	SIZE A2	CAGE CODE 00779
MATERIAL -		FINISH -	WEIGHT -	DRAWING NO. C=1520166	RESTRICTED TO -
CUSTOMER DRAWING			SCALE 2:1	SHEET 31 of 32	REV AE1

1520166

THIS DRAWING IS UNPUBLISHED. RELEASED FOR PUBLICATION
 © COPYRIGHT BY TYCO ELECTRONICS CORPORATION. ALL RIGHTS RESERVED.

LOC	DIST	REVISIONS			
P	LTR	DESCRIPTION	DATE	DWN	APVD
AD	00	SEE SHEET 1	-	-	-



9-1520166-0
 SWITCH MARKINGS

- PUSH-IN TERMINAL OPENINGS TO RECEIVE # 16 GA OR #18 GA STRANDED TIN DIPPED WIRE. WIRE STRIP LENGTH 6.35 - 10.16 [.250 - .400] . (PULL OUT FORCE MUST BE 5 LBS MIN.)
- ZAP GREY COLOR DEFINITION, CUTOMER P/N 490844060 (PA66 + 30%G.F.)

THIS DRAWING IS A CONTROLLED DOCUMENT.		DWN W. HANSON 29AUG97	Tyco Electronics Corporation Harrisburg, Pa 17105-3608	
DIMENSIONS: mm [INCHES]		CHK W. Leonard 10SEP97	NAME 8907 SERIES-DUST RESISTANT OVERHANGING SWITCH WITH EXTERNAL MODULE Z-SPRING CONSTRUCTION	
TOLERANCES UNLESS OTHERWISE SPECIFIED:		APVD M.R. DUMMER 10SEP97	SIZE A2	CAGE CODE 00779
0 PLC ± - 1 PLC ± - 2 PLC ± - 3 PLC ± .13 [.005] 4 PLC ± - ANGLES ± 1°		PRODUCT SPEC APPLICATION SPEC	DRAWING NO. C=1520166	RESTRICTED TO -
MATERIAL -	FINISH -	WEIGHT -	SCALE 1:1	SHEET 32 OF 32
9-1520166-0 TE SWITCH NO.		N/A ARAB SWITCH NO.		12A 125VAC SWITCH DESCRIPTION
BLACK W/ZAP GREY SOFT GRIP TRIGGER COLOR		CUSTOMER DRAWING		