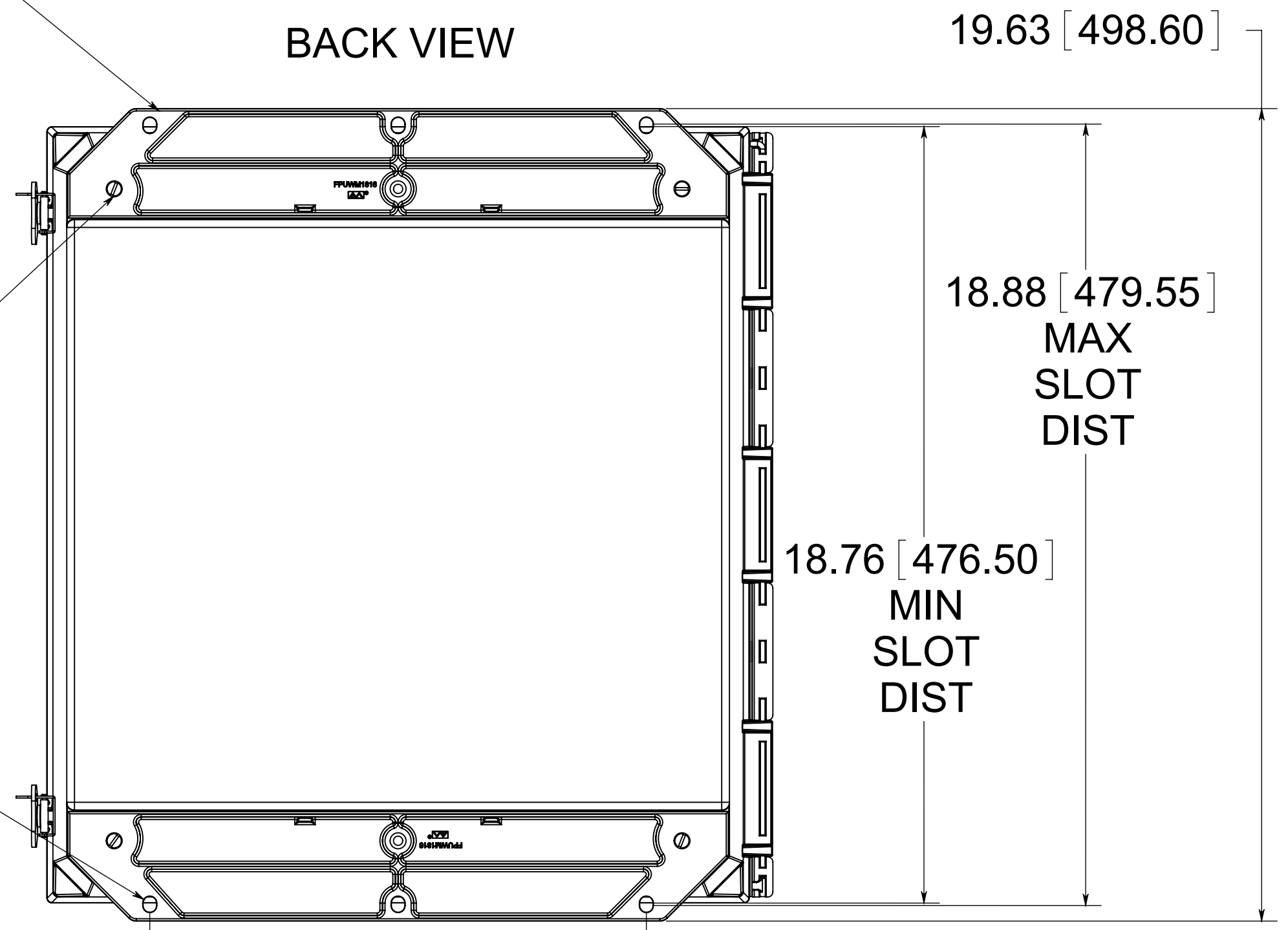


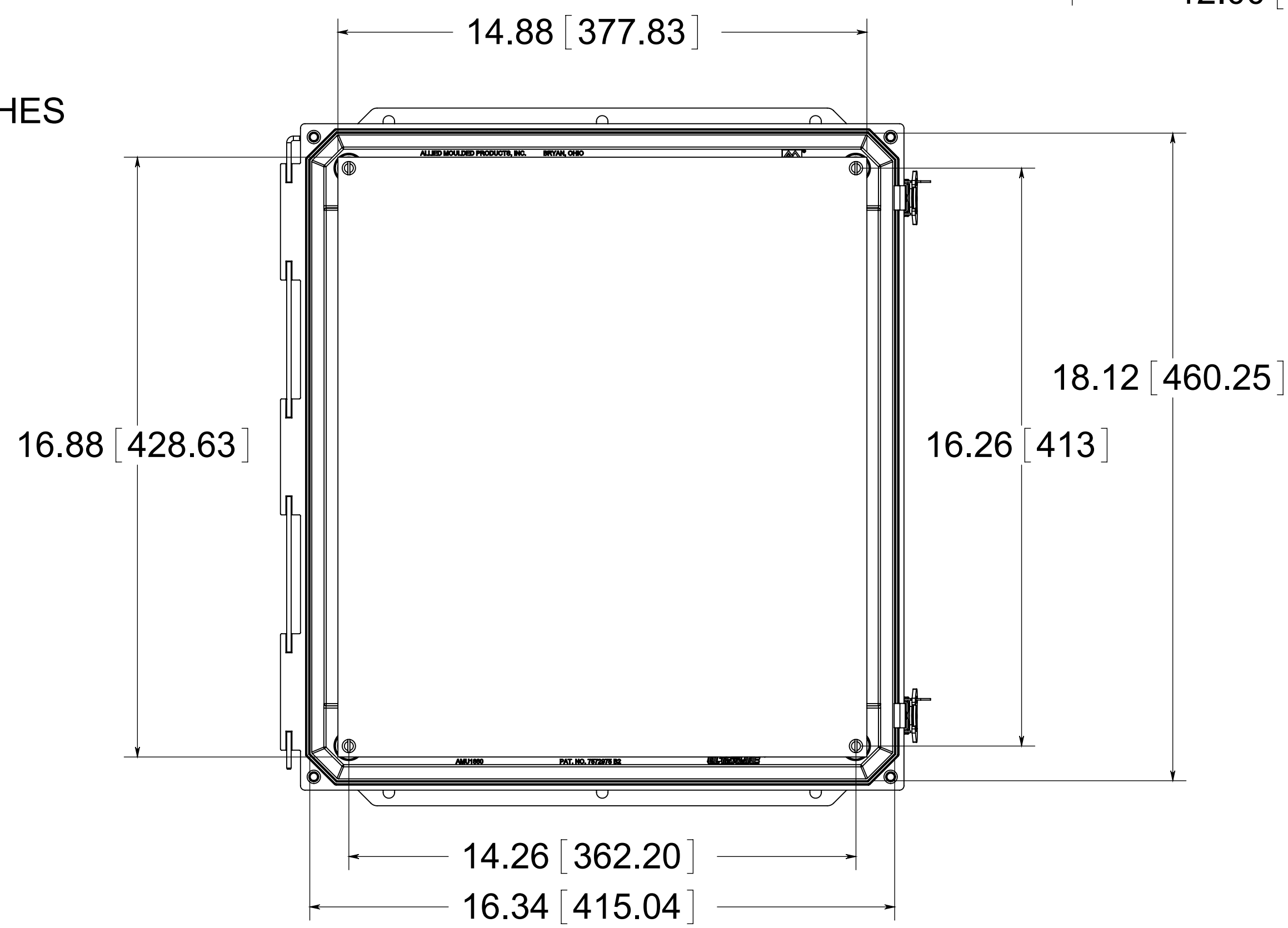
OPTIONAL BACK PANEL  
 0.100 [2.54] TH'K- ALUMINUM  
 0.075 [1.91] TH'K- WHITE STEEL & GALVANNEALED  
 0.125 [3.18] TH'K- FIBERGLASS

(2) POLYCARBONATE  
 FLANGES (GLUED)

(4) EACH #10-32 BRASS  
 INSERTS, AND STAINLESS  
 STEEL FLANGE AND  
 FEET SCREWS



FRONT VIEW  
 WITH COVER REMOVED  
 AND BACK PANEL DISPLAYED



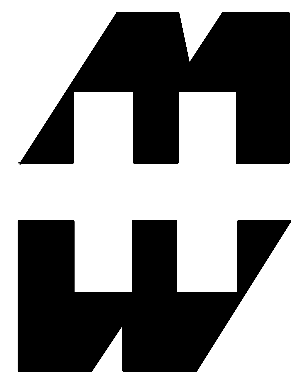
STAINLESS STEEL  
 HINGE PIN

CLOSED CELL  
 NEOPRENE  
 GASKET

(2) STAINLESS STEEL  
 LOCKABLE TWIST LATCHES

SECTION B-B  
 (4) EACH #10-32 BRASS  
 INSERTS AND PLATED  
 CARBON STEEL SCREWS

MATERIAL:  
 BOX- COMPRESSION MOLDED FIBERGLASS REINFORCED POLYESTER  
 COVER- COMPRESSION MOLDED FIBERGLASS REINFORCED POLYESTER  
 WINDOWS- POLYCARBONATE



PART No. PJU181610TF  
 for more information visit  
[www.hammfg.com](http://www.hammfg.com)  
 Data subject to change without notice  
 Drawing Not to Scale