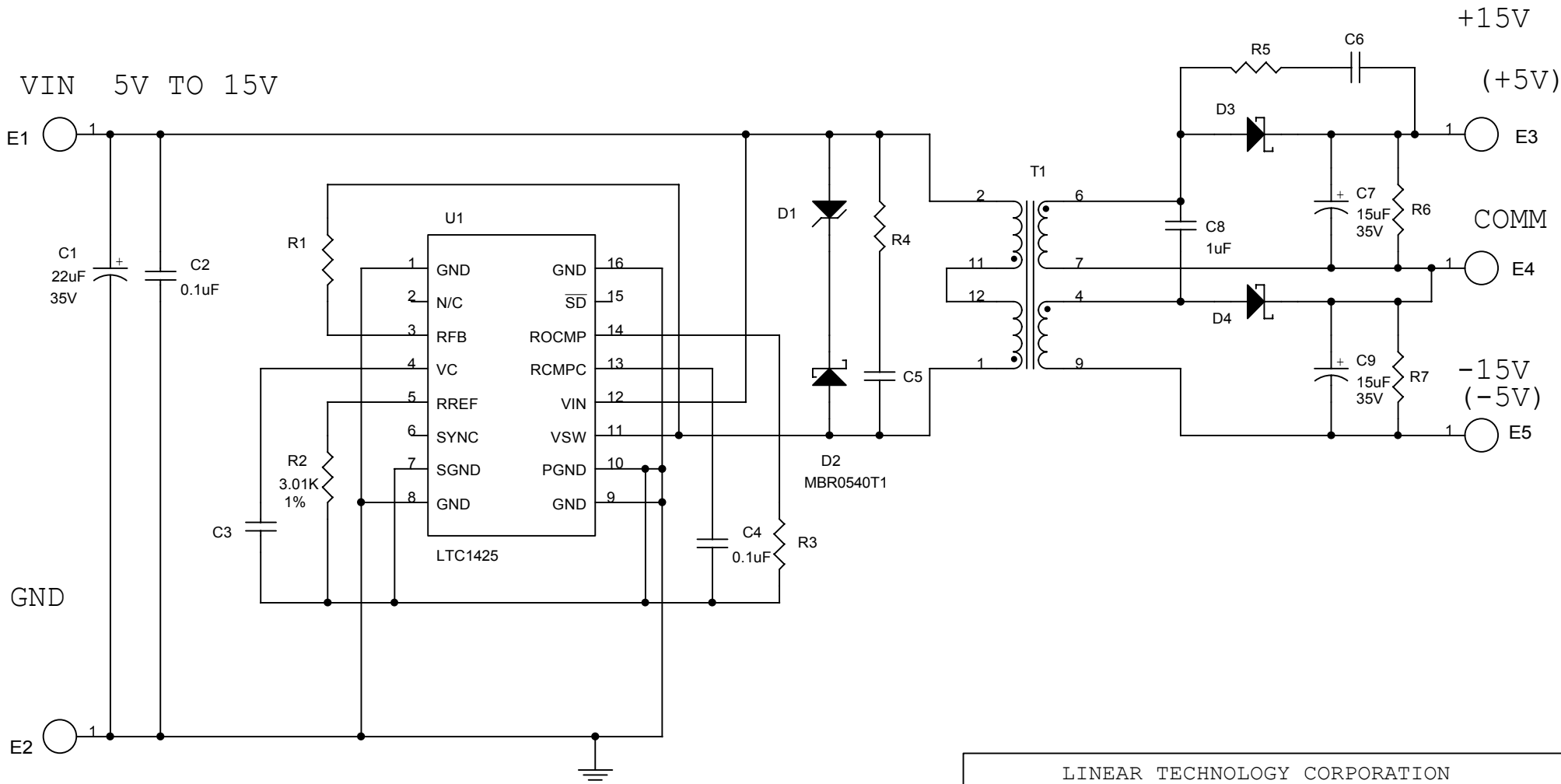
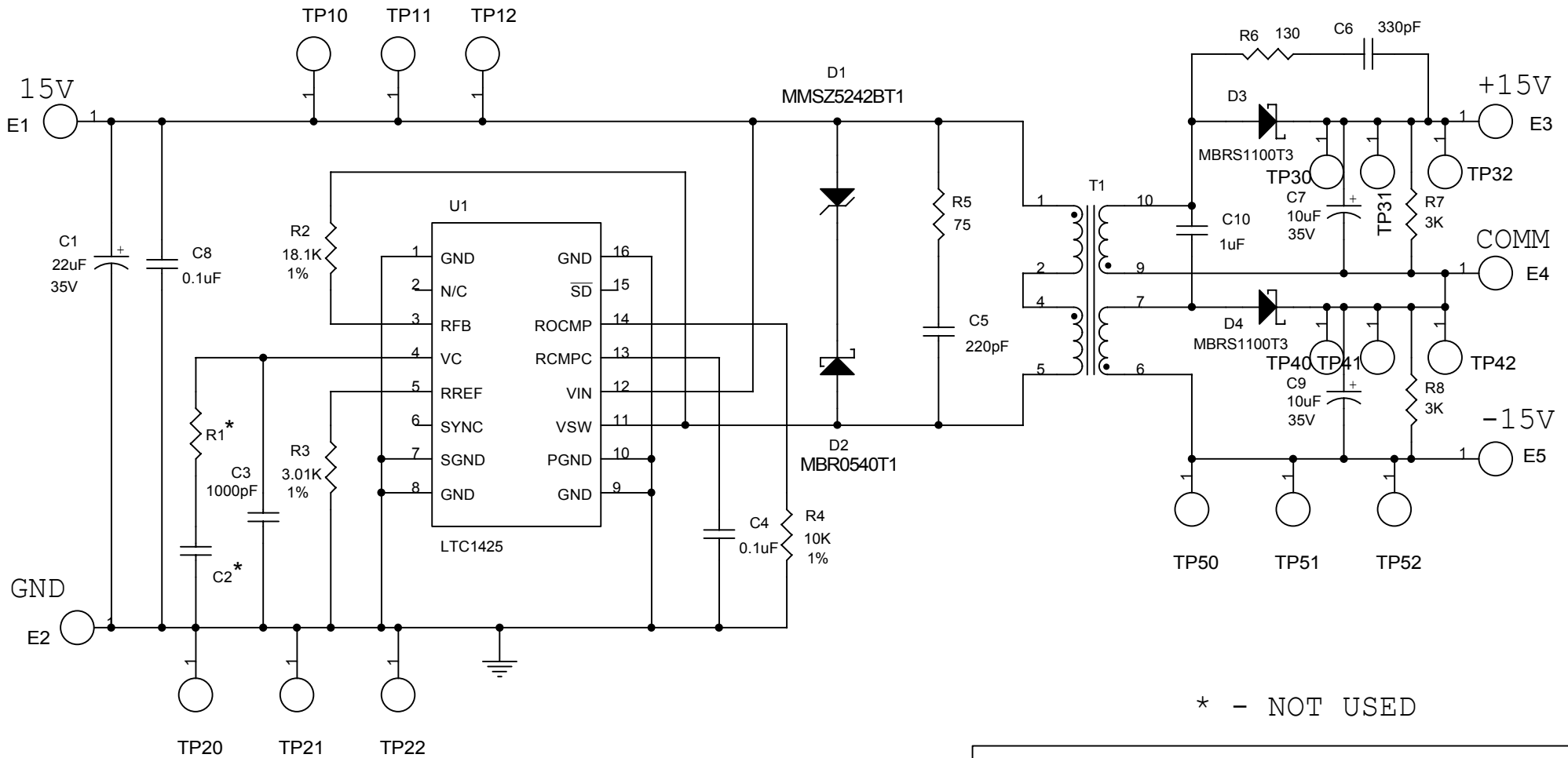


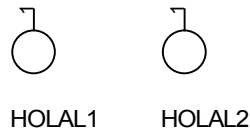
DEMO	REVISION	C3	C5	C6	D1	D3, D4	R1 1% R3 1%	R4	R5	R6, R7	T1
159A-A	+5V -5V	??pF	??pF	??pF	MMSZ52??BT1	MBRS1100T3	??K ??K	??	??	1K	CTX02-13509
159A-B	+15V -15V	1000pF	220pF	330pF	MMSZ5242BT1	MBRS130T3	18.4K 7.32K	75	130	3K	CTX02-13498



LINEAR TECHNOLOGY CORPORATION		
1630 McCARTHY BLVD. MILPITAS, CA 95035		
Title		
ISOLATED FLYBACK CONVERTER		
Size	Document Number	Rev
A	159	A
Date:	Tuesday, May 27, 2003	Sheet 1 of 1

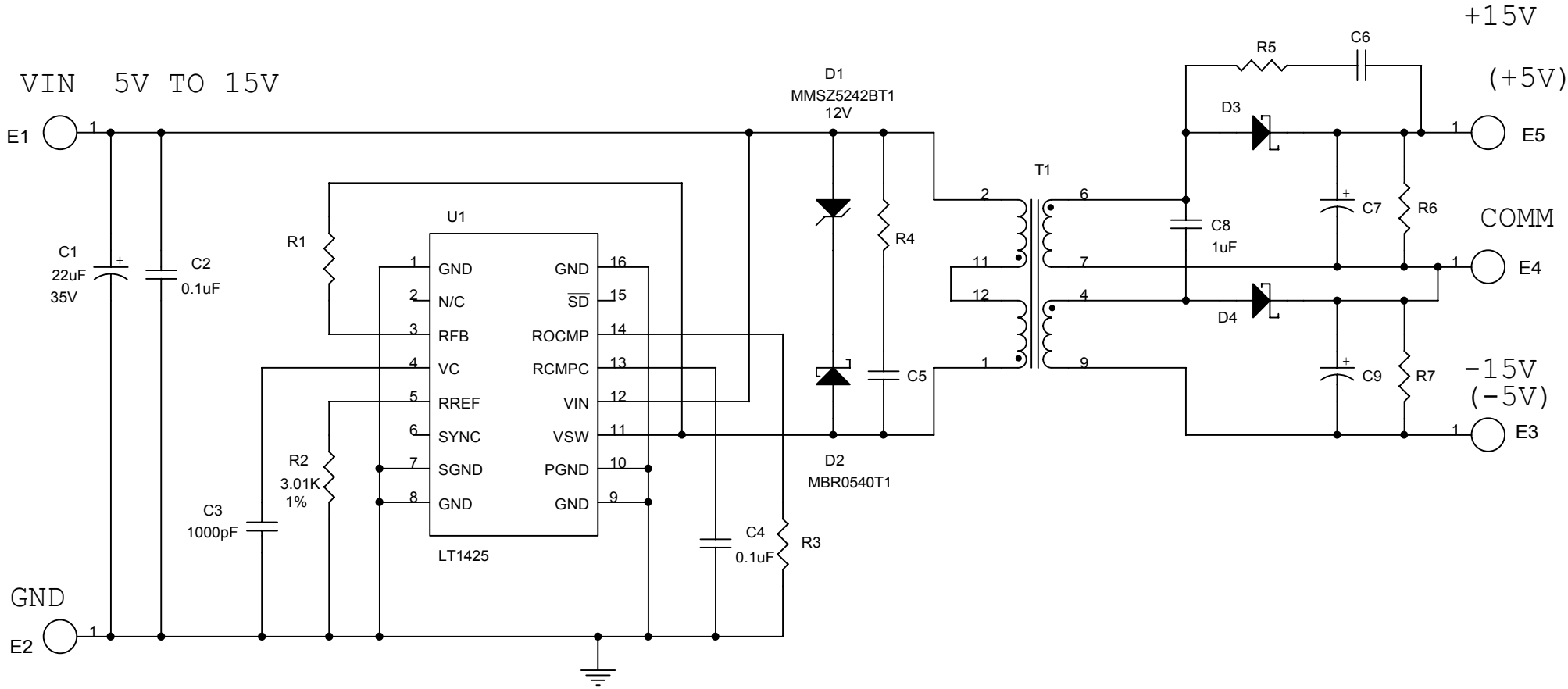


* - NOT USED



LINEAR TECHNOLOGY CORPORATION		
1630 McCARTHY BLVD. MILPITAS, CA 95035		
Title		
15V TO +/-15V ISOLATED FLAYBACK CONVERTER		
Size	Document Number	Rev
A	151	A
Date:	Tuesday, May 27, 2003	Sheet 1 of 1

DEMO	REVISION	C5	C6	C7, C9	D3, D4	R1 1%	R3 1%	R4	R5	R6, R7	T1
159A-A	+5V -5V	330pF	470pF	100uF 10V	MBRS130T3	17.4K	10.5K	51	39	1K	CTX02-13509
159A-B	+15V -15V	220pF	330pF	15uF 35V	MBRS1100T3	18.7K	14.7K	75	130	3K	CTX02-13498



LINEAR TECHNOLOGY CORPORATION		
1630 McCARTHY BLVD. MILPITAS, CA 95035		
Title		
ISOLATED FLYBACK CONVERTER		
Size A	Document Number 159	Rev A
Date: Tuesday, May 27, 2003	Sheet 1 of 1	