

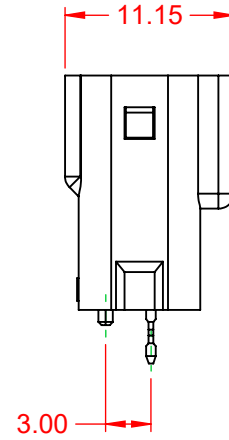
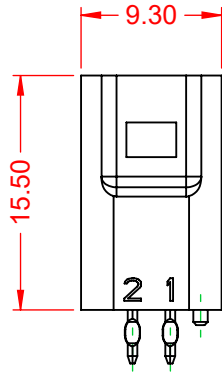
2 CONTACTS
 BLUE MALE HOUSING (ONLY FOR BOARD MOUNT CONTACTS)

TOLERANCE UNLESS OTHERWISE SPECIFIED	
.X	±0.38
.XX	±0.25
.XXX	±0.13

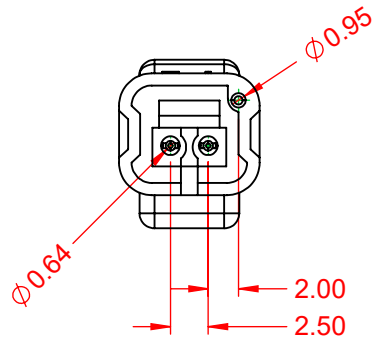
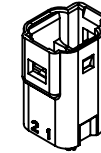
THIS IS A C.A.D. GENERATED DRAWING
 DO NOT MAKE MANUAL REVISIONS TO MASTER.



ISSUE NUMBER	
ORIGINAL	①



ISO 1:1



NOTE:

ELECTRICAL SPECIFICATIONS:

VOLTAGE RATING:	250V MAX.
CURRENT RATING:	3A per CONTACT
CONTACT RESISTANCE:	15mΩ MAX.
INSULATOR RESISTANCE:	1000MΩ min.
DIELECTRIC WITHSTANDING VOLTAGE:	1000V AC(RMS)
OPERATING TEMPERATURE:	-40°C ~ 105°C

MATERIAL & FINISH:

HOUSING:	PBT WITH GLASS, UL94V-0
CONTACTS:	BRASS, TIN PLATED
SEALS:	SILICONE RUBBER

<h3>560 SERIES WATERPROOF CONNECTOR</h3>		ACAD REFERENCE NO.: 560 Assembly		
		DRAWN: C.B	DATE: July 23, 2020	
EDAC INC TORONTO, ONTARIO CANADA YOUR CONNECTION TO QUALITY & SERVICE		CHECKED:	DATE:	
		SCALE: 2:1	SHEET 1 OF 1	
THESE DRAWINGS AND SPECIFICATIONS ARE THE PROPERTY OF EDAC INC., AND SHALL NOT BE REPRODUCED, OR COPIED OR USED AS THE BASIS FOR THE MANUFACTURE OR SALE OF APPARATUS WITHOUT WRITTEN PERMISSION.			DRAWING NUMBER: 560 Assembly	ISSUE
			PART NUMBER: 560-002-420-301	1

THIS SERIES FULLY CONFORMS TO THE EUROPEAN UNION DIRECTIVES 2011/65/EU FOR RoHS COMPLIANCY.