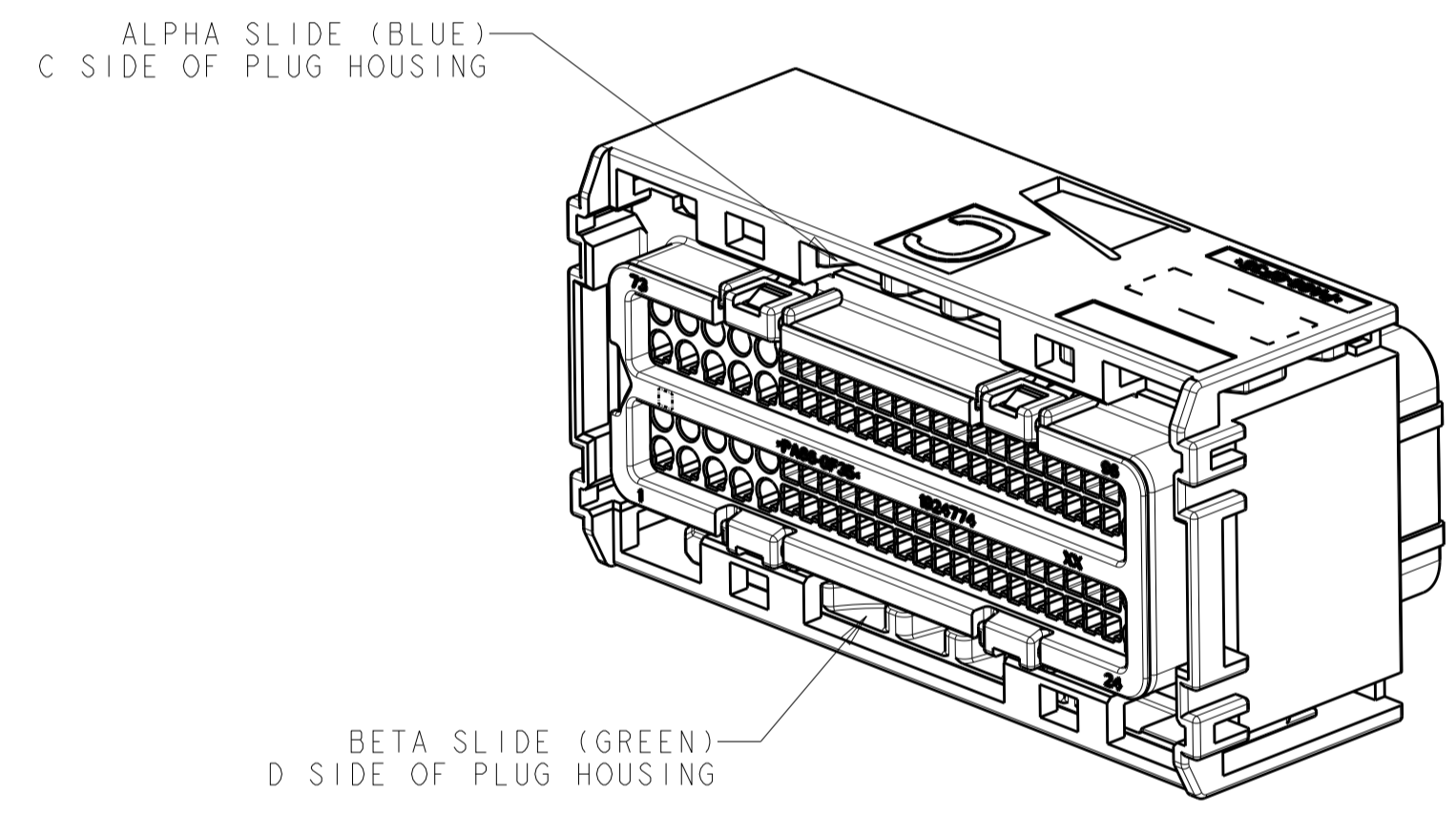
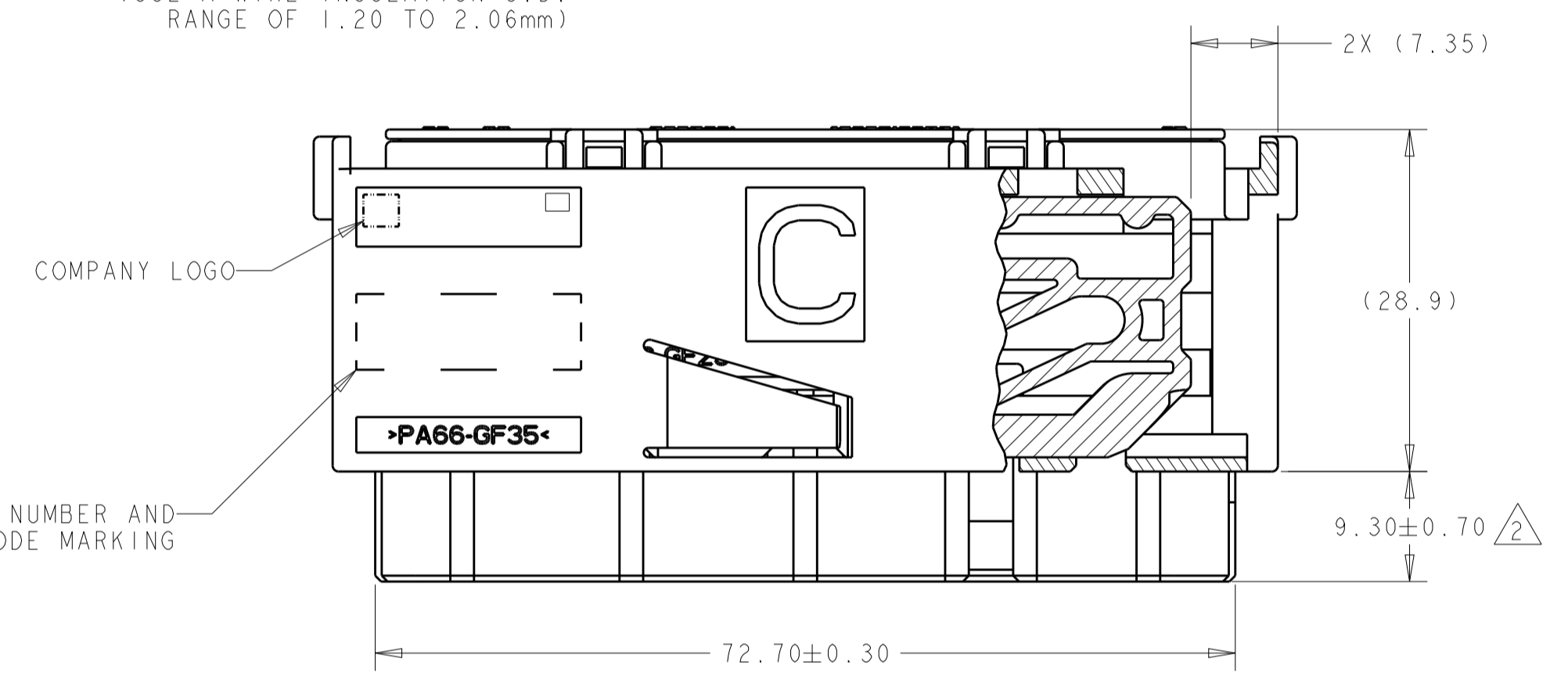
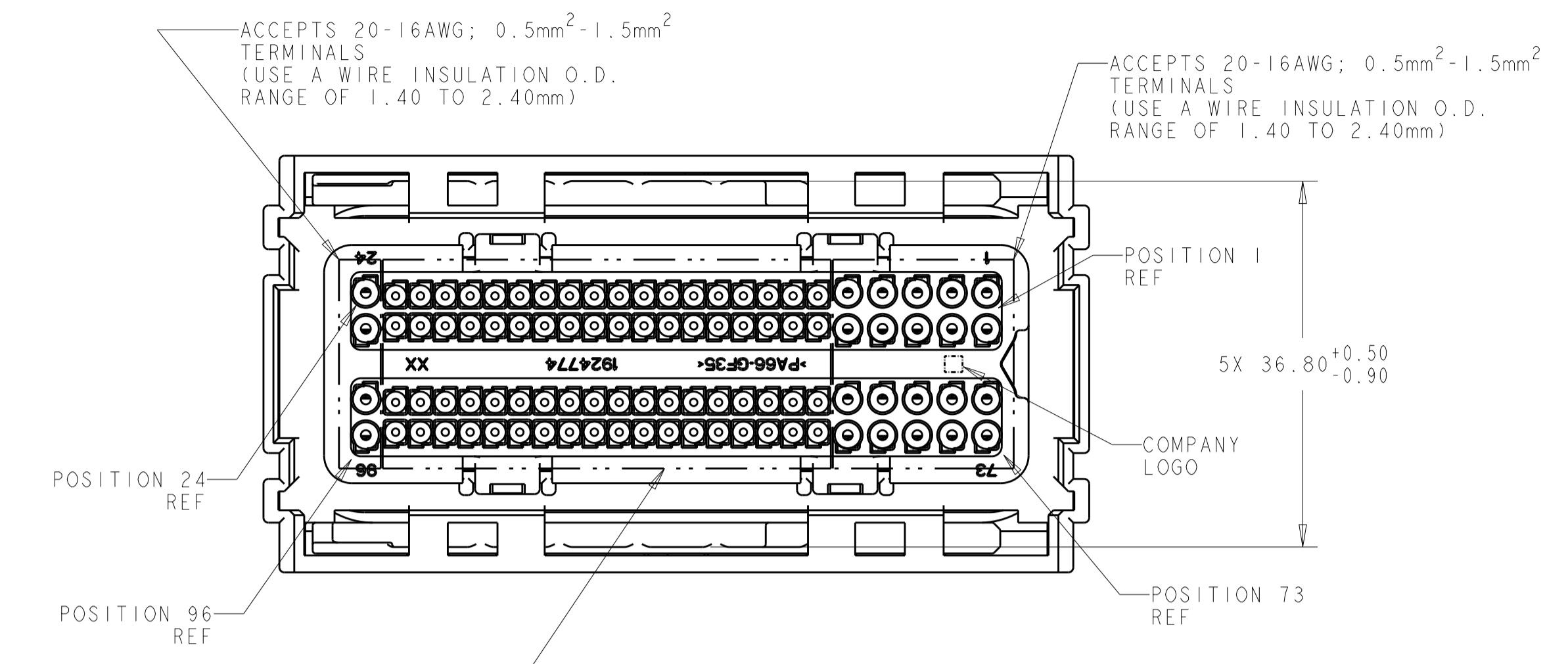
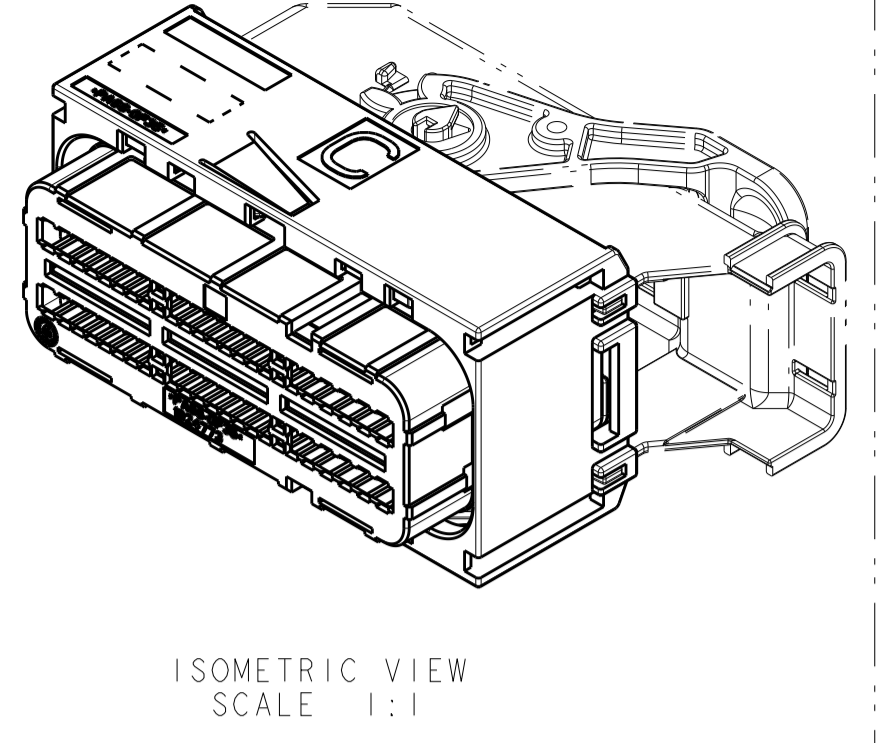
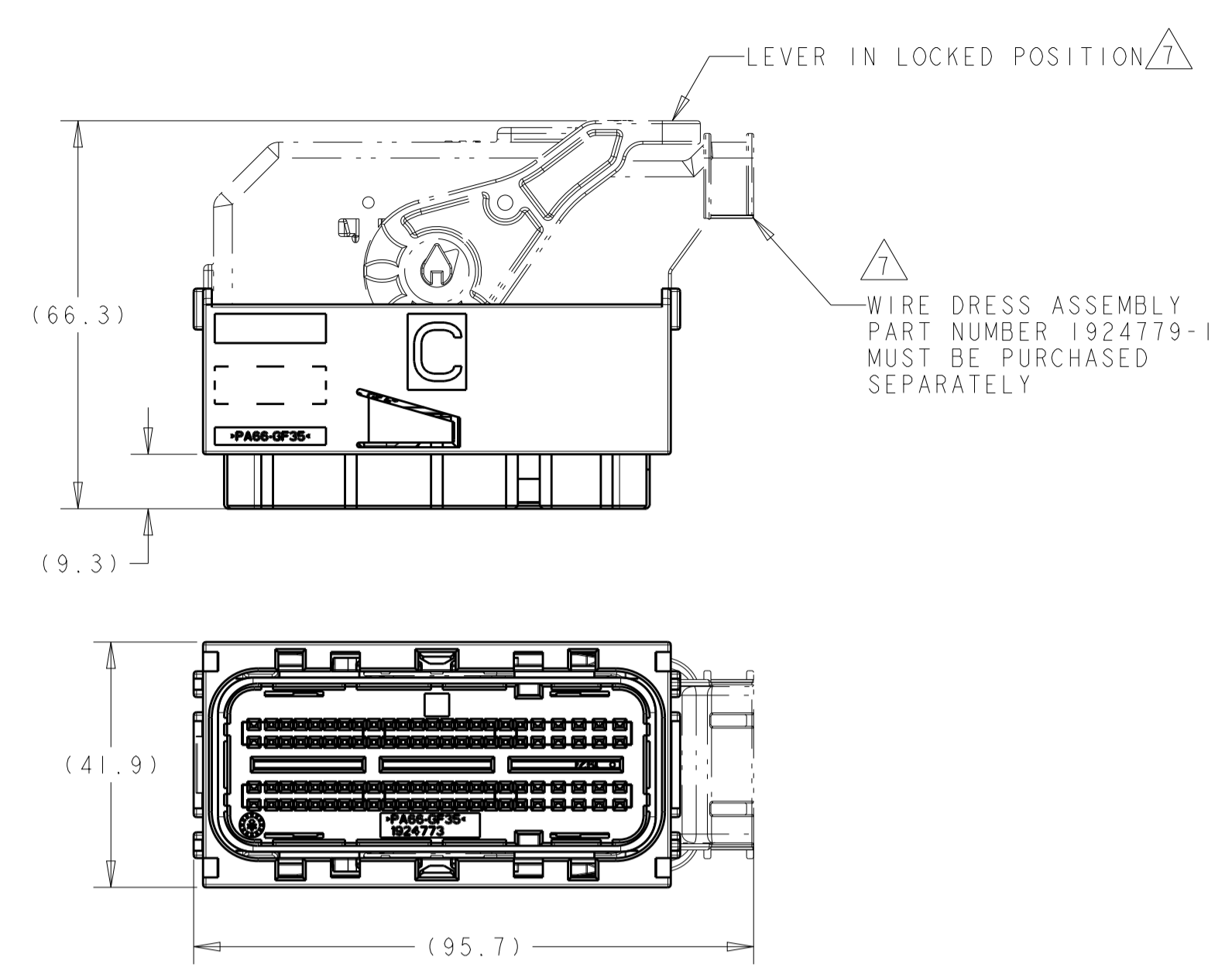
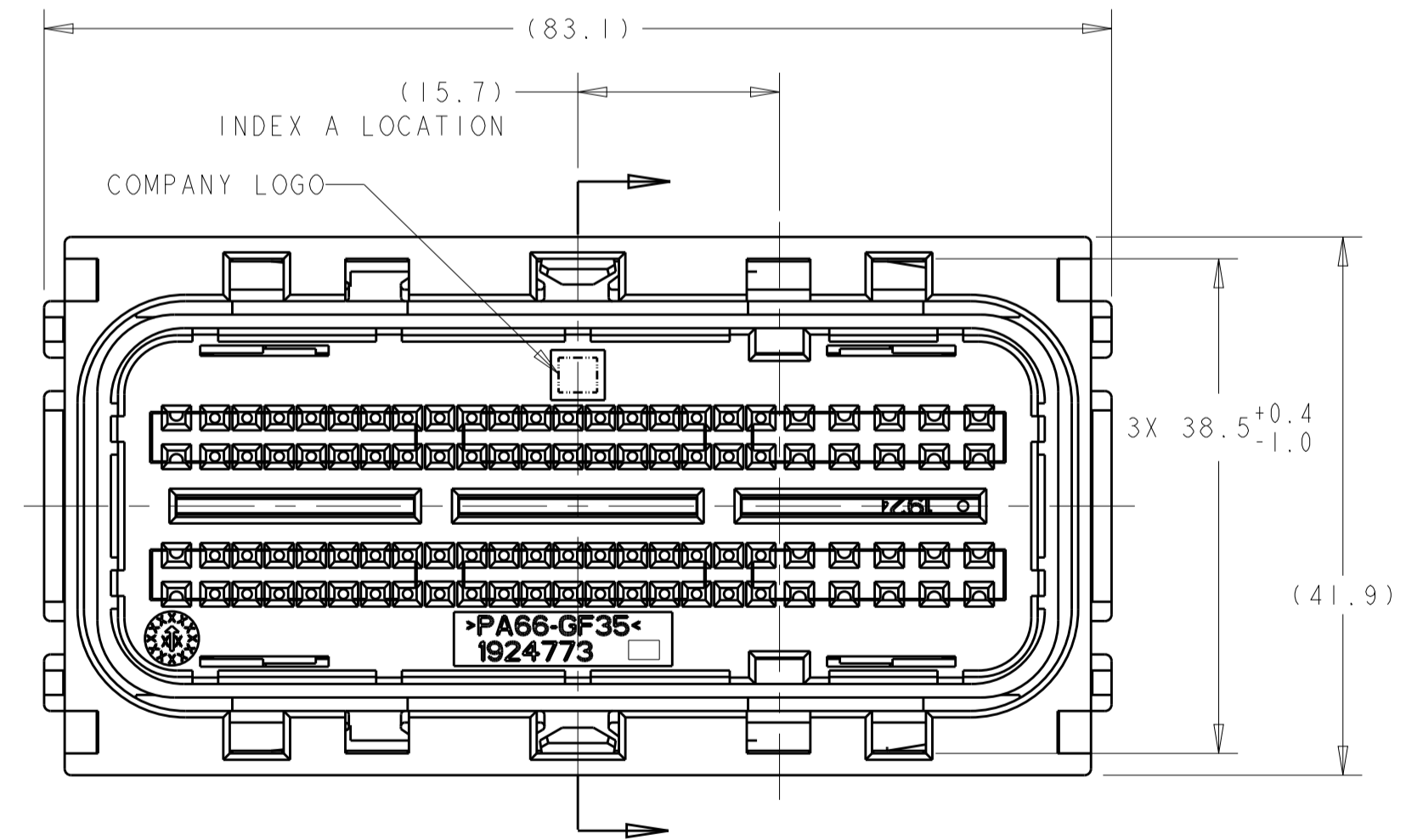
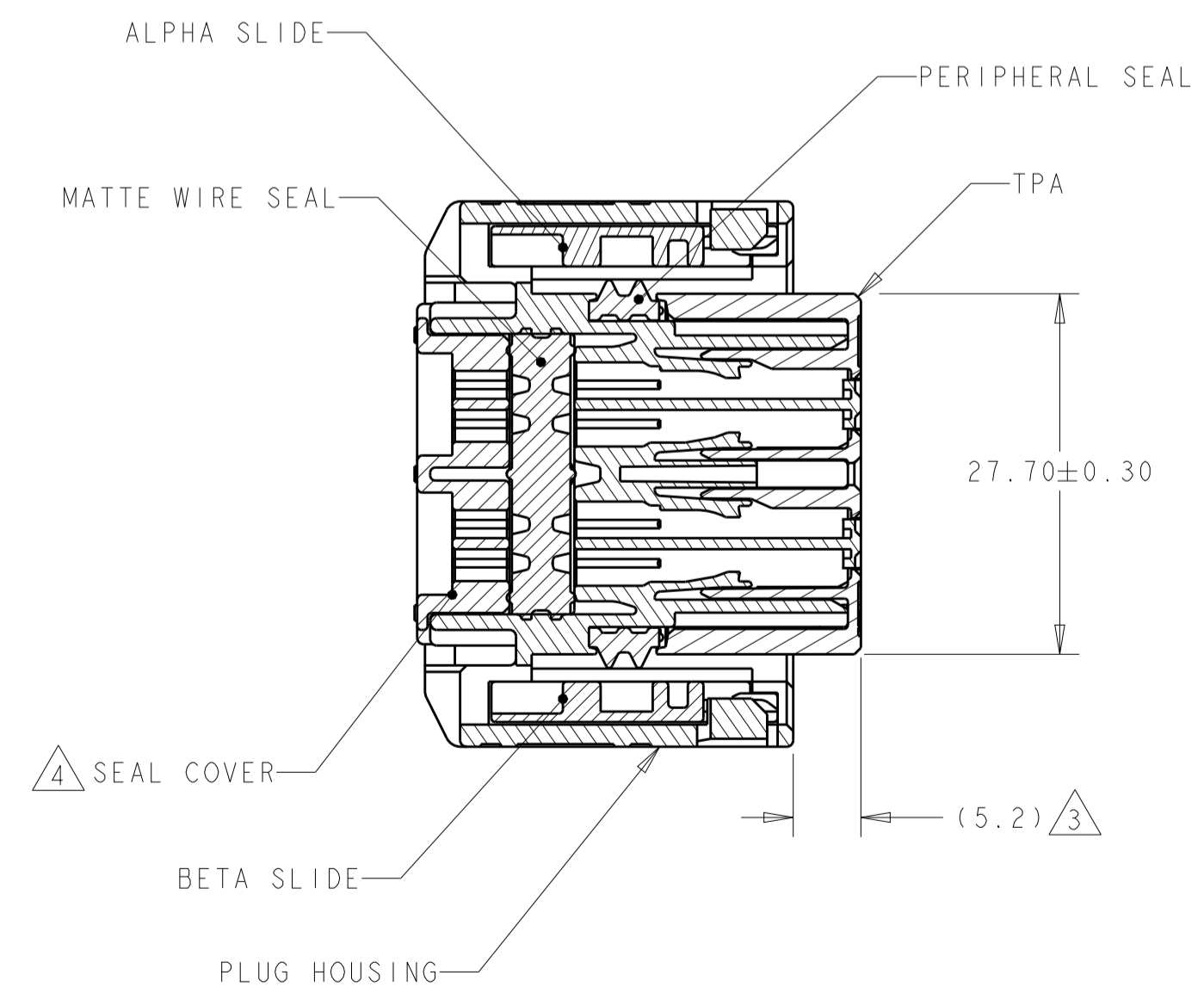


REVISIONS				
P.	LTN	DESCRIPTION	DATE	OWN APVD
C3		REVISED PER ECO-16-013204	07SEP2016	DD GK
C4		REVISED PER ECO-16-018154	16DEC2016	DD GK



(METHOD FOR IDENTIFYING EXIT ORIENTATION)



- 1 PLUG HOUSING AND SEAL COVER: NYLON 6/6, BLACK. TPA: NYLON 6/6, COLOR - SEE TABLE. MATTE WIRE SEAL: SILICONE, LIGHT BLUE. PERIPHERAL SEAL: SILICONE, GREEN. ALPHA SLIDE: NYLON 6/6, BLUE. BETA SLIDE: NYLON 6/6, GREEN.

- 2 TPA SHOWN IN PRE-LATCHED, AS SHIPPED, POSITION.
- 3 TPA SHOWN IN CLOSED POSITION.
- 4 SEE TABLE ON SHEET 2 AND 3 FOR SEAL COVER PIN OUT CONFIGURATION.

- 5. PLUG ASSEMBLY MATES WITH TE CONNECTIVITY INTERFACE DRAWING 1924771_INT, POLARIZATION A.
- 6. PLUG ASSEMBLY WILL ACCEPT THE FOLLOWING GET TERMINAL PART NUMBERS: 1393364-1 (GOLD 22AWG; 0.35mm²) 1393365-1 (GOLD 18-20AWG; 0.75mm²-0.5mm²) 1924878-1 (TIN/SILVER 22AWG; 0.35mm²) 1924879-1 (TIN/SILVER 18-20AWG; 0.75mm²-0.5mm²) 1924782-1 (TIN/SILVER 1.0mm²) 1924880-1 (TIN/SILVER 16AWG; 1.5mm²)

- 7 WIRE DRESS ASSEMBLY MUST BE INSTALLED ONTO PLUG ASSEMBLY WITH LEVER IN LOCKED POSITION.
- 8 APPLICATION SPEC'S: 408-10229, 408-10230
- 9. NOTE DELETED.
- 10. FORCE TO SEAT TPA COMPONENT FROM PRE-SET TO LOCKED (FULLY LOADED W/ TERMINALS) TO BE 83N MAX.
- 11. FORCE TO MOVE TPA FROM FULLY LOCKED TO PRE-SET TO BE 115N MAX. FLAT BLADE SCREWDRIVER SUGGESTED FOR REMOVAL OF TPA.

ALL CLOSED	GRAY	A	9-1924939-9
SEE TABLE, SH 2	GRAY	A	6-1924939-4
SEE TABLE, SH 2	GRAY	A	6-1924939-3
SEE TABLE, SH 2	GRAY	A	6-1924939-2
SEE TABLE, SH 2	GRAY	A	6-1924939-1
SEE TABLE, SH 2	GRAY	A	6-1924939-0
SEE TABLE, SH 2	GRAY	A	5-1924939-9
SEE TABLE, SH 2	GRAY	A	5-1924939-8
SEE TABLE, SH 2	GRAY	A	5-1924939-7
SEE TABLE, SH 2	GRAY	A	5-1924939-6
SEE TABLE, SH 2	GRAY	A	5-1924939-5
SEE TABLE, SH 2	GRAY	A	5-1924939-4
SEE TABLE, SH 2	GRAY	A	5-1924939-3
SEE TABLE, SH 2	GRAY	A	5-1924939-2
SEE TABLE, SH 2	GRAY	A	5-1924939-1
SEE TABLE, SH 2	GRAY	A	5-1924939-0
SEE TABLE, SH 2	GRAY	A	4-1924939-9
SEE TABLE, SH 2	GRAY	A	4-1924939-8
SEE TABLE, SH 2	GRAY	A	4-1924939-7
SEE TABLE, SH 2	GRAY	A	4-1924939-6
SEE TABLE, SH 2	GRAY	A	4-1924939-5
SEE TABLE, SH 2	GRAY	A	4-1924939-4
SEE TABLE, SH 2	GRAY	A	4-1924939-3
SEE TABLE, SH 2	GRAY	A	4-1924939-2
SEE TABLE, SH 2	GRAY	A	4-1924939-1
SEE TABLE, SH 2	GRAY	A	4-1924939-0
SEE TABLE, SH 2	GRAY	A	3-1924939-9
SEE TABLE, SH 2	GRAY	A	3-1924939-8
SEE TABLE, SH 2	GRAY	A	3-1924939-7
SEE TABLE, SH 2	GRAY	A	3-1924939-6
SEE TABLE, SH 2	GRAY	A	3-1924939-5
SEE TABLE, SH 2	GRAY	A	3-1924939-4
SEE TABLE, SH 2	GRAY	A	3-1924939-3
SEE TABLE, SH 2	GRAY	A	3-1924939-2
SEE TABLE, SH 2	GRAY	A	3-1924939-1
SEE TABLE, SH 2	GRAY	A	3-1924939-0
SEE TABLE, SH 2	GRAY	A	2-1924939-9
SEE TABLE, SH 2	GRAY	A	2-1924939-8
SEE TABLE, SH 2	GRAY	A	2-1924939-7
SEE TABLE, SH 2	GRAY	A	2-1924939-6
SEE TABLE, SH 2	GRAY	A	2-1924939-5
SEE TABLE, SH 2	GRAY	A	2-1924939-4
SEE TABLE, SH 2	GRAY	A	2-1924939-3
SEE TABLE, SH 2	GRAY	A	2-1924939-2
SEE TABLE, SH 2	GRAY	A	2-1924939-1
SEE TABLE, SH 2	GRAY	A	2-1924939-0
SEE TABLE, SH 2	GRAY	A	1-1924939-9
SEE TABLE, SH 2	GRAY	A	1-1924939-8
SEE TABLE, SH 2	GRAY	A	1-1924939-7
SEE TABLE, SH 2	GRAY	A	1-1924939-6
SEE TABLE, SH 2	GRAY	A	1-1924939-5
SEE TABLE, SH 2	GRAY	A	1-1924939-4
SEE TABLE, SH 2	GRAY	A	1-1924939-3
SEE TABLE, SH 2	GRAY	A	1-1924939-2
SEE TABLE, SH 2	GRAY	A	1-1924939-1
SEE TABLE, SH 2	GRAY	A	1-1924939-0
SEE TABLE, SH 2	GRAY	A	1924939-9
SEE TABLE, SH 2	GRAY	A	1924939-8
SEE TABLE, SH 2	GRAY	A	1924939-7
SEE TABLE, SH 2	GRAY	A	1924939-6
SEE TABLE, SH 2	GRAY	A	1924939-5
SEE TABLE, SH 2	GRAY	A	1924939-4
SEE TABLE, SH 2	GRAY	A	1924939-3
SEE TABLE, SH 2	GRAY	A	1924939-2
SEE TABLE, SH 2	GRAY	A	1924939-1
SEE TABLE, SH 2	GRAY	A	1924939-0
ALL OPEN	GRAY	A	1924939-1
BLOCKED CIRCUITS	TPA COLOR	INDEX REF	PART NUMBER

THIS DRAWING IS A CONTROLLED DOCUMENT. DWN: DJ HARDY 29NOV2007. CHK: AJ VASBINDER 03DEC2007. APVD: AJ VASBINDER 03DEC2007.

DIMENSIONS: mm. TOLERANCES UNLESS OTHERWISE SPECIFIED: 0 PLC ±, 1 PLC ±, 2 PLC ±0.25, 3 PLC ±, 4 PLC ±, ANGLES ±.

MATERIAL: FINISH: WEIGHT: CUSTOMER DRAWING.

NAME: PLUG ASSEMBLY, 96 POSITION, INDEX A - RIGHT EXIT, SEALED, GPEC II.

SIZE: A100779. CAGE CODE: 1924939. DRAWING NO: 1924939. SHEET 1 OF 3. REV C4.

SCALE: 2:1. SHEET 1 OF 3. REV C4.

