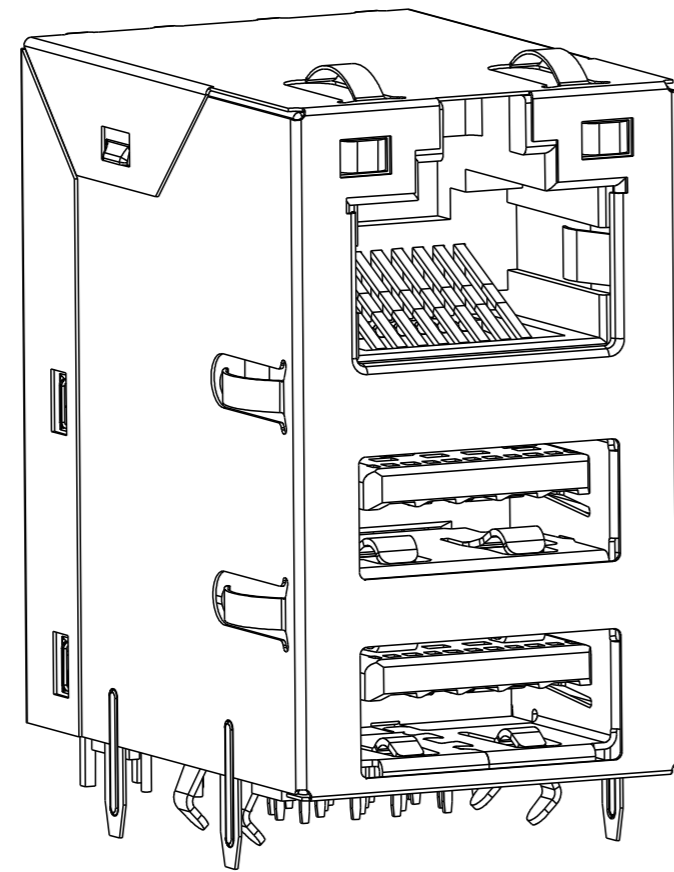


THIS DRAWING AND THE SUBJECT MATTER SHOWN THEREON ARE CONFIDENTIAL AND THE PROPERTY OF BEL/STEWART/TRP CONNECTOR AND SHALL NOT BE REPRODUCED, COPIED, OR USED IN ANY MANNER WITHOUT THE WRITTEN CONSENT OF TRP CONNECTOR.

PRODUCT MAY BE PROTECTED BY ONE OR MORE OF THE FOLLOWING US PATENTS:
 5736910 5939955 6425781 6428361 6554638 6840817 7123117
 7429195 7717749 7808751 6217391 6149050 7924130

REVISIONS				
P	LTR	DESCRIPTION	DATE	APVD
A		EC-1710010	26MAR2020	TRY TY

HALOGEN FREE



- MATERIALS**
USB MATERIALS:
 HOUSING: THERMOPLASTIC, BLUE, FLAMMABILITY RATING UL 94V-0
 USB 3.0 CONTACT TYPE 1: PHOSPHOR BRONZE, WITH 1.27um MIN OVERALL NICKEL UNDERPLATE AND SELECTIVE 0.762um MIN GOLD PLATING AT MATING INTERFACE
 USB 3.0 CONTACT TYPE 2: COPPER BASE ALLOY, WITH 1.27um MIN OVERALL NICKEL UNDERPLATE AND SELECTIVE 0.762um MIN GOLD PLATING AT MATING INTERFACE
RJ45 MATERIALS:
 HOUSING: THERMOPLASTIC, BLACK, FLAMMABILITY RATING UL 94V-0
 SHIELD: STAINLESS STEEL, PREPLATED WITH MIN 0.76um SEMI-BRIGHT NICKEL, POST DIPPED WITH 2.54um MIN SOLDER ON SOLDER TAILS
 CONTACT: PHOSPHOR BRONZE, WITH 1.27um MIN OVERALL NICKEL UNDERPLATE AND SELECTIVE 1.27um MIN GOLD PLATING AT MATING INTERFACE
LED MATERIALS:
 DIFFUSED EPOXY LENS, CARBON STEEL LEAD FRAME LEADS, PREPLATED WITH 2.03um MIN SILVER OVER 1.02 MIN NICKEL OVER 1.02um MIN COPPER UNDERPLATE, POST PLATED WITH 2.54um MIN MATTE TIN AND/OR 2.54um MIN SAC SOLDER DIP OR PURE TIN SOLDER DIP.

- MAGNETICS**
 -APPLICATION : 10/100/1000 BASE-T
 -IMPEDANCE: 100 OHMS
 -TURNS RATIO(CHIP:CABLE): 1:1 ALL FOUR PAIRS
 -OPEN CIRCUIT INDUCTANCE(OCL): 350uH MIN @100kHz, 0.1 VRMS, 8mADC BIAS FROM 0°C TO 70°C, ALL FOUR PAIRS
 -ALL FOUR PAIRS BI-DIRECTIONAL
 -PERFORMANCE @ 25°C:
 INSERTION LOSS (IL): 1.1 dB MAX FROM 0.5MHz TO 100MHz
 RETURN LOSS (RL): 18dB MIN FROM 0.5MHz TO 40MHz
 12-20LOG(f/80)dB MIN FROM 40.1 MHz TO 100MHz
 CROSSTALK ATTENUATION: 35 dB MIN FROM 0.5 MHz TO 40 MHz
 33-20LOG(f/50) dB MIN FROM 40.1 MHz TO 100 MHz
 COMMON MODE REJECTION RATIO (CMRR): 30dB MIN FROM 0.5MHz TO 100MHz
 -ISOLATION VOLTAGE: 2250VDC (MAX) FOR 60 SECONDS WITH A RISE TIME OF 500V/SEC.

3 THE MAGNETIC CIRCUIT ON ALL FOUR CHANNELS IS SYMMETRICAL AND SUPPORTS AUTO-MDIX OPERATION.

4. OPERATING TEMPERATURE: 0°C - 70°C.

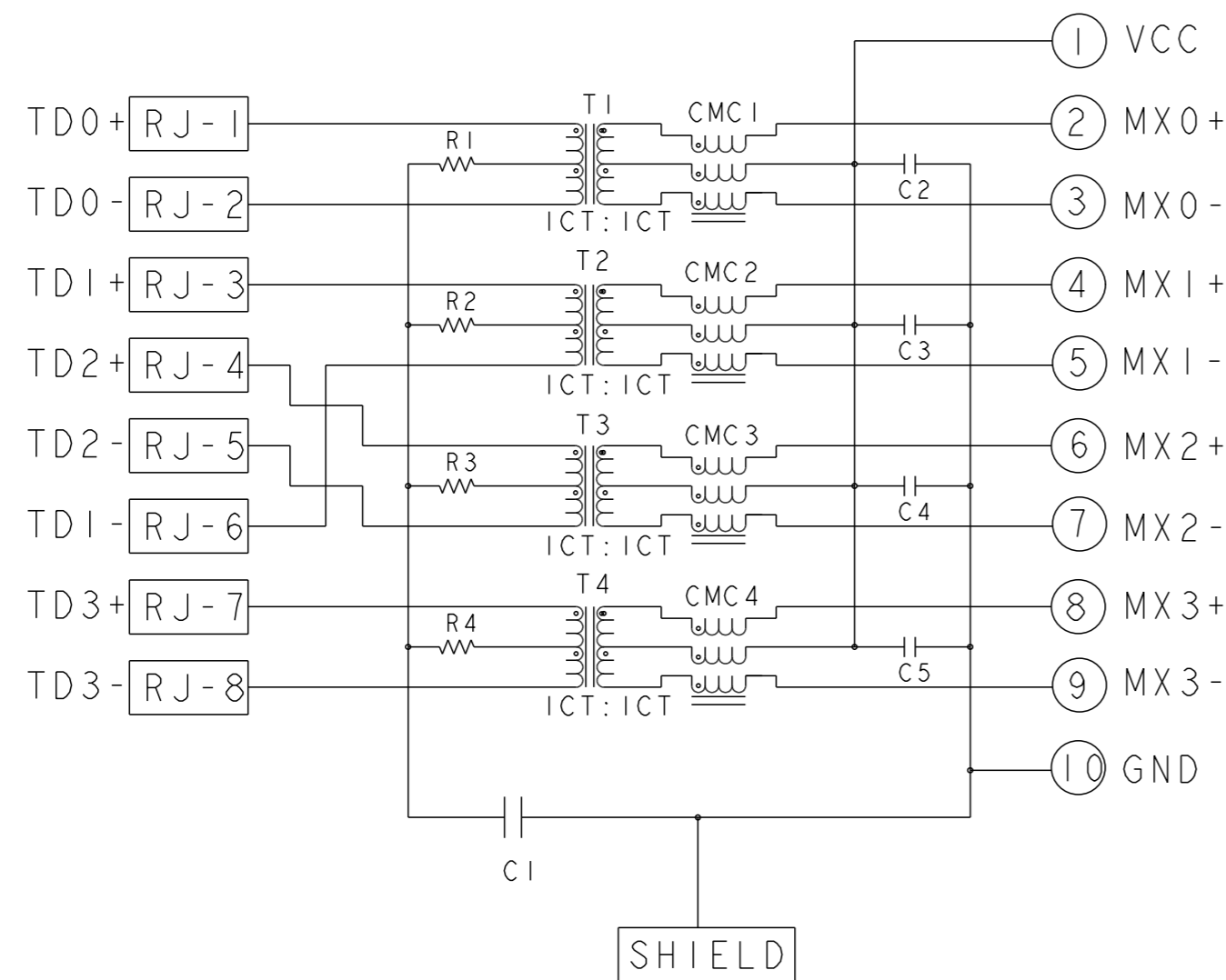
5 DATUM Y AND BASIC DIMENSION ESTABLISHED BY CUSTOMER.

6. RJ45 CAVITY CONFORMS TO FCC RULES AND REGULATION PART 68 SUBPART F.

7 TRP CONNECTOR LOGO, PART NUMBER, DATE CODE, COUNTRY OF ORIGIN, AGENCY APPROVAL MARKING IN APPROPRIATE LOCATION SHOWN.
 DATE CODE: YYWW WHERE "YY" IS YEAR, "WW" IS WORK WEEK, "D" IS DAY OF WEEK, WITH SUNDAY= 1

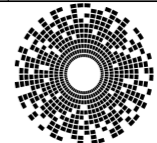
- LED IS DRIVEN WITH CONSTANT CURRENT AT APPROX 20mA**
 LED COLOR: DOMINANT WAVELENGTH (λD)
 GREEN 568 nm TYP at IF=20mA;
 FORWARD VOLTAGE (VF):
 GREEN 2.2V TYP at IF=20mA;
- THE PARTS ARE RECOMMENDED FOR WAVE SOLDERING PROCESS, PEAK TEMPERATURE 260°C MAX, 10 SECONDS MAX.
- LOW HALOGEN SPEC (EXCEPT LIGHT PIPE):**
 CHLORINE (Cl) 900PPM MAX
 BROMINE (Br) 900PPM MAX
 TOTAL BROMINE AND CHLORINE (Br+Cl) 1500PPM MAX
 LIGHT PIPE COMPLY WITH LOW HALOGEN SPECIFICATION "DIN VDE 0472"
 CHLORINE (Cl) 1000PPM MAX
 BROMINE (Br) 1000PPM MAX
 TOTAL BROMINE AND CHLORINE (Br+Cl) 2000PPM MAX

URG154G GIGABIT CIRCUIT

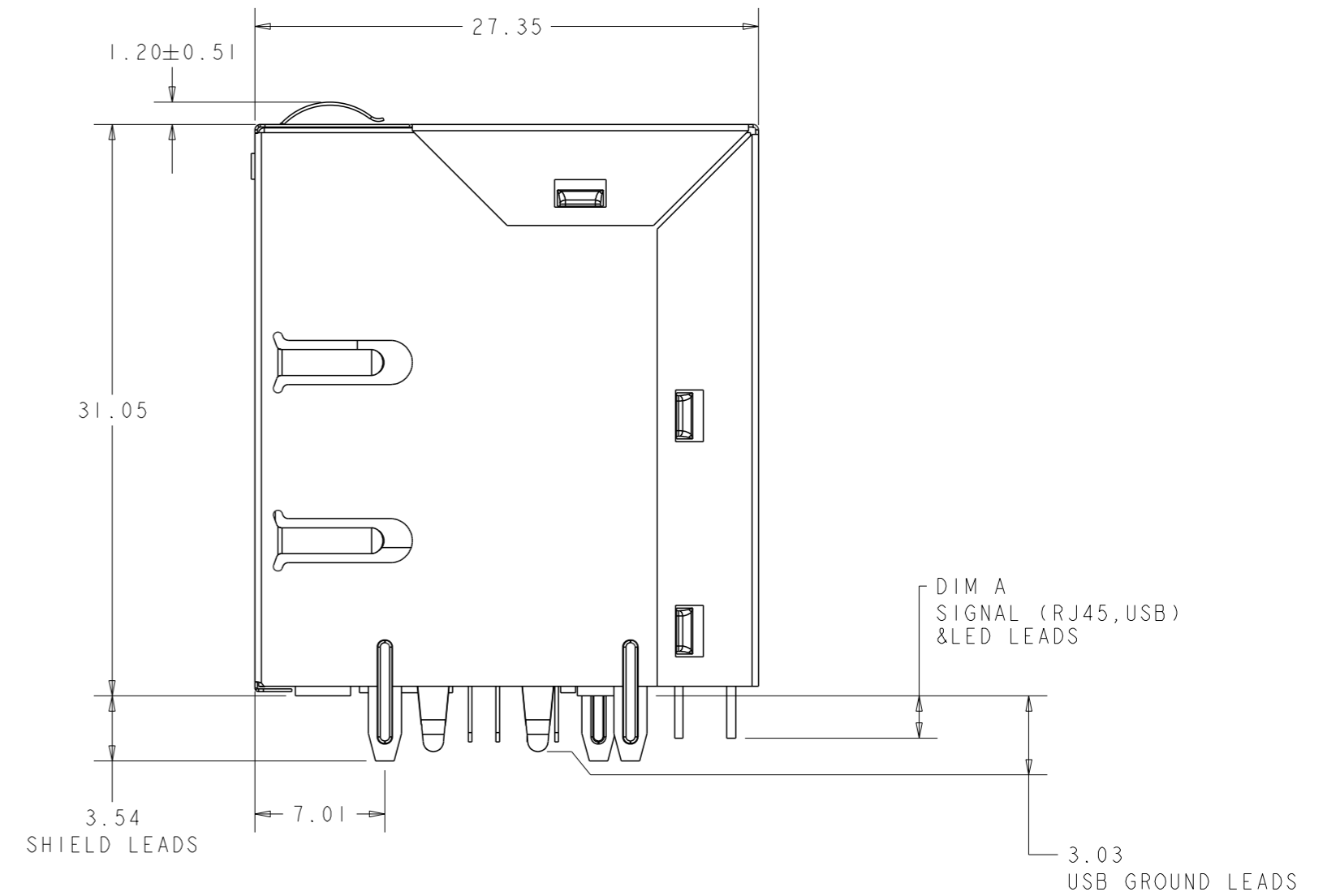
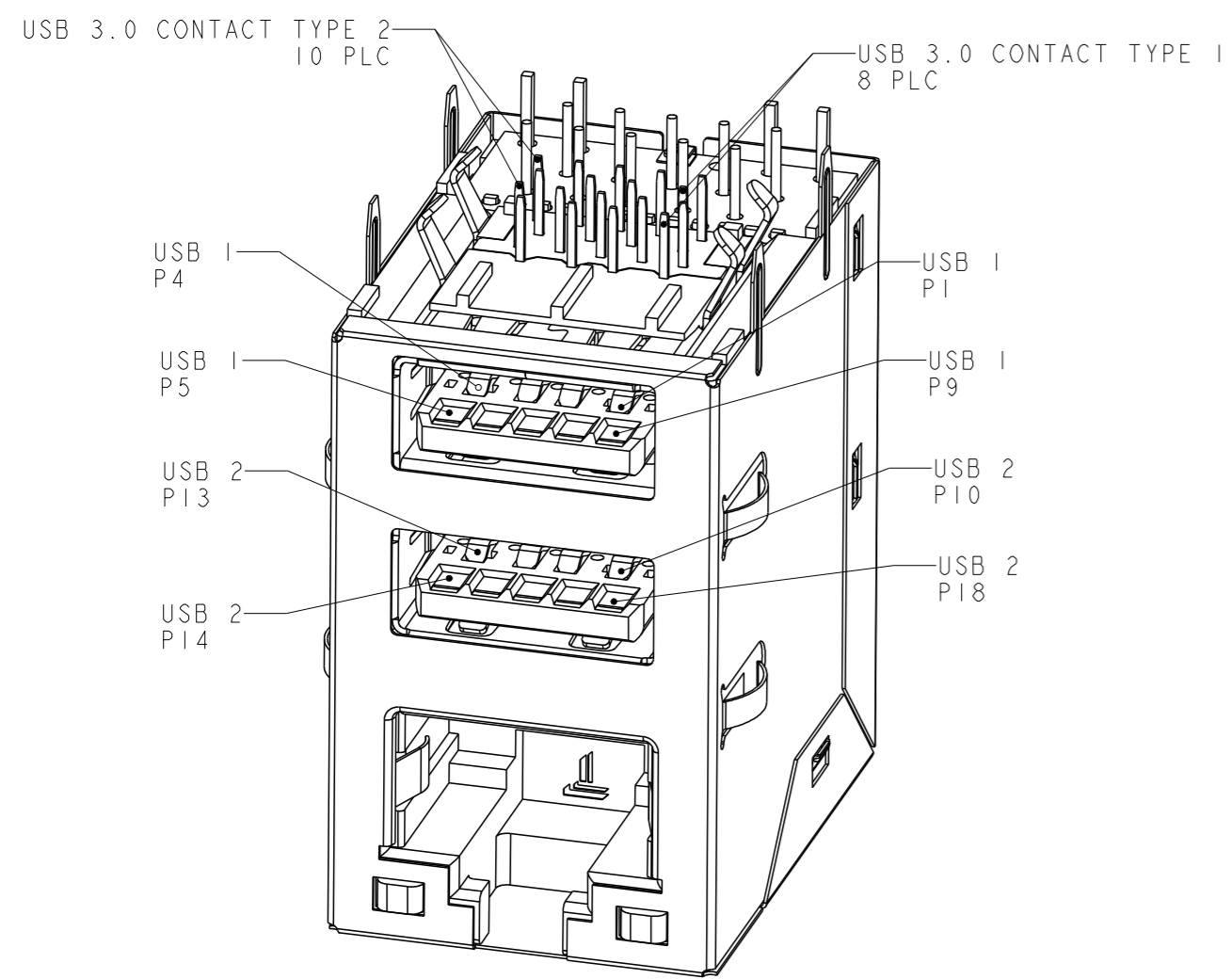
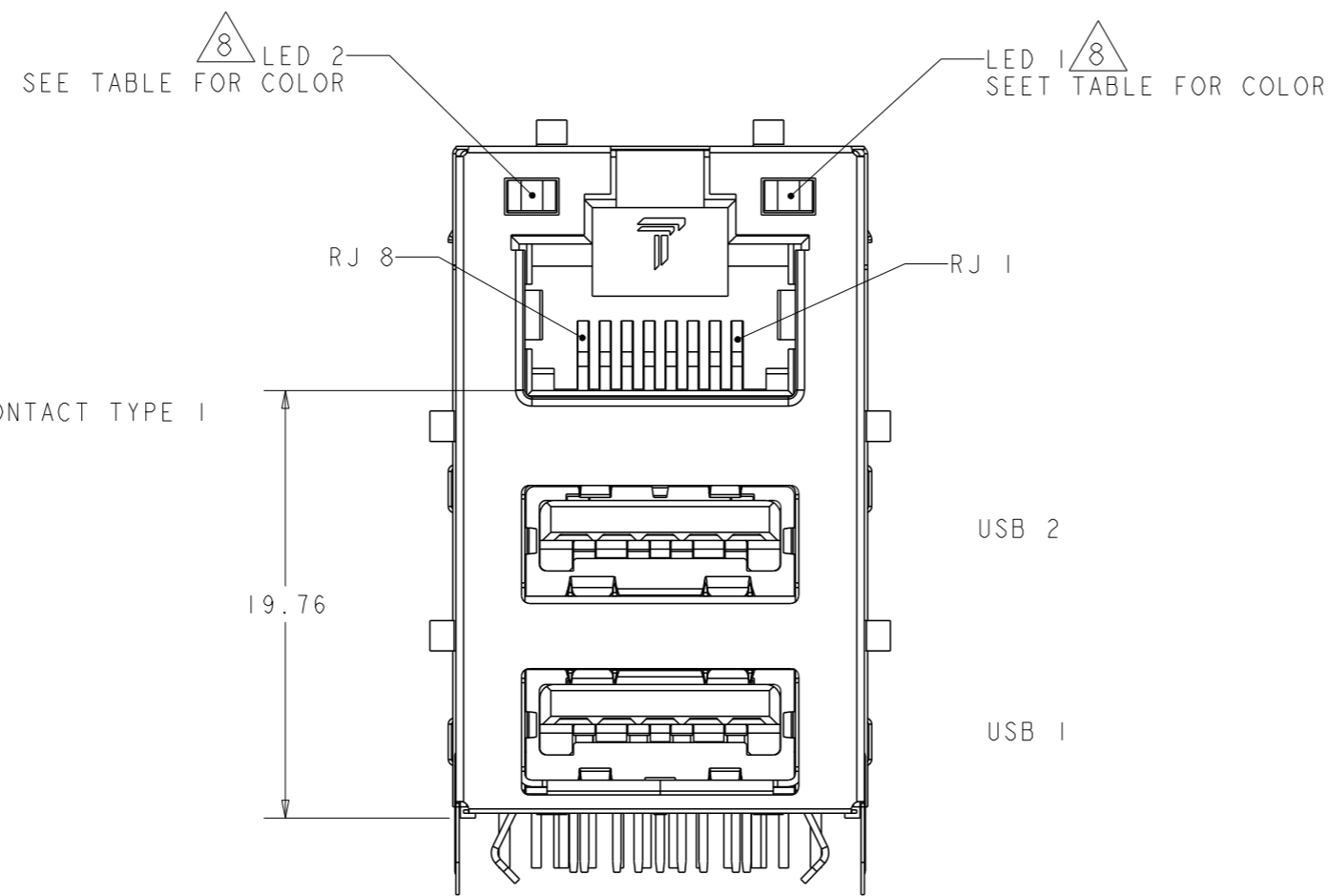
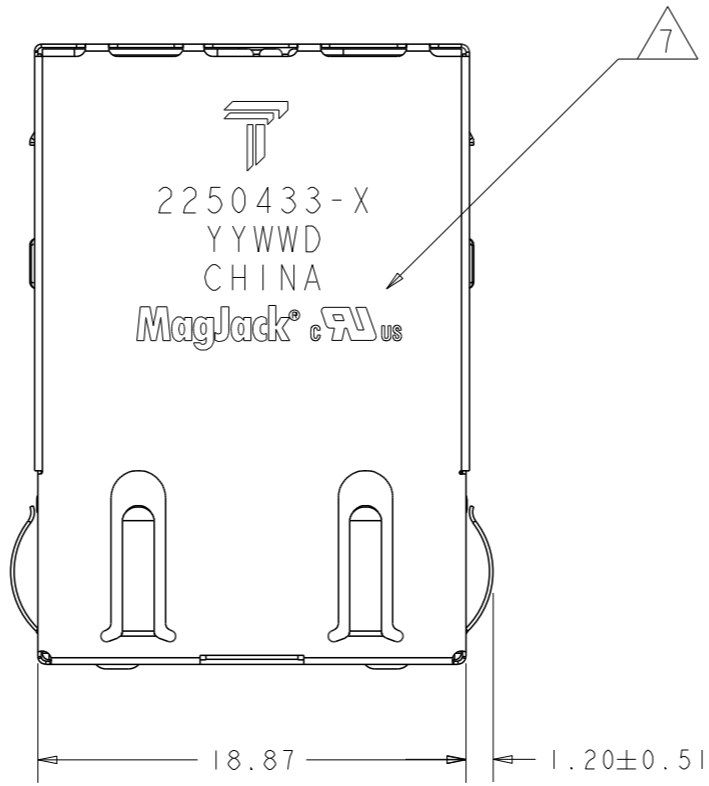


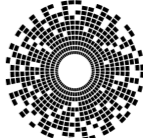
C1: 1000pF, 2kV, CAPACITOR;
 C2-C5: 100nF, 50V, CAPACITORS;
 R1-R4: 750hms, 1/16W, RESISTORS

3.25	GREEN	GREEN	2250433-1
DIM A	LED2	LED1	PART NUMBER

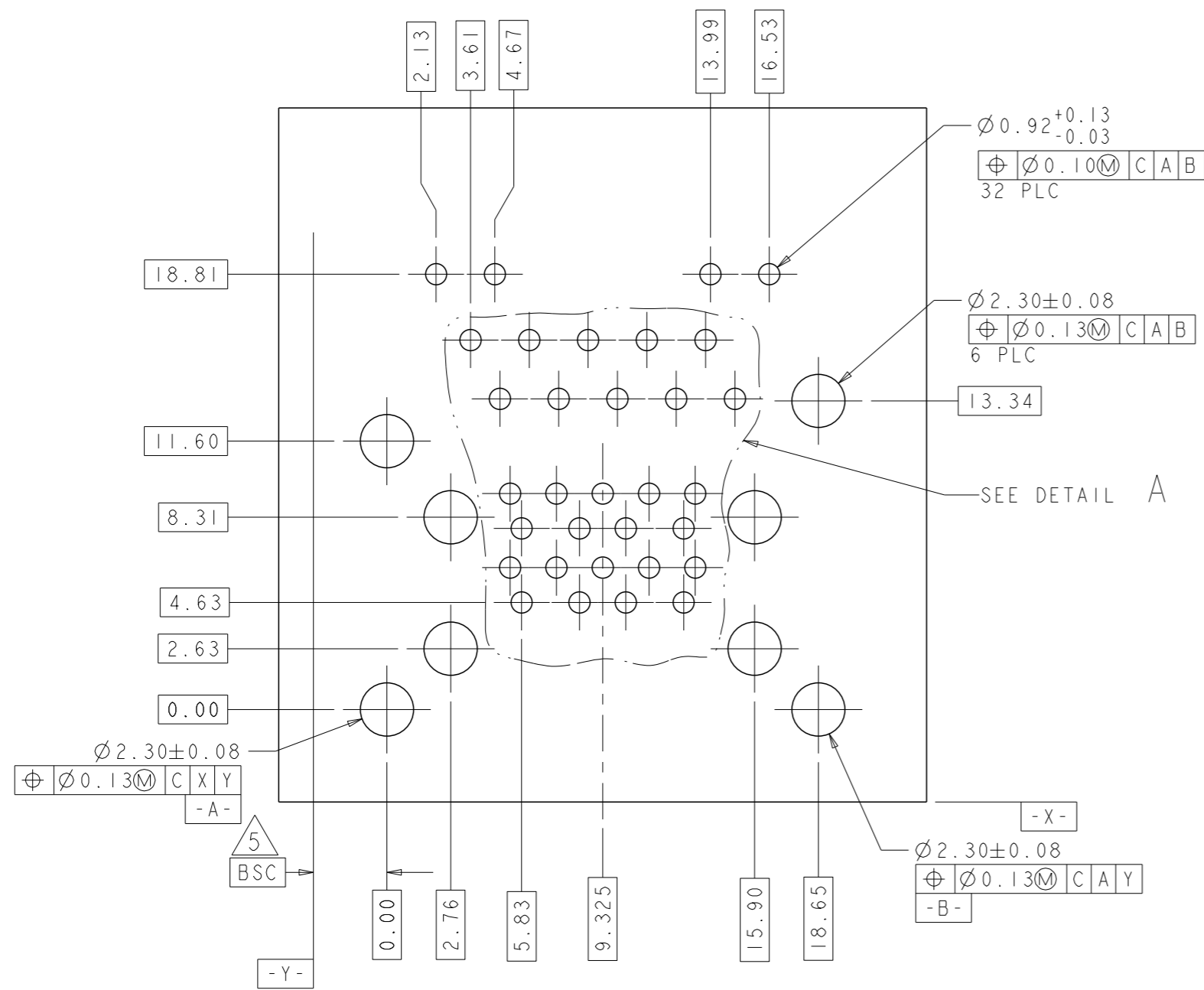
THIS DRAWING IS A CONTROLLED DOCUMENT, AND COMPLIANT TO ASME Y14.5M		DWN JAMISON CHEN 14 JUL 2016	 trp CONNECTOR a bel group DONGGUAN CHINA	
DIMENSIONS: mm		CHK TOWER YU/YI LIU 14 JUL 2016		
TOLERANCES UNLESS OTHERWISE SPECIFIED:		APVD TONY YUAN 14 JUL 2016	DESC MAGJACK OVER DUAL USB3.0 URG154G CIRCUIT, GIGABIT, W/ LEDS	
0 PLC ± 1 PLC ± 2 PLC ±0.25 3 PLC ± 4 PLC ± ANGLES ± APPLICATION SPEC		MODEL NAME MAGJACK OVER USB NON-PoE		RESTRICTED TO
PRODUCT SPEC 108-104004		SIZE A2		DRAWING NO C-2250433
CUSTOMER DRAWING			SCALE NTS	SHEET 1 OF 4 REV A

HALOGEN FREE

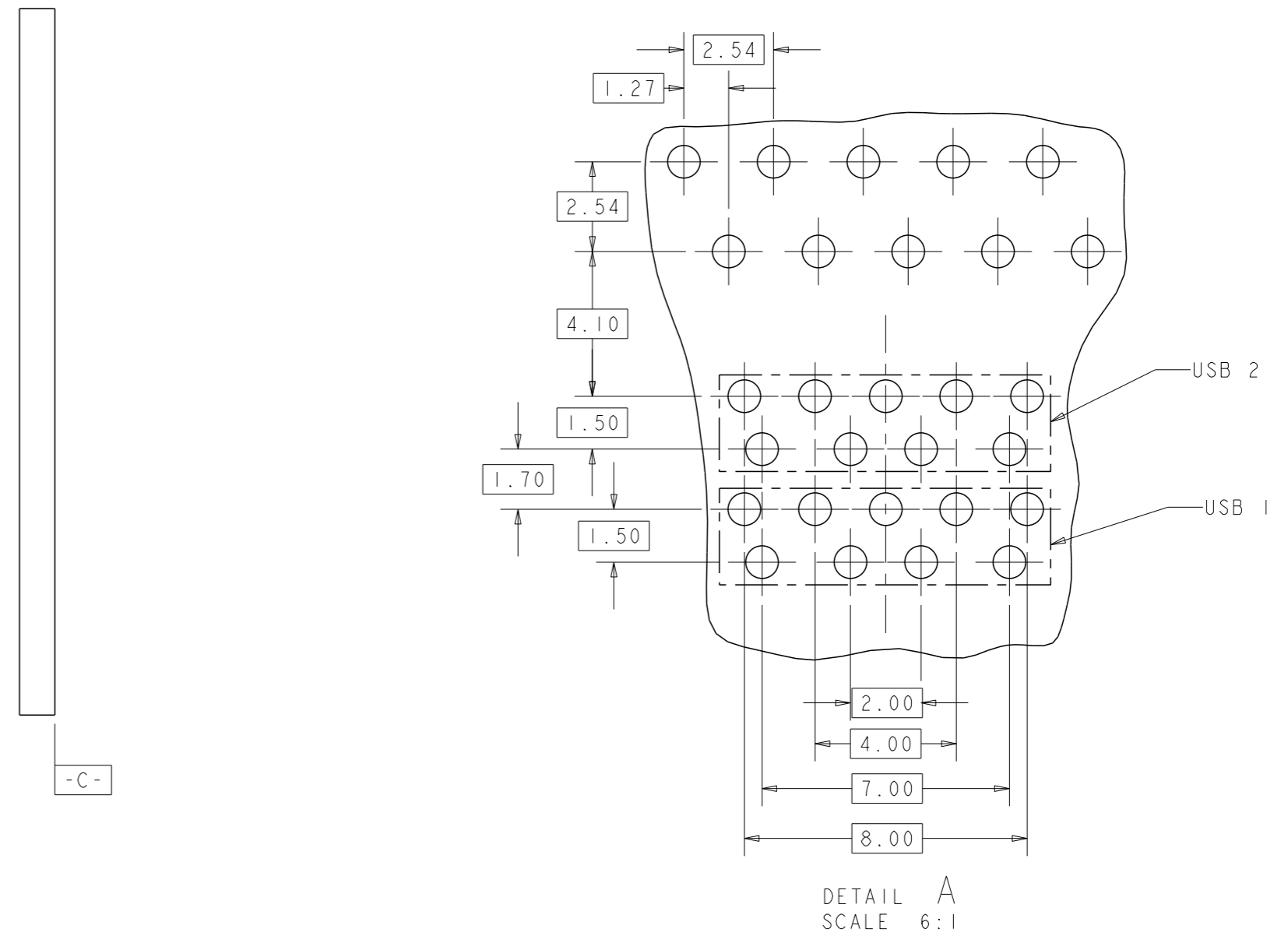


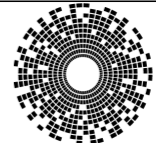
THIS DRAWING IS A CONTROLLED DOCUMENT. AND COMPLIANT TO ASME Y14.5M		DWN JAMISON CHEN 14 JUL 2016	 trp CONNECTOR a bel group DONGGUAN CHINA
DIMENSIONS: mm		CHK TOWER YU/YI LIU 14 JUL 2016	
TOLERANCES UNLESS OTHERWISE SPECIFIED:		APVD TONY YUAN 14 JUL 2016	DESC MAGJACK OVER DUAL USB3.0 URG154G CIRCUIT, GIGABIT, W/ LEDS
0 PLC ± 1 PLC ± 2 PLC ±0.25 3 PLC ± 4 PLC ± ANGLES ± APPLICATION SPEC		MODEL NAME MAGJACK OVER USB NON-POE	SIZE A2
PRODUCT SPEC 108-104004	-	CAGE CODE C-2250433	DRAWING NO C-2250433
CUSTOMER DRAWING		SCALE NTS	RESTRICTED TO SHEET 2 OF 4 REV A

HALOGEN FREE

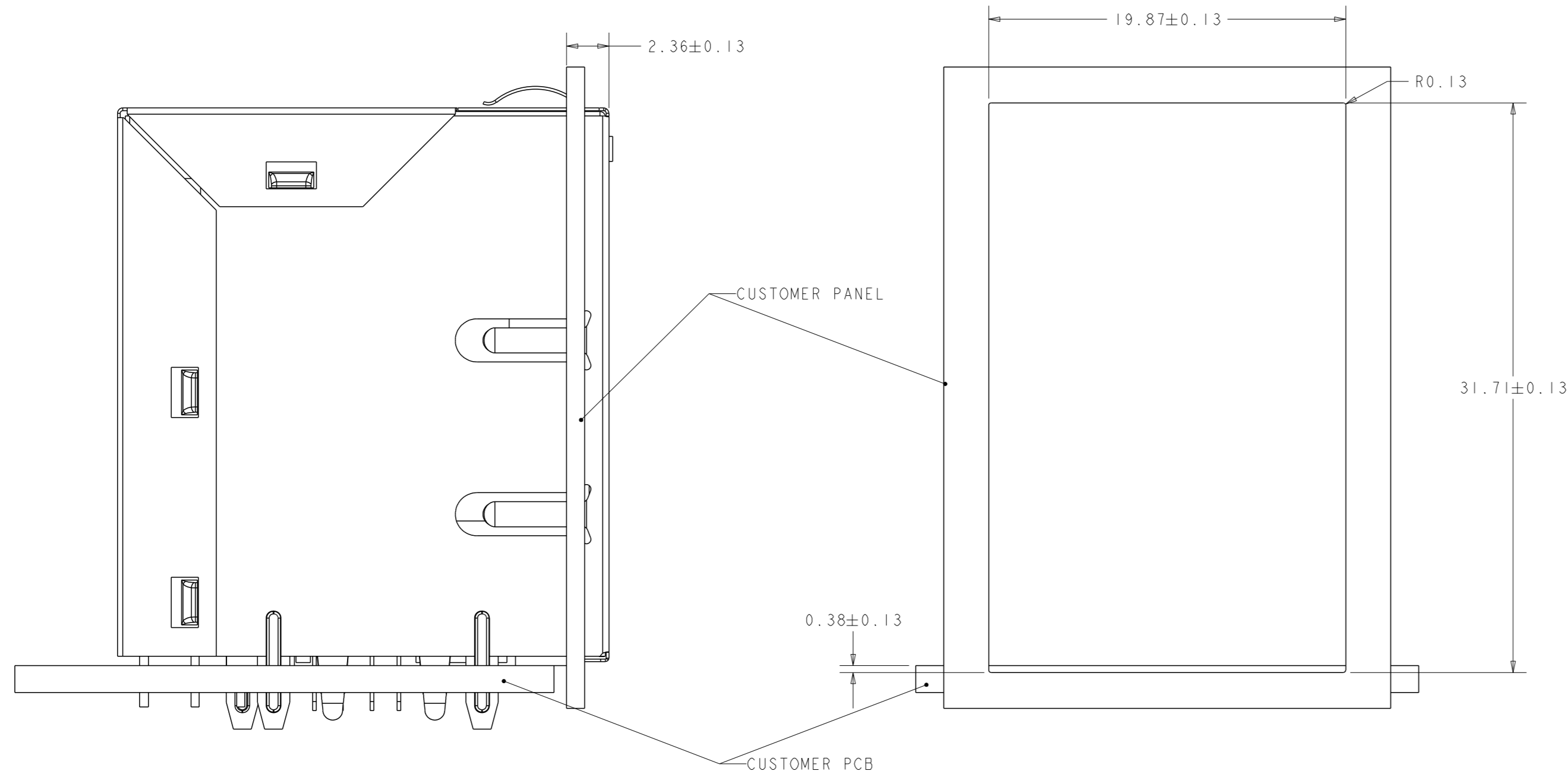


**RECOMMENDED PC BOARD LAYOUT
(VIEW FROM COMPONENT SIDE)**



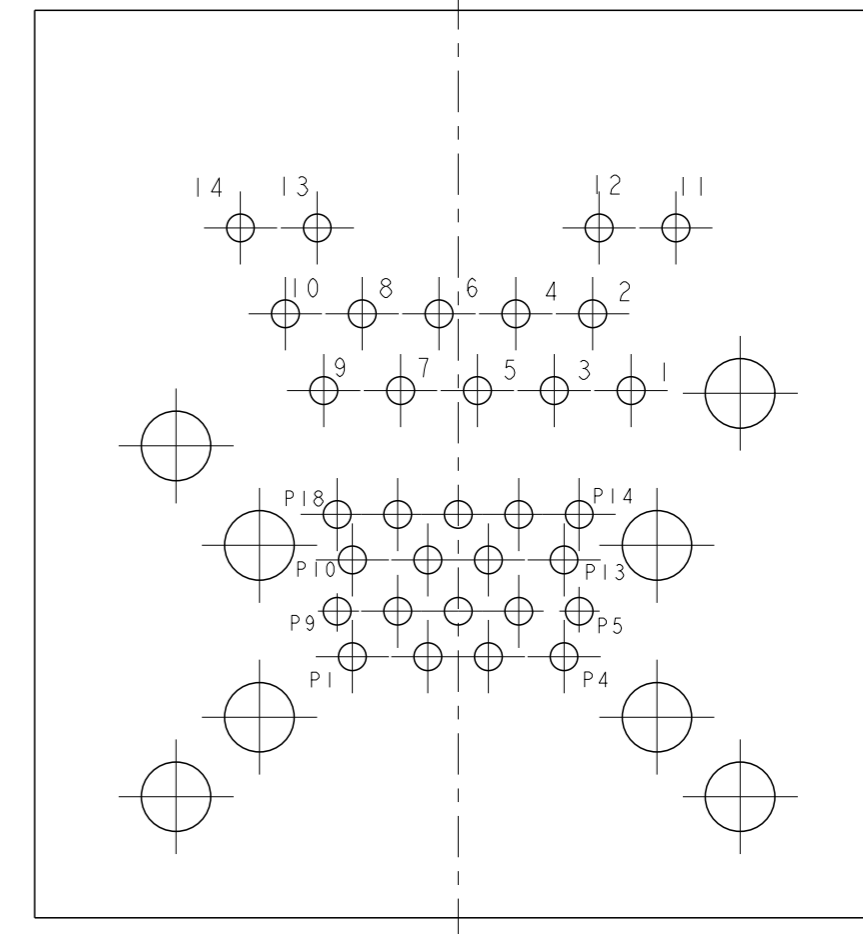
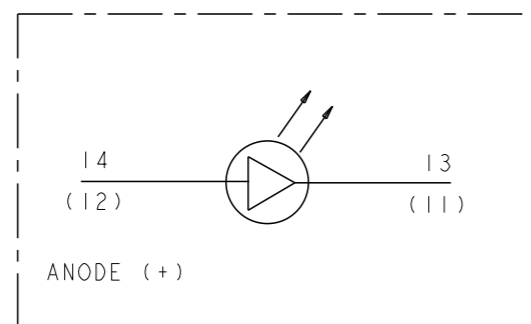
THIS DRAWING IS A CONTROLLED DOCUMENT. AND COMPLIANT TO ASME Y14.5M		DWN JAMISON CHEN 14 JUL 2016	 trp CONNECTOR a bel group DONGGUAN CHINA	
DIMENSIONS: mm		CHK TOWER YU/YI LIU 14 JUL 2016		
TOLERANCES UNLESS OTHERWISE SPECIFIED:		APVD TONY YUAN 14 JUL 2016	DESC MAGJACK OVER DUAL USB3.0 URG154G CIRCUIT, GIGABIT, W/ LEDS	
0 PLC ± 1 PLC ± 2 PLC ±0.25 3 PLC ± 4 PLC ± ANGLES ± APPLICATION SPEC		MODEL NAME MAGJACK OVER USB NON-POE		RESTRICTED TO -
PRODUCT SPEC 108-104004		SIZE A2		DRAWING NO C-2250433
CUSTOMER DRAWING			SCALE NTS	SHEET 3 OF 4 REV A

HALOGEN FREE




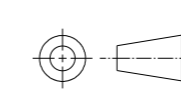
SUGGEST CUSTOMER CUTOUT DIMENSIONS

SINGLE COLOR LED



USB 3.0 STANDARD-A CONNECTOR PIN ASSIGNMENTS

PIN NUMBER	SIGNAL NAME	DESCRIPTION
P1 & P10	VBUS	POWER
P2 & P11	D-	USB 2.0 DIFFERENTIAL PAIR
P3 & P12	D+	
P4 & P13	GND	
P5 & P14	STDA_SSRX-	SUPERSPEED RECEIVER DIFFERENTIAL PAIR
P6 & P15	STDA_SSRX+	
P7 & P16	GND_DRAIN	GROUND FOR SIGNAL RETURN
P8 & P17	STDA_SSTX-	SUPERSPEED TRANSMITTER DIFFERENTIAL PAIR
P9 & P18	STDA_SSTX+	

THIS DRAWING IS A CONTROLLED DOCUMENT, AND COMPLIANT TO ASME Y14.5M		DWN JAMISON CHEN 14 JUL 2016	 trp CONNECTOR a bel group DONGGUAN CHINA
DIMENSIONS: mm		CHK TOWER YU/YI LIU 14 JUL 2016	
		APVD TONY YUAN 14 JUL 2016	DESC MAGJACK OVER DUAL USB3.0 URG154G CIRCUIT, GIGABIT, W/ LEDS
TOLERANCES UNLESS OTHERWISE SPECIFIED: 0 PLC ± 1 PLC ± 2 PLC ±0.25 3 PLC ± 4 PLC ± ANGLES ± APPLICATION SPEC		MODEL NAME MAGJACK OVER USB NON-POE	SIZE A2
PRODUCT SPEC 108-104004	-	DRAWING NO C-2250433	
CUSTOMER DRAWING		SCALE NTS	SHEET 4 OF 4 REV A