

THIS DRAWING IS UNPUBLISHED.

RELEASED FOR PUBLICATION

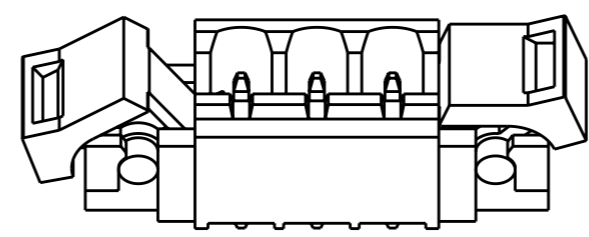
20

LOC FT DIST 0

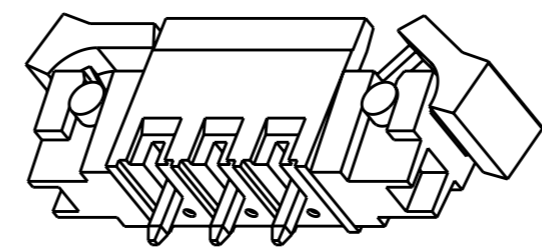
REVISIONS

© COPYRIGHT 20 Tyco Electronics AMP GmbH ALL RIGHTS RESERVED.

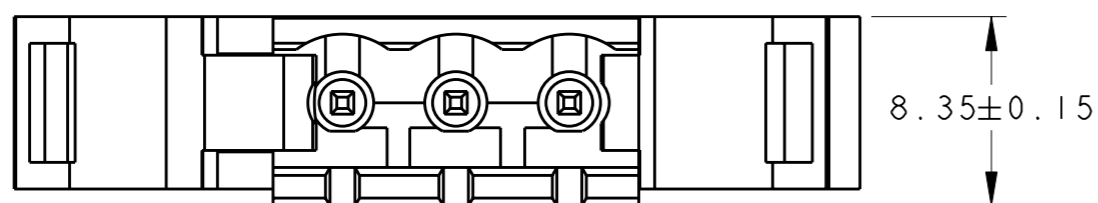
P	LTR	DESCRIPTION	DATE	DWN	APVD
	B1	REVISED PER ECO-12-007711	26APR2012	KH	MS



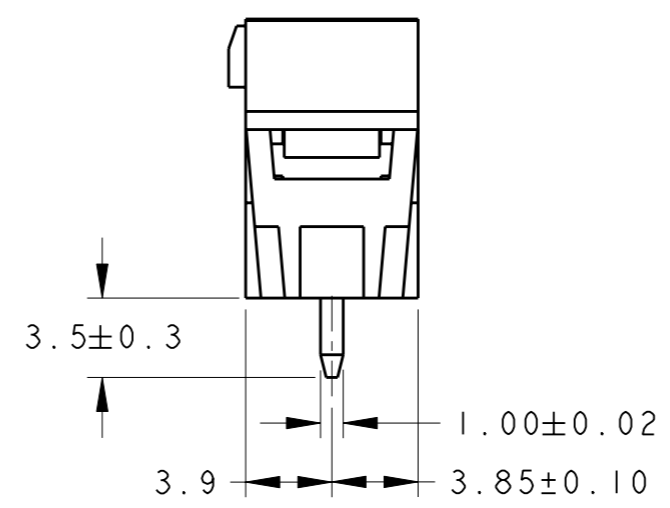
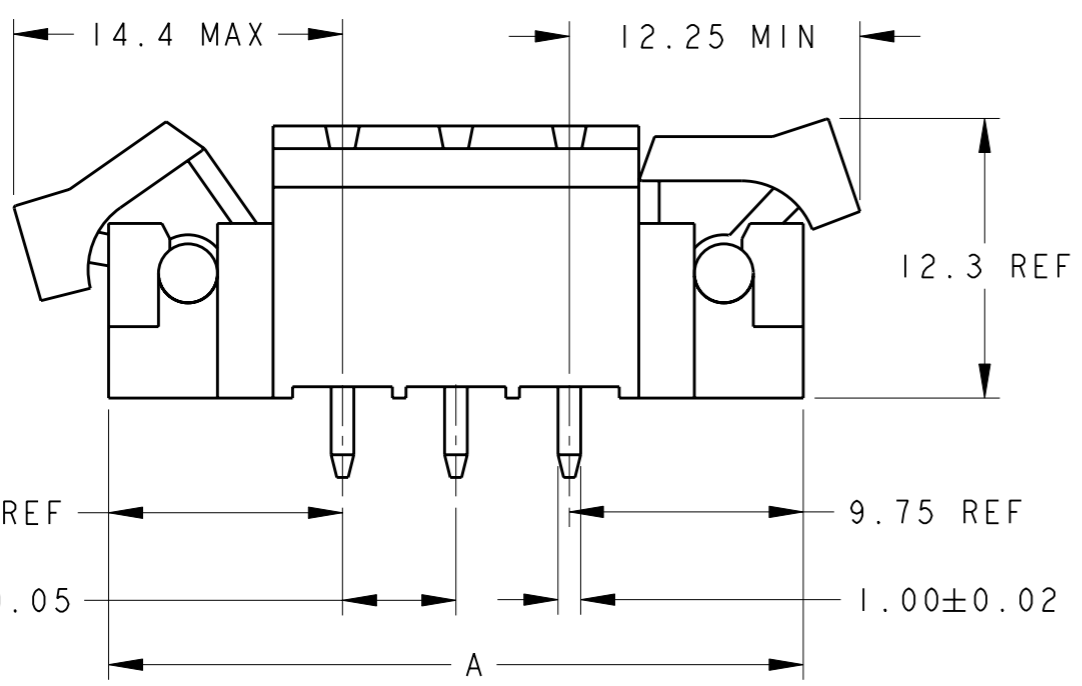
284014-3 AS SHOWN



- 1 MATERIALS AND FINISH
HOUSING: PA 6-6, UL 94-V0, COLOR GREEN.
POST: COPPER ALLOY, TIN PLATED.
- 2. SUITABLE FOR 1,6-2,4mm PC BOARD THICKNESS.
- 3 NOT CUMULATIVE TOLERANCE.
- 4. IMQ CERTIFICATE WITH SURVEILLANCE IN CONFORMITY WITH IEC 998-1/998-2-1.

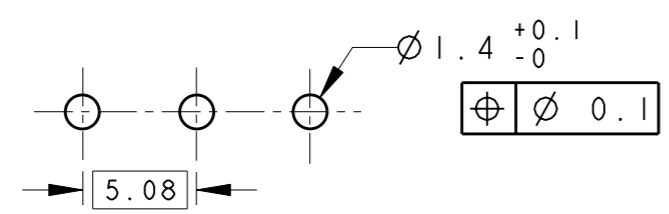


121.10	21	2-284014-1
116.02	20	2-284014-0
110.94	19	1-284014-9
105.86	18	1-284014-8
100.78	17	1-284014-7
95.70	16	1-284014-6
90.62	15	1-284014-5
85.54	14	1-284014-4
80.46	13	1-284014-3
75.38	12	1-284014-2
70.30	11	1-284014-1
65.22	10	1-284014-0
60.14	9	284014-9
55.06	8	284014-8
49.98	7	284014-7
44.90	6	284014-6
39.82	5	284014-5
34.74	4	284014-4
29.66	3	284014-3
24.58	2	284014-2
DIM. A	N° OF POS.	PART NUMBER



3

RECOMMENDED PC BOARD LAYOUT



THIS DRAWING IS A CONTROLLED DOCUMENT.		DWN E. ZANOLINI 02JAN2002	TE Connectivity	
DIMENSIONS: mm		CHK E. ZANOLINI 02JAN2002		
TOLERANCES UNLESS OTHERWISE SPECIFIED:		APVD D. BIEVENOUR 02JAN2002	NAME	
0 PLC ±.3		PRODUCT SPEC 108-20166	TERMINAL BLOCK HEADER ASSEMBLY	
1 PLC ±.3		APPLICATION SPEC 114-20079	180 DEGREE WITH EJECTORS	
2 PLC ±.25		WEIGHT -	SIZE A3	CAGE CODE 00779
3 PLC ±.		CUSTOMER DRAWING	DRAWING NO C-284014	RESTRICTED TO -
4 PLC ±.			SCALE 3:1	SHEET 1 OF 1
ANGLES ±2				
FINISH -				