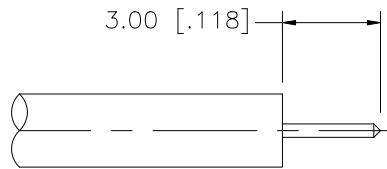
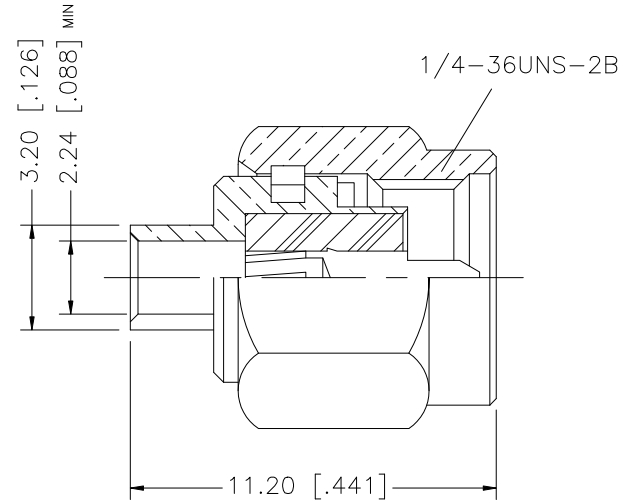
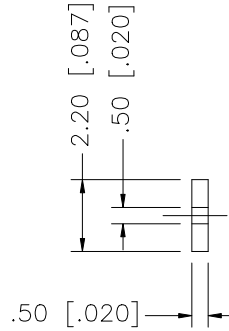


REV.	DATE	DESCRIPTION
NC	06/12/02	INITIAL RELEASE
A	02/25/08	UPDATE DRAWING FORMAT, ADD BODY X-SECTION



RECOMMENDED  
CABLE STRIPPING DIM'S



				UNLESS OTHERWISE SPECIFIED DIMENSIONS ARE IN MILLIMETERS. DIMENSIONS IN [ ] ARE IN INCHES AND FOR CUSTOMER REFERENCE ONLY.	APPROVALS	DATE	<b>Amphenol Connex</b>			
8				UNLESS OTHERWISE SPECIFIED TOLERANCES FOR MILLIMETERS ARE: 0.5 - 8mm ± 0.20mm 8 - 30mm ± 0.40mm 30 - 120mm ± 0.50mm  UNLESS OTHERWISE SPECIFIED TOLERANCES FOR INCHES ARE: .020 - .315 = ± 0.007" .315 - 1.180 = ± 0.015" 1.180 - 4.724 = ± 0.020"	DRAWN	G.R.S.				02/25/08
7					CHECKED			PART NO. <b>132248</b>		
6					ISSUED					
5					SHEET	1 OF 1		REV. A	SIZE A	SCALE NA
4	CONTACT PIN	BER. COPPER	GOLD		1	CAD FILE C:/132/132248.DWG				
3	INSULATOR	TEFLON	NATURAL	1	DO NOT SCALE DRAWING					
2	BODY	BRASS	GOLD	1						
1	COUPLING NUT	PASSIVATED S.S.	GOLD	1						
DESCRIPTION				MATERIAL	FINISH	QTY				