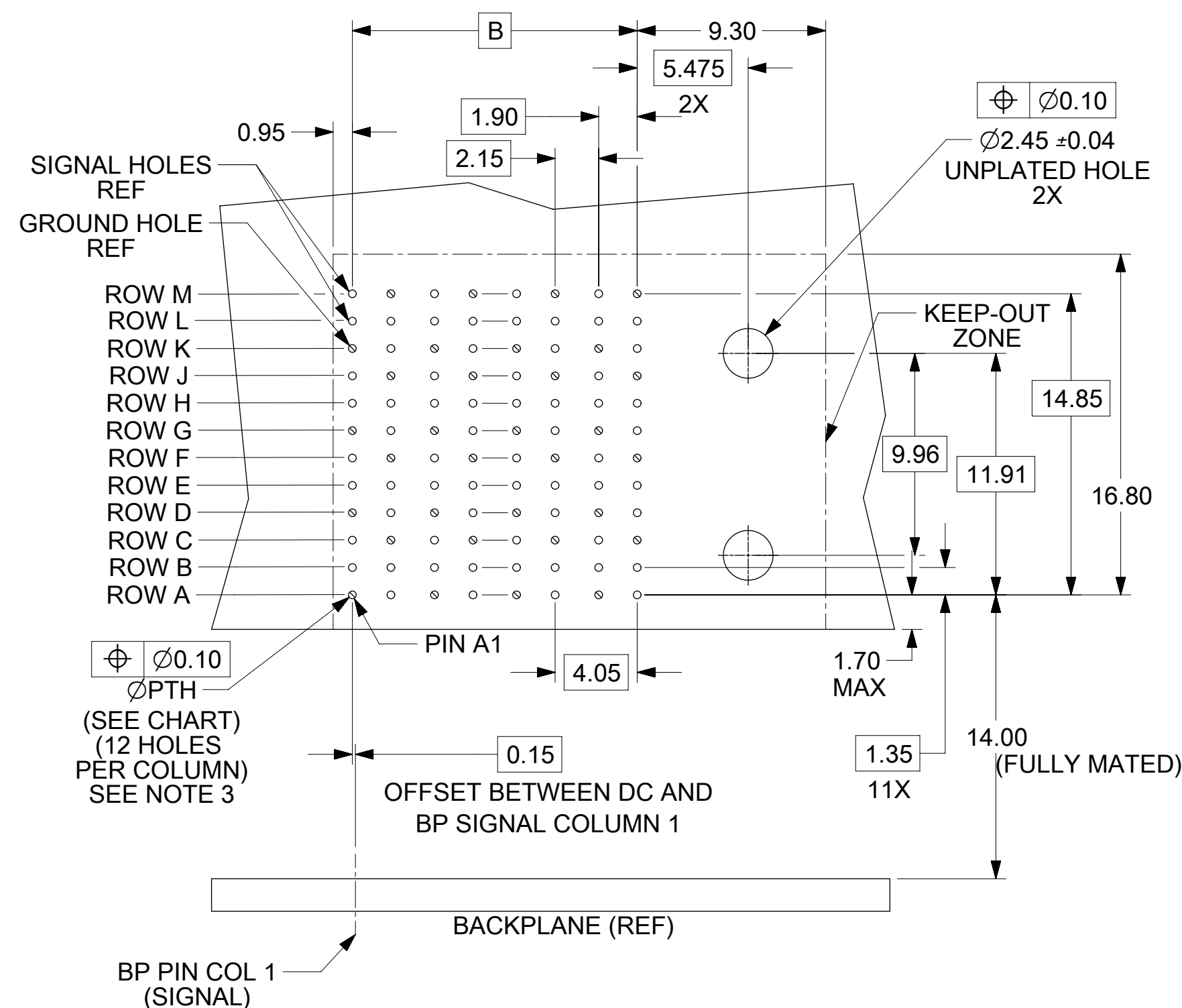
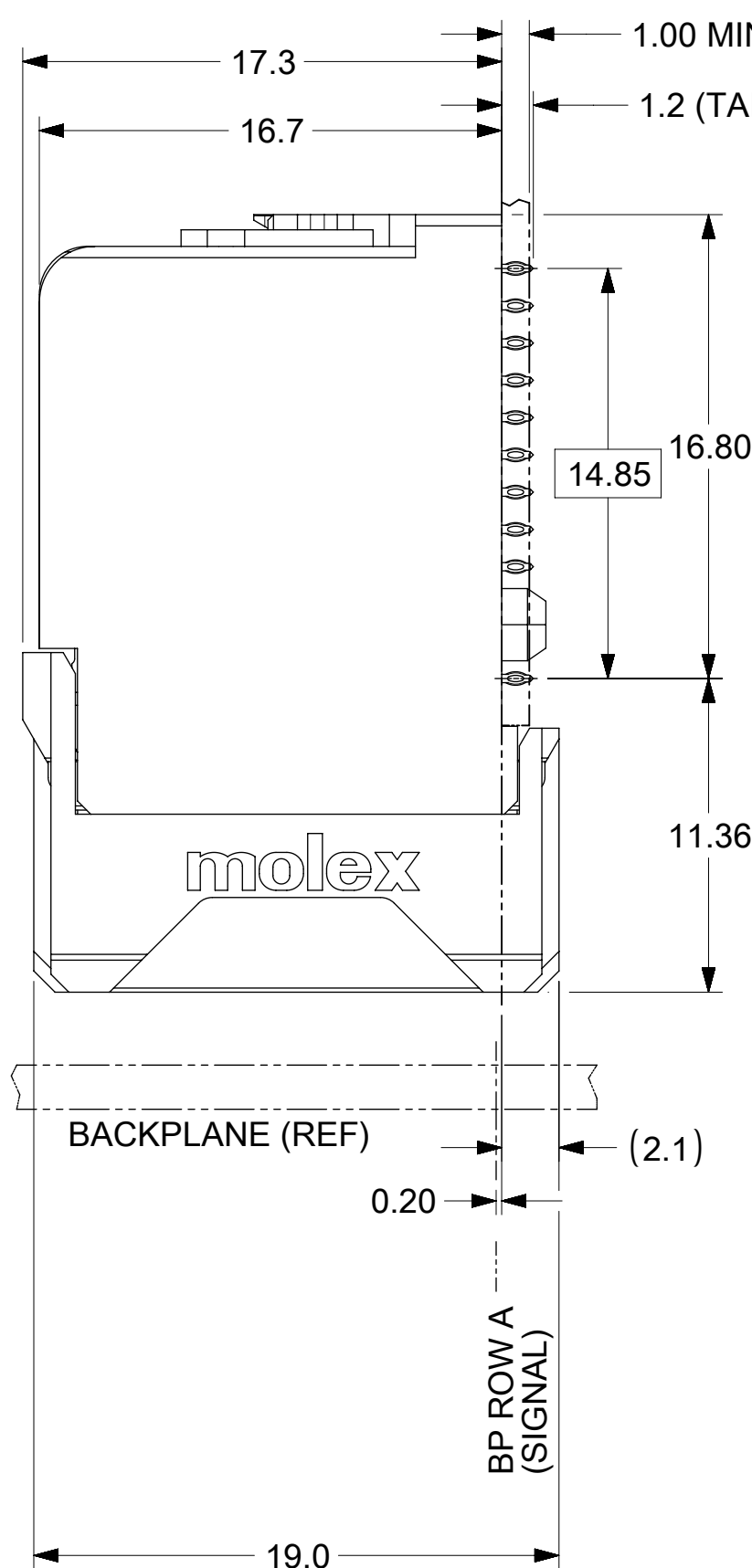
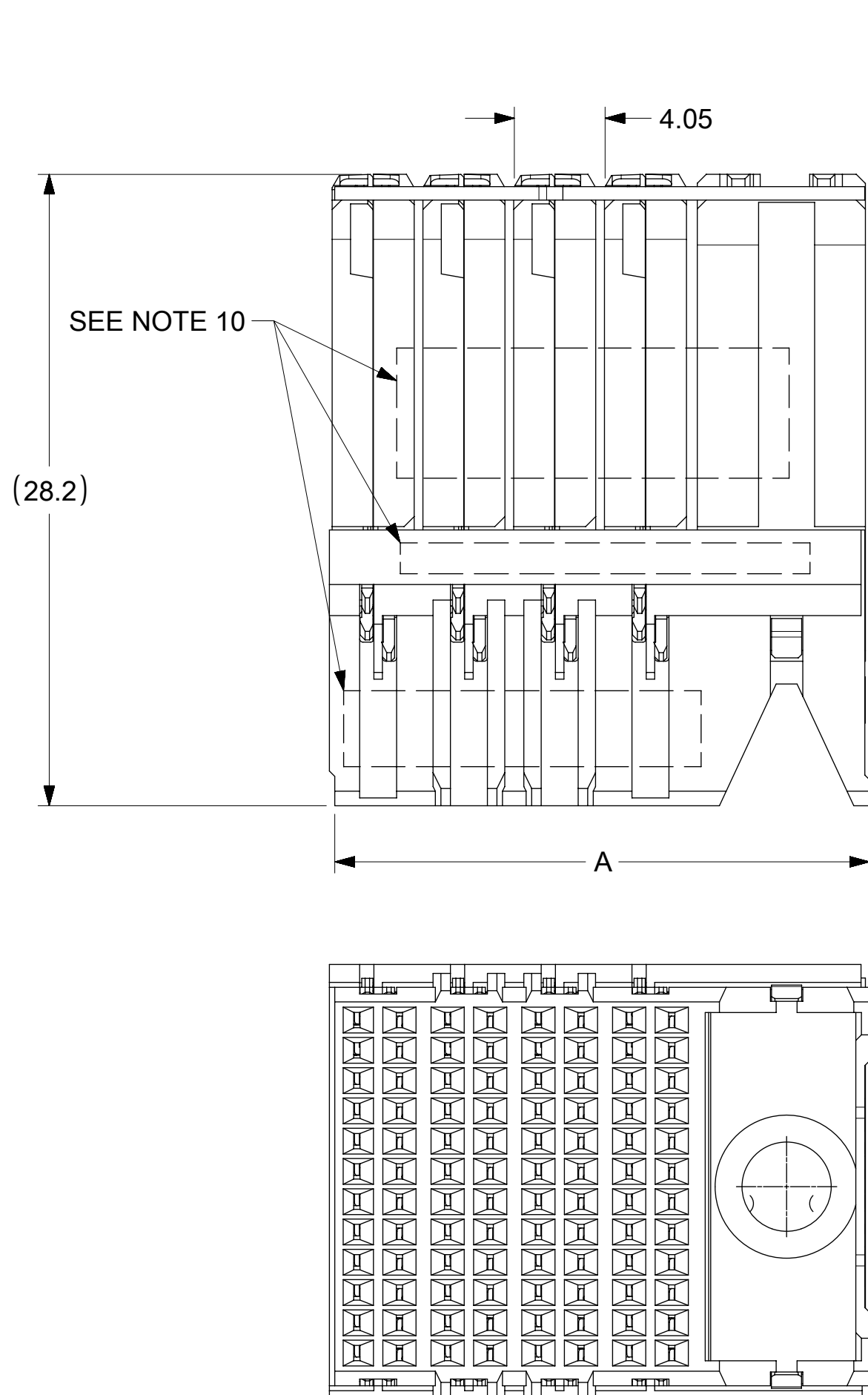
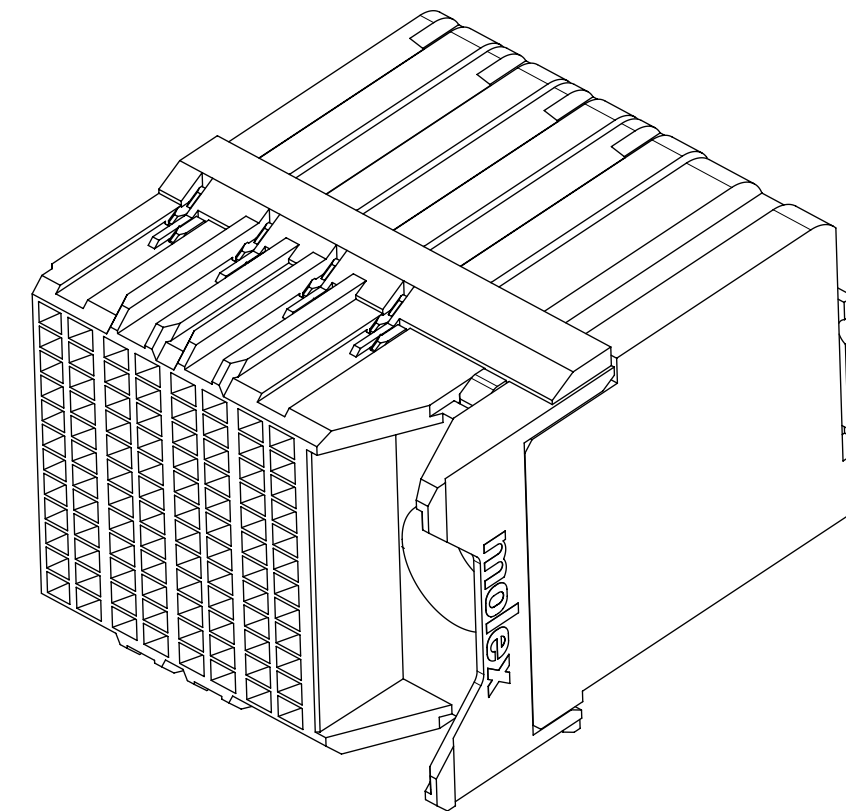


MATERIAL NUMBER	# OF COLUMNS	# OF DIFF PAIR	DIM "A" MAX	DIM "B"	PTH ϕ
76850-5006	6	24	20.25	10.00	0.46 \pm 0.05
76850-5036	6	24	20.25	10.00	0.39 \pm 0.05
76850-5008	8	32	24.30	14.05	0.46 \pm 0.05
76850-5038	8	32	24.30	14.05	0.39 \pm 0.05
76850-5010	10	40	28.35	18.10	0.46 \pm 0.05
76850-5020	10	40	28.35	18.10	0.39 \pm 0.05

76850-*0**

MODULE & TAIL PLATING TYPE
5 = RIGHT GUIDED, LEAD-FREE

OF COLUMNS
06 = 6 COL 0.46 PTH
36 = 6 COL 0.39 PTH
08 = 8 COL 0.46 PTH
38 = 8 COL 0.39 PTH
10 = 10 COL 0.46 PTH
20 = 10 COL 0.39 PTH



DAUGHTERCARD HOLE PATTERN
(CONNECTOR SIDE)

NOTES:

- MATERIALS: HOUSING - LIQUID CRYSTAL POLYMER (LCP), GLASS-FILLED, UL94V-0
TERMINALS - HIGH PERFORMANCE COPPER ALLOY
- FINISH: 30uIN MIN GOLD IN CONTACT AREA. SELECTIVE TIN ON PCB TAILS. NICKEL OVERALL.
- REFER TO MOLEX PRODUCT SPEC PS-76060-999 FOR PERFORMANCE SPECIFICATIONS AND ADDITIONAL PCB INFORMATION.
- EACH SIGNAL WAFER CONTAINS 2 COLUMNS OF TERMINALS.
- PRODUCT IS PACKAGED PER PK-70873-610.
- THIS PART CONFORMS TO CLASS B REQUIREMENTS OF COSMETIC SPEC PS-45499-002.
- REFER TO MOLEX SALES DRAWING SD-76845-003 FOR THE MATING HEADERS.
- WHEN USING MOLEX SUPPLIED #2-32 SCREW 73726-0000 (9.50mm \pm 0.38 THREADABLE SCREW LENGTH), THE MAXIMUM BOARD THICKNESS IS 4.4mm.
- REFER TO MOLEX ROUTING GUIDE AS-76850-990 FOR ADDITIONAL PCB LAYOUT AND ROUTING RECOMMENDATIONS.
- MARKING: LOCATED APPROXIMATELY AS SHOWN. PART NUMBER AND DATE CODE.

THIS DRAWING CONTAINS INFORMATION THAT IS PROPRIETARY TO MOLEX ELECTRONIC TECHNOLOGIES, LLC AND SHOULD NOT BE USED WITHOUT WRITTEN PERMISSION			
DIMENSION UNITS	SCALE	CURRENT REV DESC: MIGRATED TO NX	
mm	NTS		
GENERAL TOLERANCES (UNLESS SPECIFIED)			
ANGULAR TOL	\pm 0.5°	EC NO: 612533	
4 PLACES	\pm	DRWN: MMALLIGEVALU	2018/11/09
3 PLACES	\pm	CHK'D: TMARRI	2019/02/22
2 PLACES	\pm 0.15	APPR: BOKOK	2019/03/01
1 PLACE	\pm 0.25	INITIAL REVISION:	
0 PLACES	\pm	DRWN: JLAURX	2010/01/11
		APPR: JBINGHAM	2010/01/14
DRAFT WHERE APPLICABLE MUST REMAIN WITHIN DIMENSIONS	THIRD ANGLE PROJECTION	DRAWING	SERIES
		C-SIZE	76850
DOCUMENT STATUS	P1	RELEASE DATE	2019/03/01 07:25:58
DOCUMENT NUMBER		DOC TYPE	DOC PART
SD-76850-004		PSD	001
MATERIAL NUMBER		CUSTOMER	SHEET NUMBER
SEE CHART		GENERAL MARKET	1 OF 1

molex

IMPACT DAUGHTERCARD
4 PAIR ORTHOGONAL GUIDE RIGHT SALES DWG

PRODUCT CUSTOMER DRAWING

DOCUMENT NUMBER: SD-76850-004
DOC TYPE: PSD
DOC PART: 001
REVISION: B4

MATERIAL NUMBER: SEE CHART
CUSTOMER: GENERAL MARKET
SHEET NUMBER: 1 OF 1