

SCALE 100:1

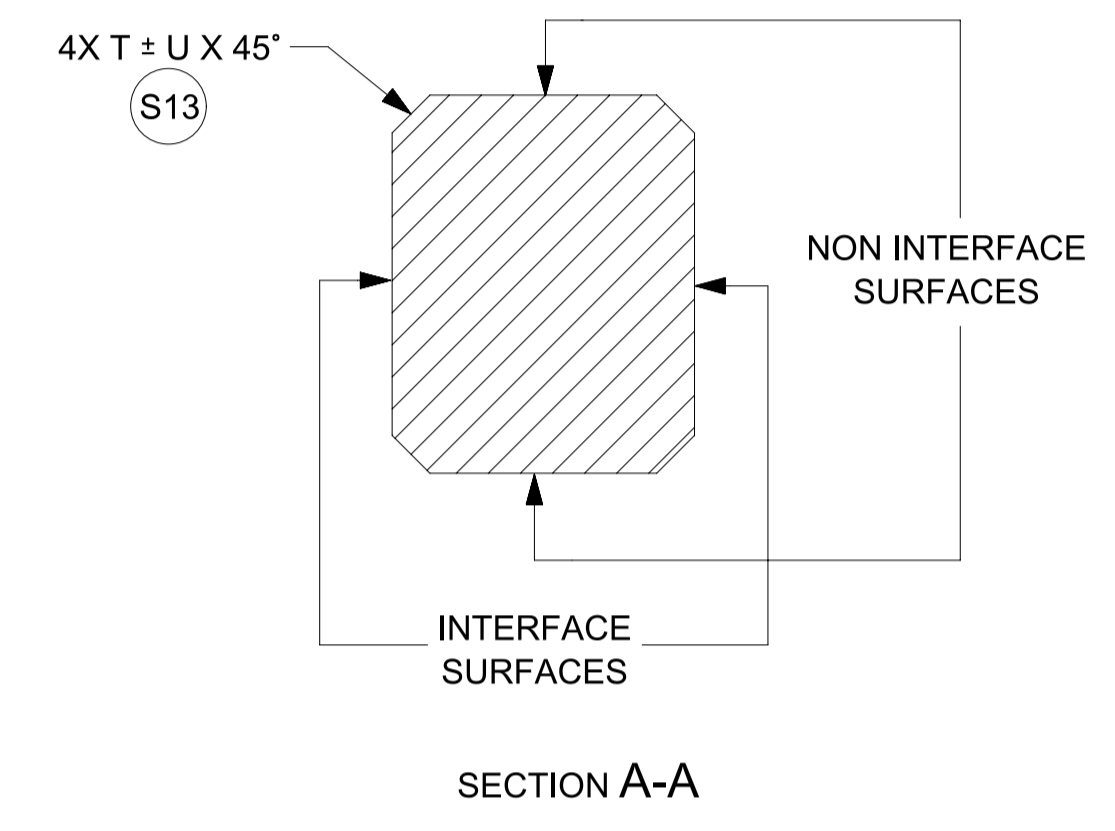
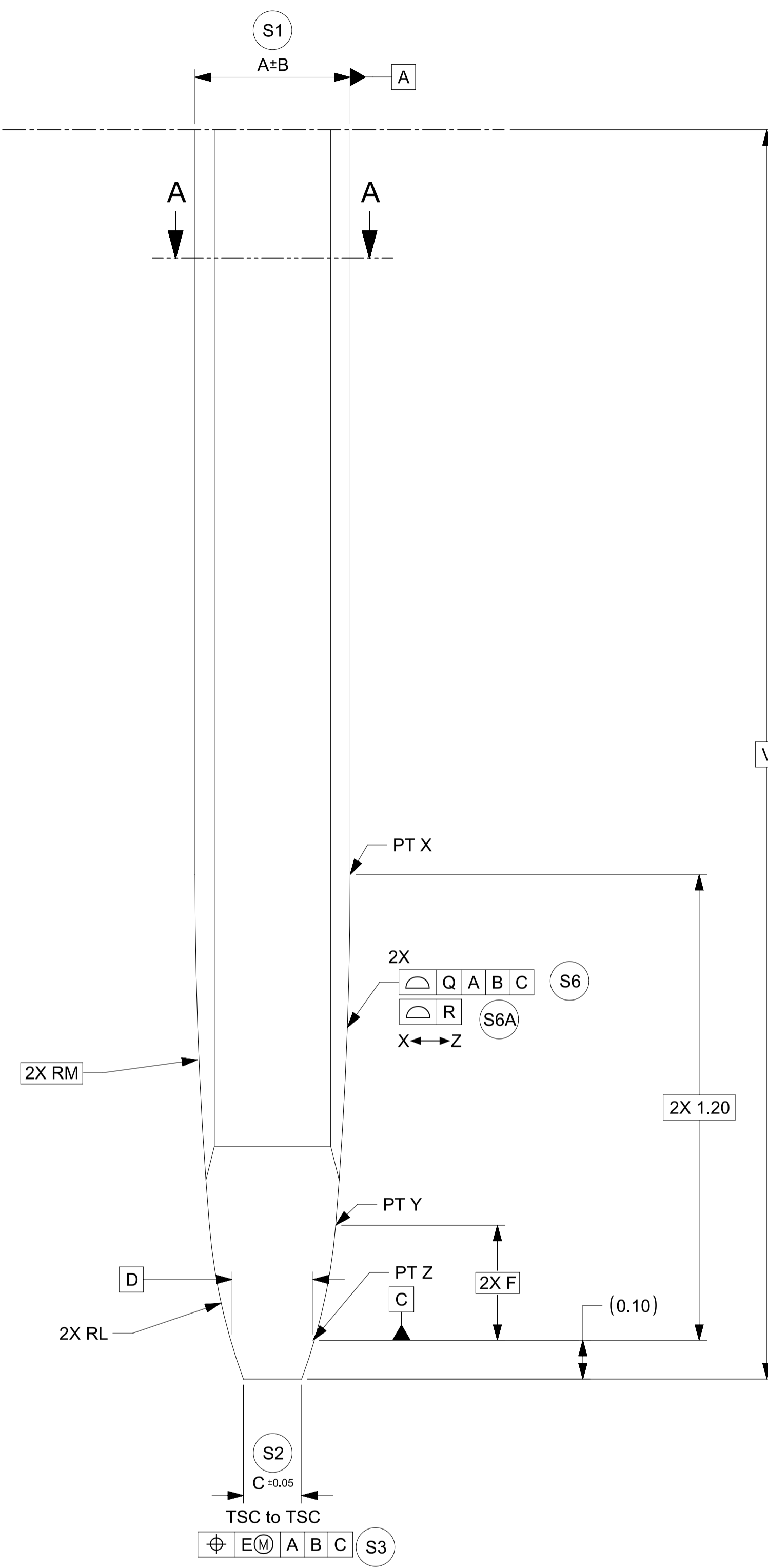


TABLE 1			DRAWING DIMENSIONS																		
Model NO.	Description	Application	A	B	C	D	E	F	G	H	J	L	M	N	P	Q	R	T	U	V	W
34735-0004_FM_000	0.50mm BLADE	HEADER	0.40	0.015	0.15	0.216	0.05	0.296	0.50	0.03	0.05	1.5	11	0.20	0.50	0.10	0.06	0.05	0.03	4.0 MIN	0.08
34735-0001_FM_000	0.64mm BLADE - NORMAL THICKNESS	HEADER	0.64	0.03	0.25	0.356	0.10	0.285	0.64	0.03	0.05	1	7	0.25	0.55	0.10	0.06	0.05	0.03	5.5 MIN	0.08
34735-0002_FM_000	0.64mm BLADE - REDUCED THICKNESS	HEADER	0.625	0.015	0.234	0.341	0.10	0.285	0.64	0.03	0.05	1	7	0.25	0.55	0.10	0.06	0.05	0.03	5.5 MIN	0.08
34735-0006_FM_000	1.20mm BLADE	HEADER	0.60	0.015	0.21	0.316	0.10	0.285	1.00	0.05	0.05	1	7	0.59	0.55	0.10	0.06	0.05	0.03	5.5 MIN	0.13
34735-0003_FM_000	1.50mm BLADE	HEADER	0.80	0.03	0.25	0.321	0.10	1.10	1.50	0.05	0.10	4.775	1.083	0.5	1.68	0.10	0.06	0.05	0.03	5.0 MIN	0.13
34735-0010_FM_000	2.8mm BLADE	HEADER	0.80	0.025	0.20	0.345	0.10	0.314	2.50	0.10	0.10	1	4	1.80	1.10	0.15	0.06	0.06	0.05	9.5 MIN	0.25
34735-0011_FM_000	6.3mm BLADE	HEADER	0.80	0.025	0.31	0.345	0.10	0.314	6.0	0.25	0.20	1	4	3.90	1.10	0.15	0.06	0.06	0.05	10.5 MIN	0.13
34735-0012_FM_000	1.20mm BLADE	INLINE	0.60	0.015	0.21	0.316	0.10	0.285	1.20	0.05	0.05	1	7	0.59	0.55	0.10	0.06	N/A	N/A	5.5 MIN	0.13

<b>FUNCTIONAL SYMBOLS</b> $\nabla_A = 0$ $\nabla_C = 0$ $\nabla_P = 0$ <b>DIVISIONAL SYMBOLS</b>	THIS DRAWING CONTAINS INFORMATION THAT IS PROPRIETARY TO MOLEX ELECTRONIC TECHNOLOGIES, LLC AND SHOULD NOT BE USED WITHOUT WRITTEN PERMISSION		CURRENT REV DESC:		 DESIGN STANDARD HEADER PIN & BLADE TIP GEOMETRY FOR MATING TO HARNESS TERMINALS PRODUCT SALES DRAWING		
	DIMENSION UNITS	SCALE	PHASE: Design Production				
	mm	100:1	EC NO: CO-000000508				
	GENERAL TOLERANCES (UNLESS SPECIFIED)		DRWN: Raghavendra MV				
ANGULAR TOL ± 0.5°		APPR: Deepak Patil		2022-01-31	DOC TYPE   DOC PART   REVISION		
4 PLACES ± 0.00000		CHKD: Nathan Song		2022-02-07	347350050		
3 PLACES ± 0.0150		APPR: Deepak Patil		2022-02-09			
2 PLACES ± 0.050		INITIAL REVISION:		DOCUMENT NUMBER			
1 PLACE ± 0.10		DRWN: Raghavendra MV		DOC TYPE   DOC PART   REVISION			
0 PLACES ± 0.00		APPR: Deepak Patil		PSD 000 A21			
DRAFT WHERE APPLICABLE MUST REMAIN WITHIN DIMENSIONS		THIRD ANGLE PROJECTION	DRAWING	SERIES	MATERIAL NUMBER	CUSTOMER	SHEET NUMBER
			A1-SIZE	34735			2 OF 2

NOTES

1. GENERAL:

- 1.1. ALL PRODUCT SPECIFICATIONS AND THEIR RELATED DOCUMENTS USING THIS FEATURE MUST REFERENCE THIS DOCUMENT AS THE CONTROLLING SPECIFICATION AND USE THE SAME BALLOON NUMBERS.
- 1.2. COMPLIANCY TO THIS DOCUMENT:
  - a) COMPLIANCY MAY BE CLAIMED BY MEETING THE REQUIREMENTS IN THIS SPECIFICATION WITH THE DEVIATION IDENTIFIED AND MAY BE REFERENCED IN OTHER DOCUMENTS (DRAWINGS, DVP&R, ETC.) AS 'CONFORMS TO MOLEX 347350050 REV X.X'.
  - b) PRODUCTS DESIGNED AFTER THE DATE OF RELEASE OF THIS DOCUMENT SHALL BE COMPLIANT TO THE CURRENT REVISION OF THIS DOCUMENT.
  - c) PRODUCTS THAT HAVE MET PREVIOUS REVISION(S) OF THIS DOCUMENT SPECIFICATION SHALL STILL BE CONSIDERED 'MOLEX STANDARDS COMPLIANT' TO THOSE REVISIONS AND DO NOT NEED TO BE RE-VALIDATED.
- 1.3. DEVIATIONS TO THIS DOCUMENT ARE ALLOWABLE UNDER THE FOLLOWING CONDITIONS:
  - a) ALL DEVIATIONS SHALL SHOW EQUAL OR BETTER PERFORMANCE (ELECTRICAL/MECHANICAL) AS REQUIRED BY VALIDATION SPECIFICATION.
  - b) EXCEPTIONS ARE CLEARLY IDENTIFIED ON THE PRODUCT SPECIFICATION.
  - c) ALL DEVIATIONS ARE APPROVED BY THE FOLLOWING INDIVIDUALS:
    - PERSON WHO HAS INTERFACE RESPONSIBILITY
    - PERSON WITH DESIGN STANDARD APPROVER AUTHORITY
  - d) ALL RECORDS OF DEVIATION APPROVALS SHALL BE INCLUDED WITH CHANGE NOTICE DOCUMENTATION.

2. DESIGN - MATERIALS:

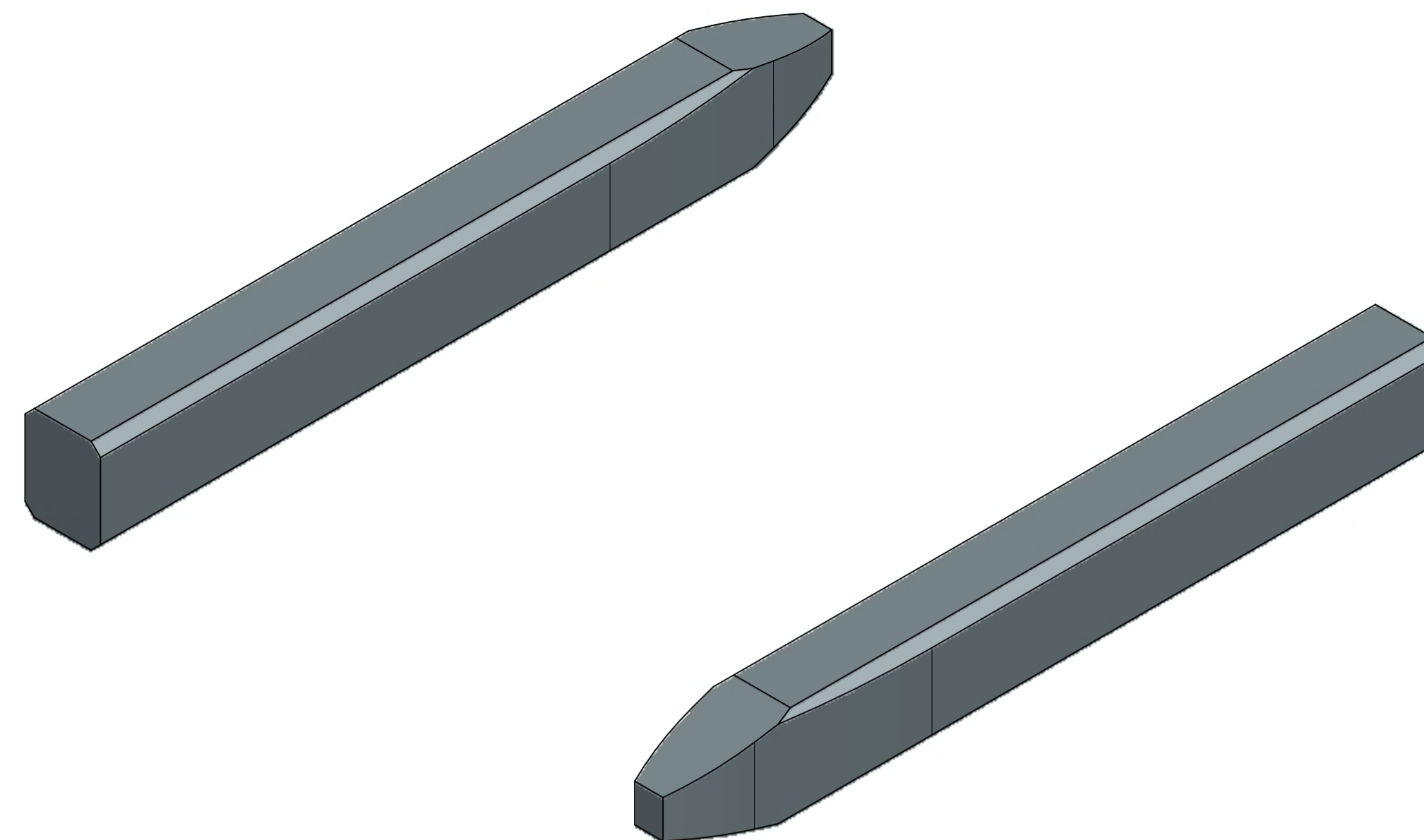
- 2.1. BASE MATERIAL TYPE : COPPER ALLOY

3. DESIGN - GEOMETRY:

- 3.1. THE 3-D CAD DATA IS BASIC (WITHOUT TOLERANCE) AND MASTER FOR THIS PART WITH EXCEPTION TO UNDERLINED DIMENSIONS. DIMENSIONAL INFORMATION NOT SHOWN ON THIS DRAWING IS DEFINED BY THE DATA FILE AT ITS LATEST REVISION.
- 3.2. PRODUCT DESIGN MODEL NUMBER(S): SEE BOM TABLE
- 3.3. GEOMETRIC DIMENSIONS AND TOLERANCES PER ASME Y14.5-2009
- 3.4. EDGES OF UNDEFINED SHAPE PER ISO 13715.
- 3.5. DIMENSIONS AND TOLERANCES APPLY BEFORE AND AFTER PLATING.
- 3.6. GENERAL TOLERANCES: SEE TITLE BLOCK

4. DESIGN - MANUFACTURING:

- 4.1. ANY REMAINING PROCESS LUBRICANT MUST NOT VARNISH OR DEGRADE ELECTRICAL PERFORMANCE. PROCESS LUBRICANTS SHOULD BE APPROVED BY THE RESPONSIBLE ENGINEER.
- 4.2. ALLOWABLE BURR: 0.03mm MAX UNLESS OTHERWISE SPECIFIED
- 4.3. FOR UNPLATES BLADES - TOOLING MARKS SPANNING ACROSS OR ALONG THE INTERFACING PROFILE OF THE BLADE SHOULD BE FURTHER INSPECTED. A TOOLING MARK DEEPER THAN 1 MICRON SHOULD NOT BE ACCEPTED.



SCALE 50:1

0.5 MM PIN VIEW SHOWN FOR REPRESENTATION PURPOSES ONLY


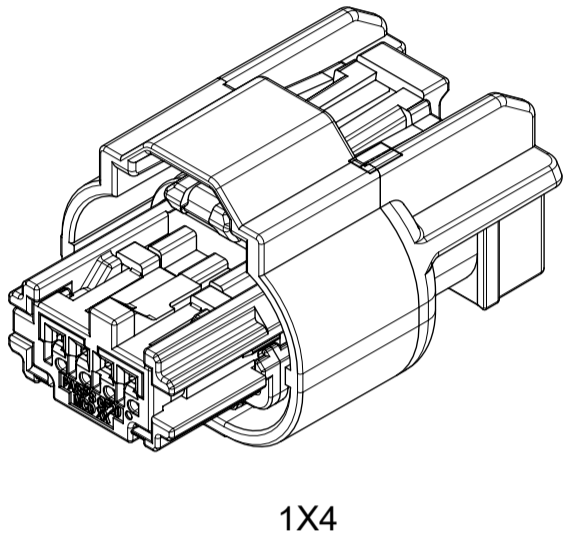
FUNCTIONAL SYMBOLS FA = 0 FC = 0 FP = 0	THIS DRAWING CONTAINS INFORMATION THAT IS PROPRIETARY TO MOLEX ELECTRONIC TECHNOLOGIES, LLC AND SHOULD NOT BE USED WITHOUT WRITTEN PERMISSION		CURRENT REV DESC:		 DESIGN STANDARD HEADER PIN & BLADE TIP GEOMETRY FOR MATING TO HARNESS TERMINALS
	DIMENSION UNITS	SCALE	PHASE: Design Production EC NO: CO-00000508 DRWN: Raghavendra MV 2022-01-31 CHK'D: Nathan Song 2022-02-07 APPR: Deepak Patil 2022-02-09		
DIVISIONAL SYMBOLS	mm	50:1	INITIAL REVISION: DRWN: Raghavendra MV 2022-01-31 APPR: Deepak Patil 2022-02-09		DOC TYPE   DOC PART   REVISION PSD   000   A21
	GENERAL TOLERANCES (UNLESS SPECIFIED)		DRAFT WHERE APPLICABLE MUST REMAIN WITHIN DIMENSIONS		MATERIAL NUMBER
	ANGULAR TOL ± 0.5°		THIRD ANGLE PROJECTION		CUSTOMER
	4 PLACES ± 0.00000		DRAWING		SHEET NUMBER
	3 PLACES ± 0.0150		A1-SIZE		1 OF 2
	2 PLACES ± 0.050		SERIES		
	1 PLACE ± 0.10		34735		
	0 PLACES ± 0.00				

TABLE OF CONTENTS	
SHEET NO.	SHEET DESCRIPTION
1	NOTES AND BOM
2	CONFIGURATIONS
3	RECEPTACLE CONNECTOR ASSEMBLY

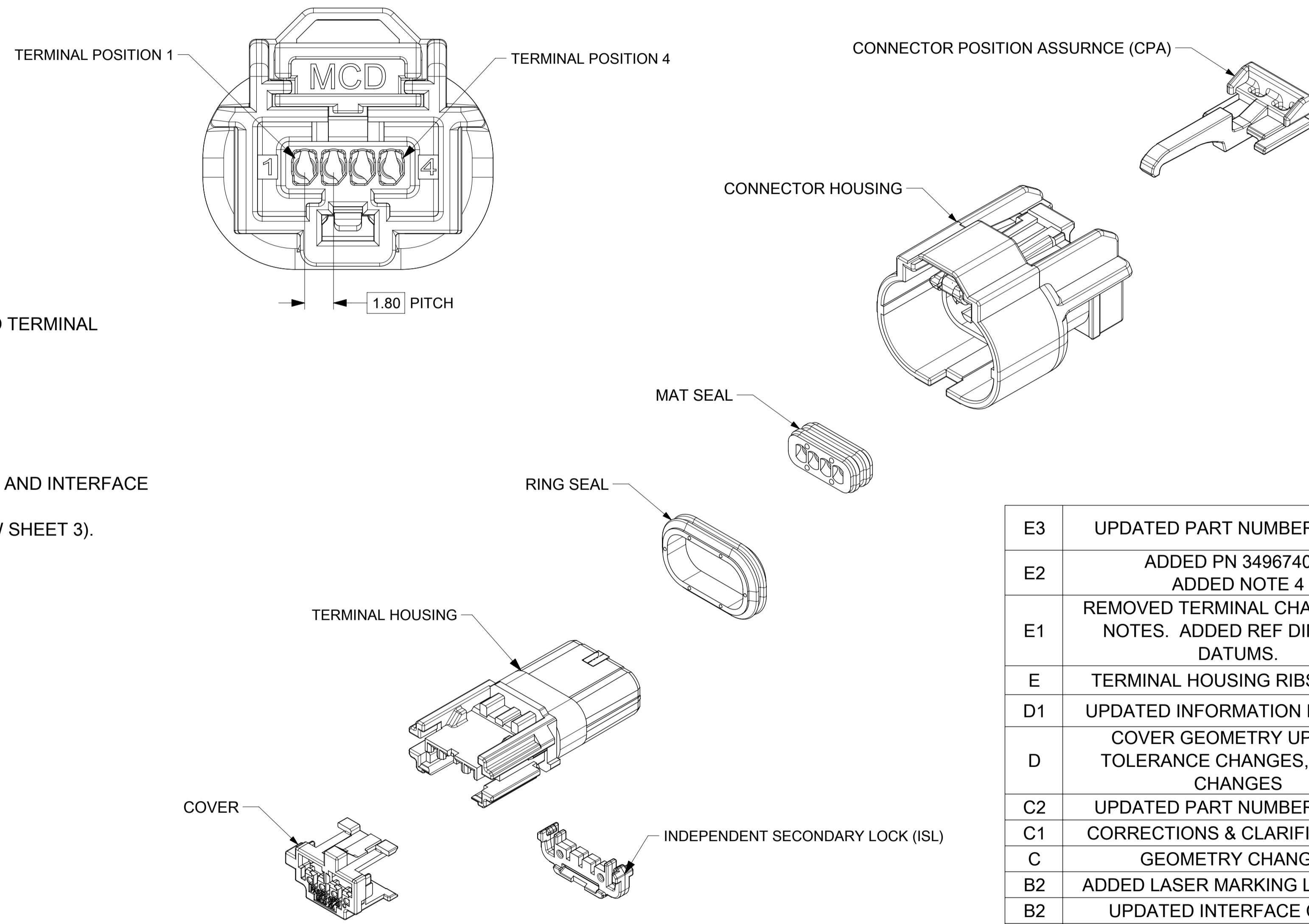
PART NUMBER AND MATING INTERFACE CHART						
PART NUMBER	KEY	COVER COLOR	TERMINAL POSITIONS PLUGGED	CPA INCLUDED	INTERFACE PART NUMBER	
349674001	A	BLACK	NONE	YES	349684801	
349674002	B	LIGHT GRAY	NONE	YES	349684802	
349674003	C	DARK GRAY	NONE	YES	349684803	
349674004	D	STONE GRAY	NONE	YES	349684804	
349674021	A	BLACK	2	YES	349684801	
349674005	A	BLACK	NONE	NO	349684801	
349674006	B	LIGHT GRAY	NONE	NO	349684802	
349674007	C	DARK GRAY	NONE	NO	349684803	
349674008	D	STONE GRAY	NONE	NO	349684804	
349674025	A	BLACK	2	NO	349684801	
349674051	A	BLACK	1, 2	YES	349684801	



1X4

NOTES: VALID UNLESS OTHERWISE SPECIFIED

- GENERAL:
  - APPLICATION SPECIFICATION SEE: AS-34894-0001  
-CONTAINS: PRODUCT INTRODUCTION, PRODUCT SUMMARY, CONNECTOR ASSEMBLY, PACKAGING INFORMATION, CONNECTOR MATING, SERVICE INSTRUCTIONS, ELECTRICAL CONTINUITY CHECKING, CRIMPING, AND TROUBLESHOOTING.
  - TERMINALS TO BE USED WITH THIS ASSEMBLY:  
MOLEX CTX50 SEALED RECEPTACLE TERMINALS FOR INFORMATION ON TERMINALS SEE MOLEX DRAWING 349050400 AND TERMINAL PRODUCT SPECIFICATION PS-34905-001.
  - CONNECTOR PRODUCT SPECIFICATION SEE 349670001 PS  
CONTAINS: PRODUCT INTRODUCTION, PRODUCT SUMMARY, RATINGS AND PRODUCT VALIDATION.  
VALIDATED TO USCAR 2 REV 6.  
RATINGS: T3 V1 S2
  - DESIGNED TO MATE WITH DEVICE INTERFACE AS SPECIFIED IN PART NUMBER AND INTERFACE CHART. SEE MOLEX DRAWING 349684800 FOR INTERFACE SPECIFICATION.
  - ASSEMBLY SHIPPED WITH ISL IN PRE-LOCK POSITION (SEE ISL PRE-LOCK VIEW SHEET 3).
  - PACKAGING SPECIFICATION PER MOLEX DRAWING: PK-31301-898
  - PARTS MUST BE IN COMPLIANCE TO MOLEX CHEMICAL SUBSTANCES FOR PRODUCTS AND PACKAGING SPECIFICATION: ES-40000-5016
  - DATA MUST BE SUBMITTED UNDER THE MOLEX PART NUMBER TO IMDS (COMPANY ID#13255)
- DESIGN - MATERIALS:
  - CONNECTOR HOUSING: SPS/NYLON GF20 BLACK
  - TERMINAL HOUSING: SPS/NYLON GF20 BLACK
  - COVER: SPS/NYLON GF20 COLORS IN PART NUMBER CHART
  - ISL: SPS GF30 NATURAL
  - MAT SEAL: INHERENTLY LUBRICATED SILICONE LIGHT BLUE
  - RING SEAL: INHERENTLY LUBRICATED SILICONE RUST RED
  - CPA (OPTIONAL): PBT GF30 RED
- DESIGN - GEOMETRY:
  - ALL GRAPHIC DATA IS BASIC (NO TOLERANCE) AND MUST BE TAKEN FROM THE DATA FILE AT ITS LATEST REVISION.
  - GEOMETRIC DIMENSIONS AND TOLERANCES PER ASME Y14.5M-2009
  - EDGES AND UNDIMENSIONED DETAILS PER ISO13715
  - CORNERS SHOWN AS SHARP TO BE R 0.2 MAX.
  - LETTERING SHALL BE 0.15 MAX RAISED IN 0.25 MAX RECESS PAD.  
THIS INCLUDES RECYCLING CODE, CAVITY ID, VENDOR IDENTIFICATION, AND CUSTOMER MATERIAL NUMBER.
  - VISUAL DEFECTS SHALL MEET COSMETIC STANDARD PS-45499-002 (Class B).
  - PARTS ARE LASER MARKED WITH PART NUMBER AND DATE CODE
  - FOR HAND CLEARANCES REQUIRED FOR MATING THE CONNECTOR, REFER TO USCAR 25-3 SECTION 8/8.2 FOR HAND PLUG CONNECTORS.

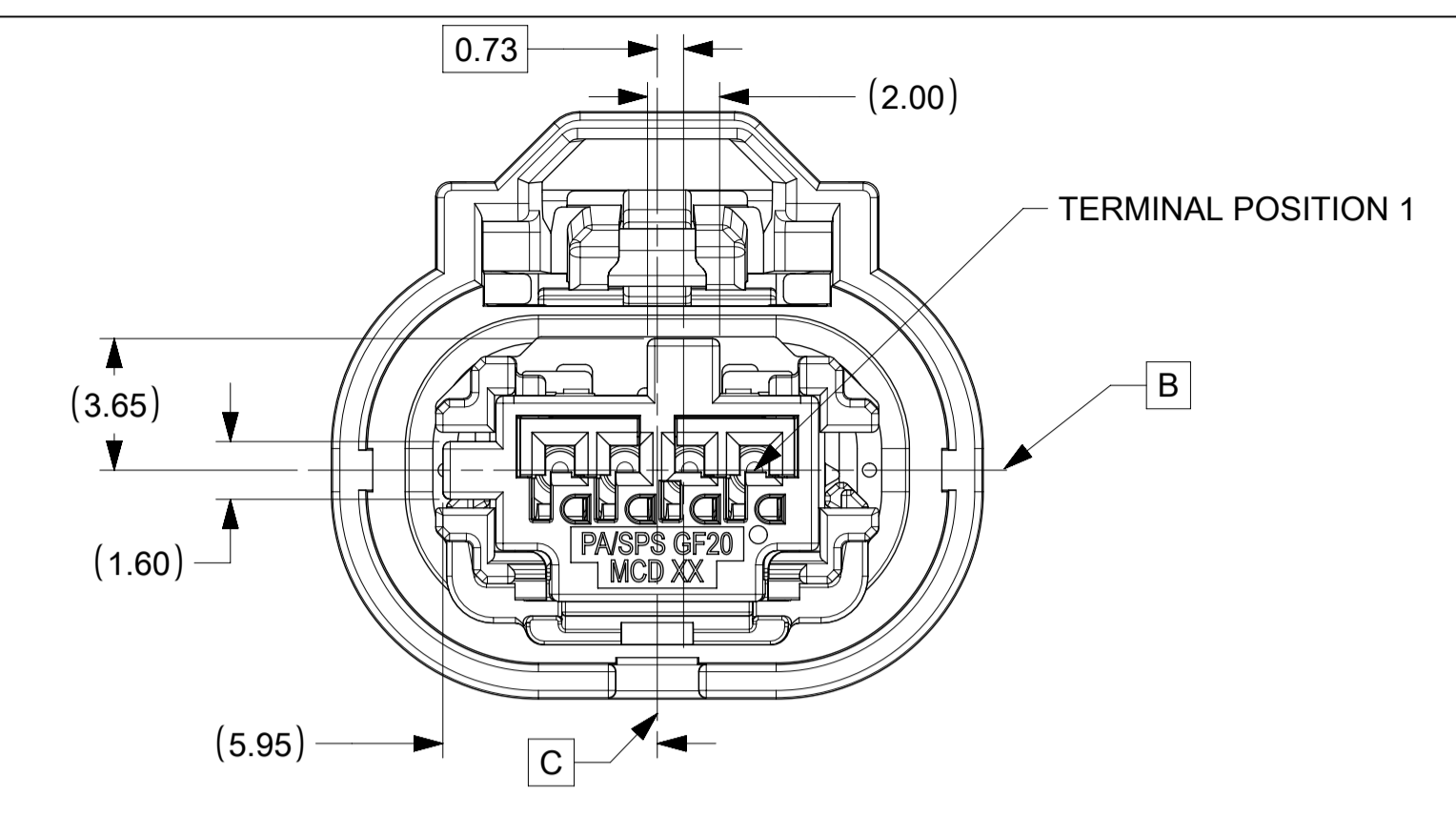


E3	UPDATED PART NUMBER CHART
E2	ADDED PN 349674051 ADDED NOTE 4
E1	REMOVED TERMINAL CHART FROM NOTES. ADDED REF DIM TO ID DATUMS.
E	TERMINAL HOUSING RIBS ADDED
D1	UPDATED INFORMATION IN NOTES
D	COVER GEOMETRY UPDATE, TOLERANCE CHANGES, NOTES CHANGES
C2	UPDATED PART NUMBER CHART
C1	CORRECTIONS & CLARIFICATIONS
C	GEOMETRY CHANGES
B2	ADDED LASER MARKING LOCATION
B1	UPDATED INTERFACE CHART
B	COMPONENT MODEL UPDATE
A1	UPDATED VIEWS & INTERFACE CHART
A	MINOR UPDATES
1	INITIAL RELEASE
REV	REV DESCRIPTION

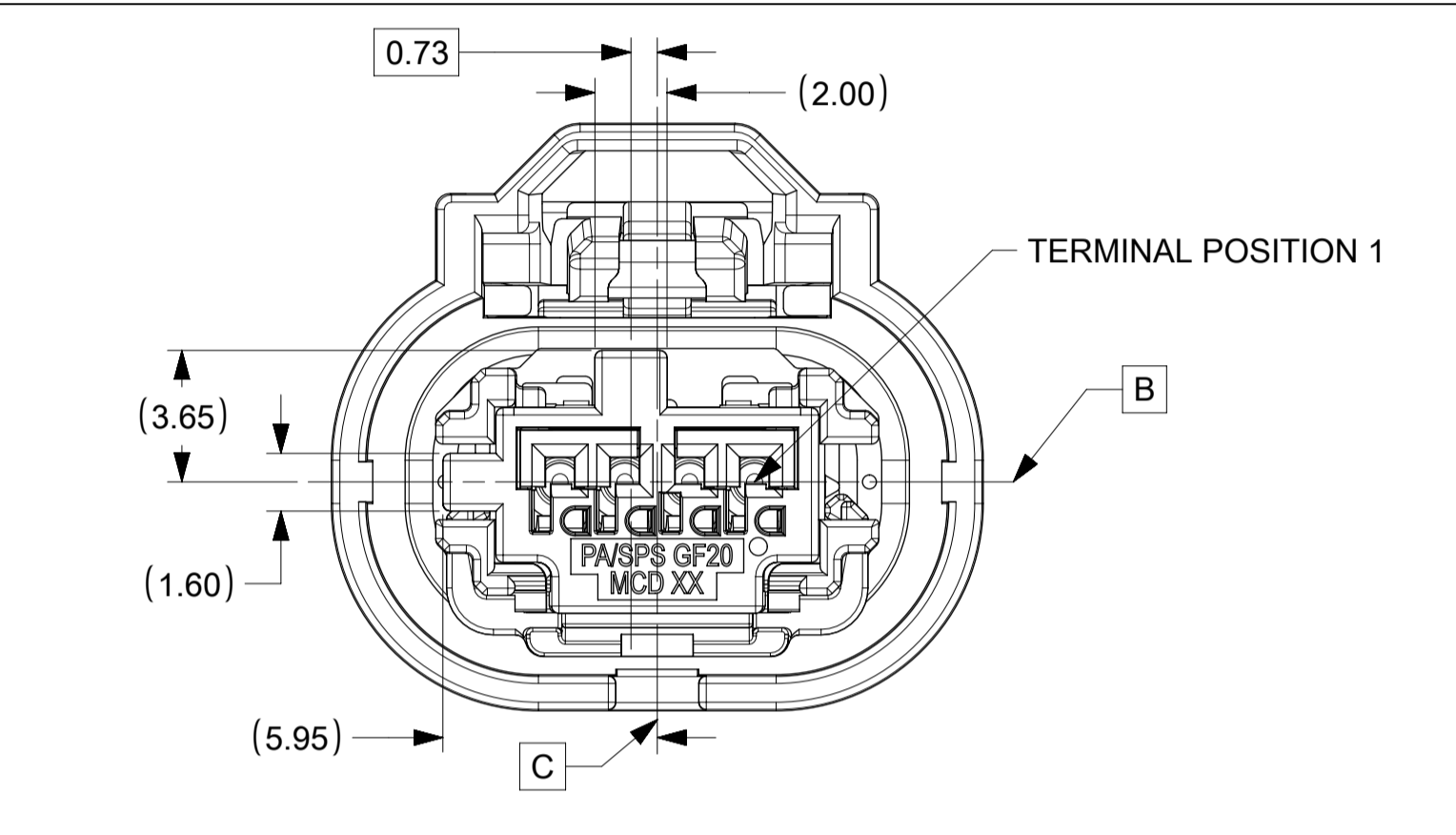
INSPECTION NUMBER LOG	
LAST NUMBER:	15
ADDED:	REMOVED: 2,4,7,8,9,13,14

FUNCTIONAL SYMBOLS	THIS DRAWING CONTAINS INFORMATION THAT IS PROPRIETARY TO MOLEX ELECTRONIC TECHNOLOGIES, LLC AND SHOULD NOT BE USED WITHOUT WRITTEN PERMISSION	
	DIMENSION UNITS	SCALE
$\frac{E}{A} = 0$	mm	1:1
$\frac{E}{C} = 0$	GENERAL TOLERANCES (UNLESS SPECIFIED)	
$\frac{E}{P} = 0$	ANGULAR TOL $\pm 3.0^\circ$	
DIVISIONAL SYMBOLS	4 PLACES	$\pm$
	3 PLACES	$\pm$
	2 PLACES	$\pm 0.1$
	1 PLACE	$\pm 0.2$
	0 PLACES	$\pm$
DRAFT WHERE APPLICABLE MUST REMAIN WITHIN DIMENSIONS		THIRD ANGLE PROJECTION
CURRENT REV DESC: UPDATED PART NUMBER CHART		EC NO: 656180
		DRWN: MLI149 2021/02/19
		CHK'D: JCONDON 2021/02/22
		APPR: JCONDON 2021/02/22
		INITIAL REVISION:
		DRWN: MNS02 2016/04/26
		APPR: KDEKOSKI 2016/05/19
DRAWING	SERIES	MATERIAL NUMBER
A1-SIZE	34967	SEE CHART
CUSTOMER		SHEET NUMBER
CUSTOMER		1 OF 3

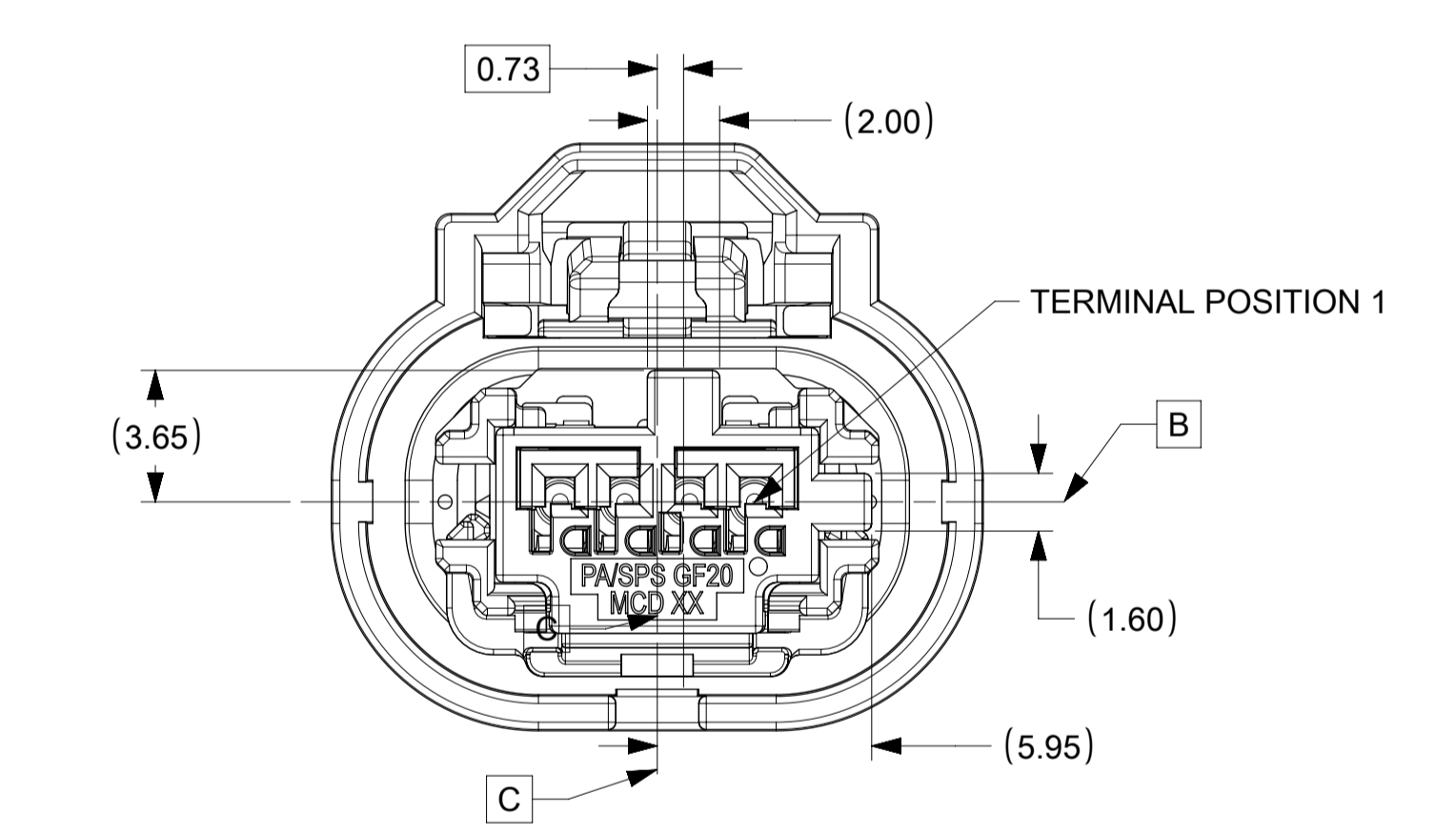
SHEET DESCRIPTION  
KEY CONFIGURATIONS



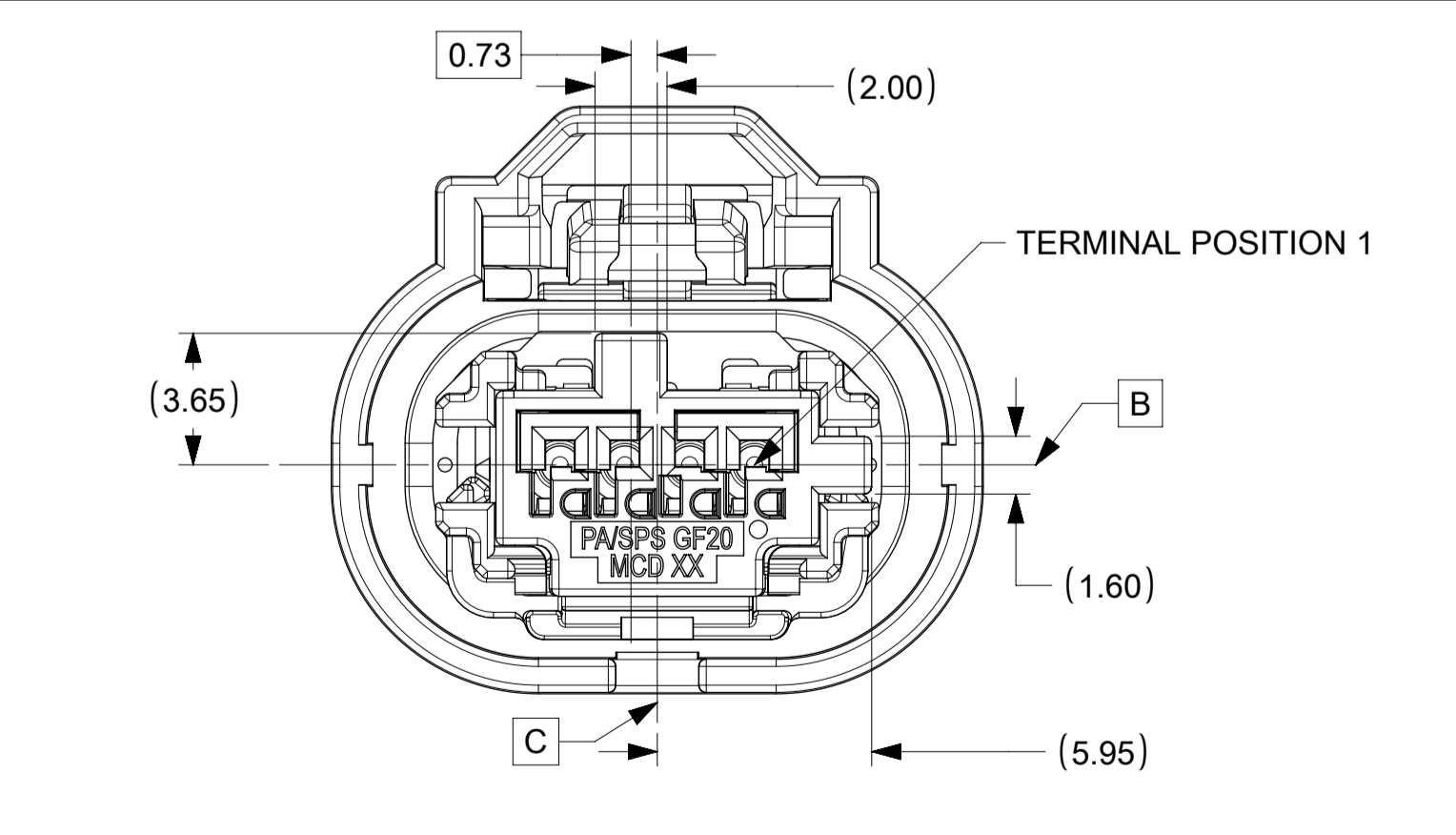
KEY A



KEY B



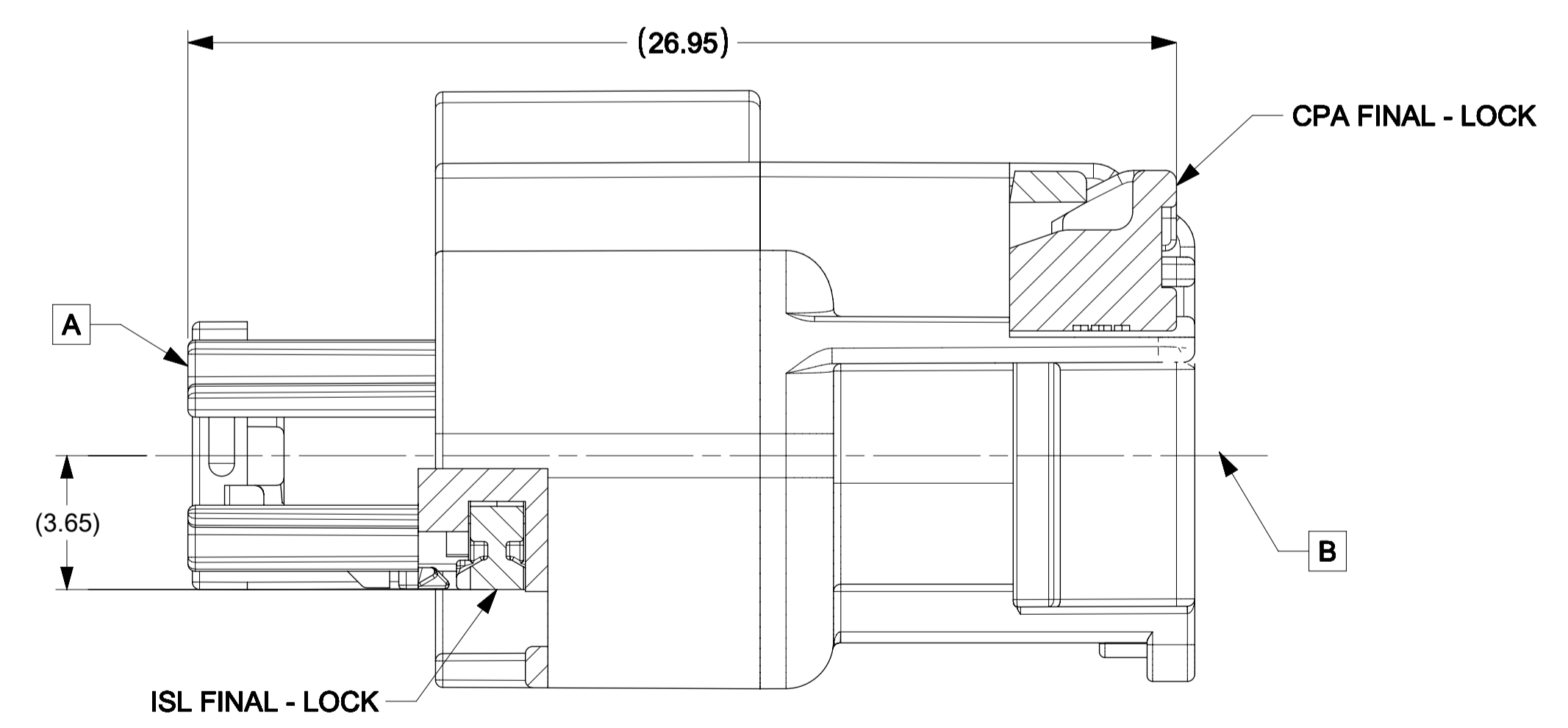
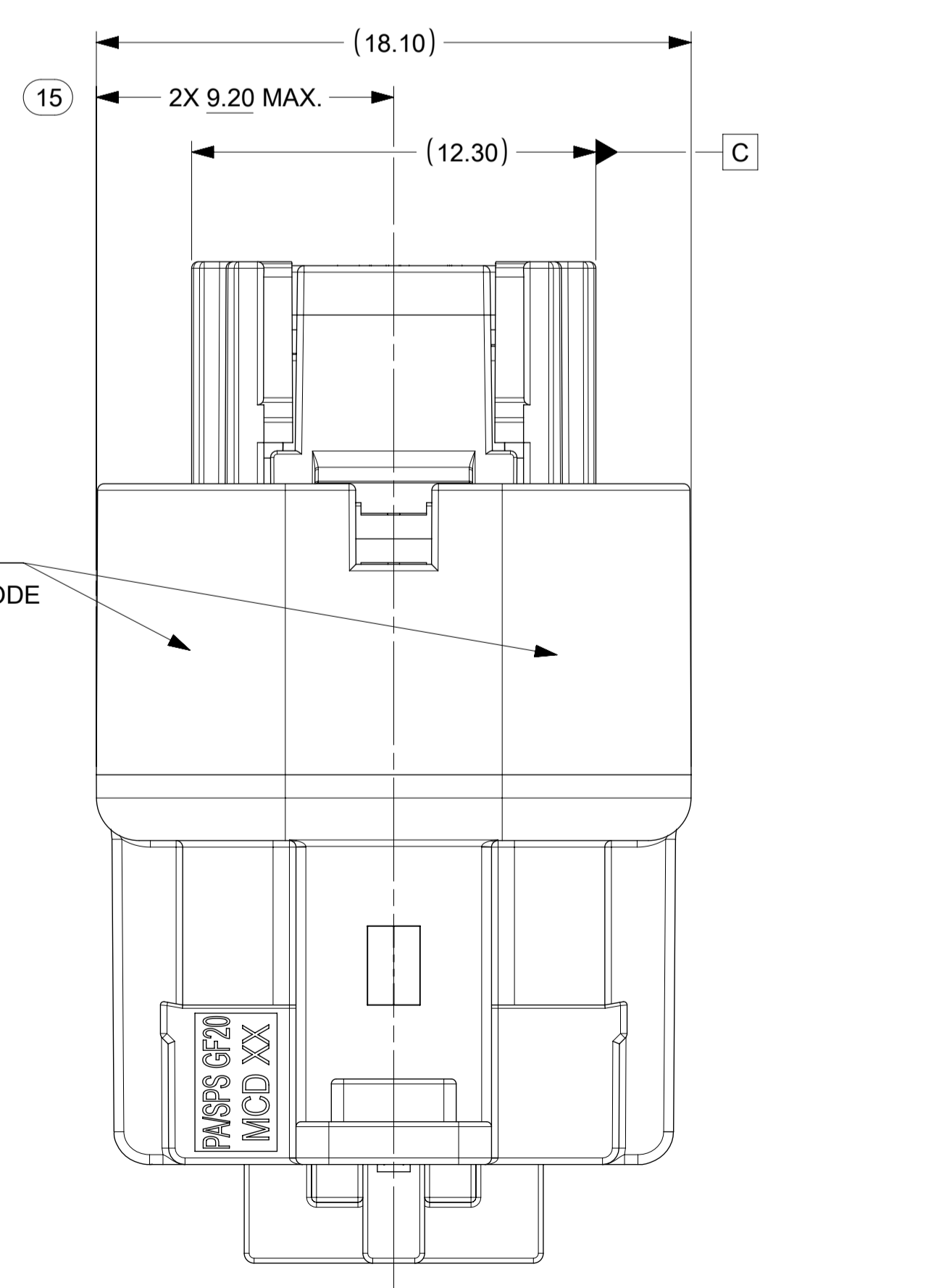
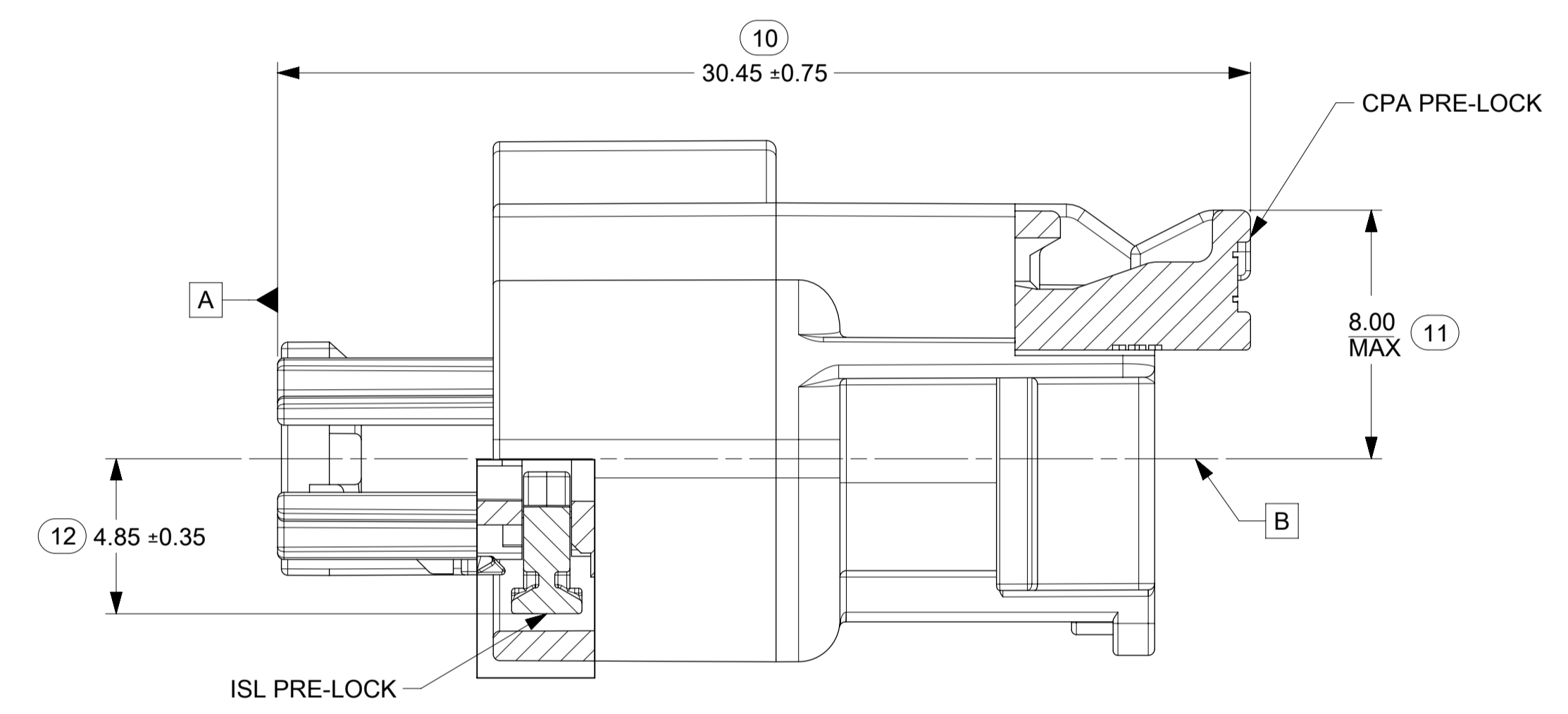
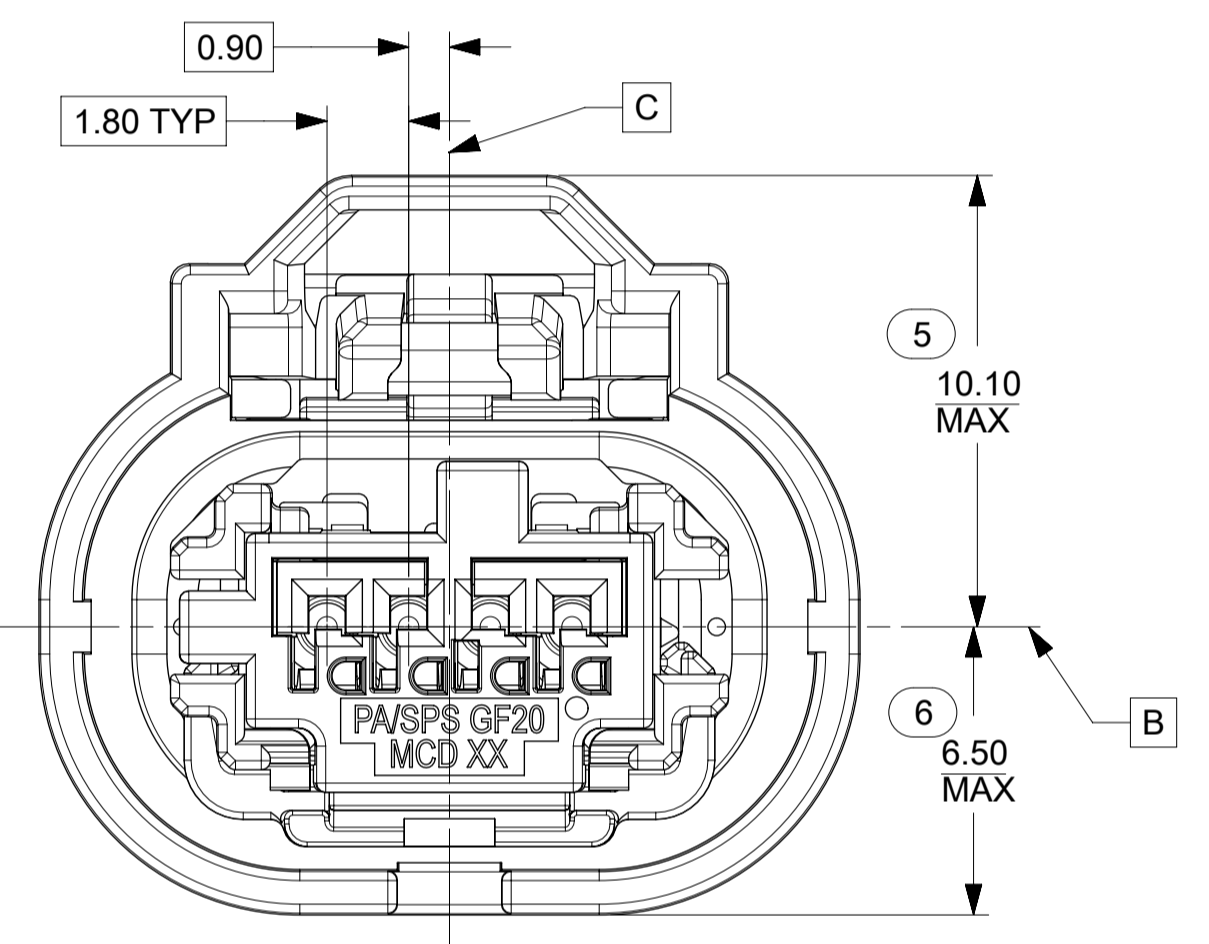
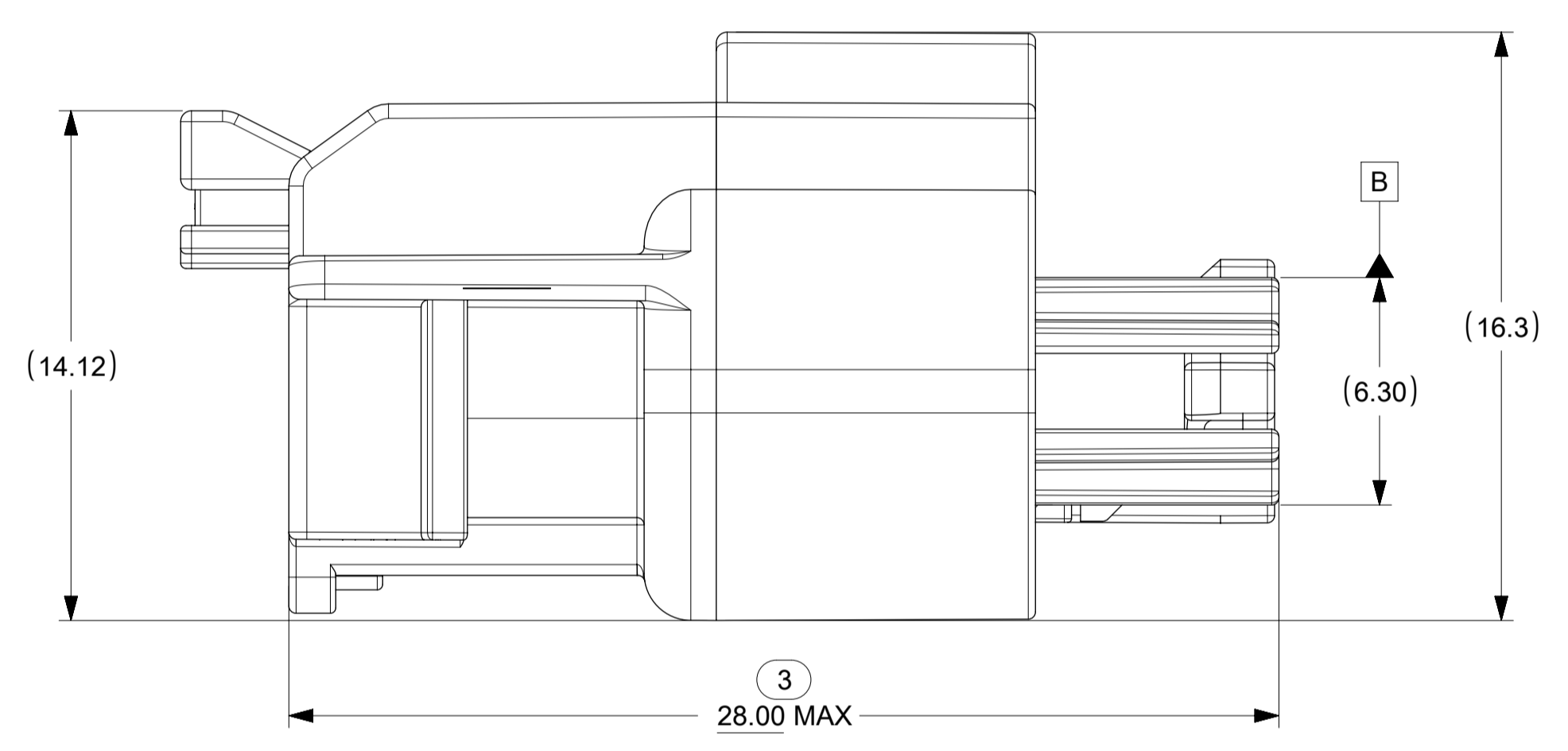
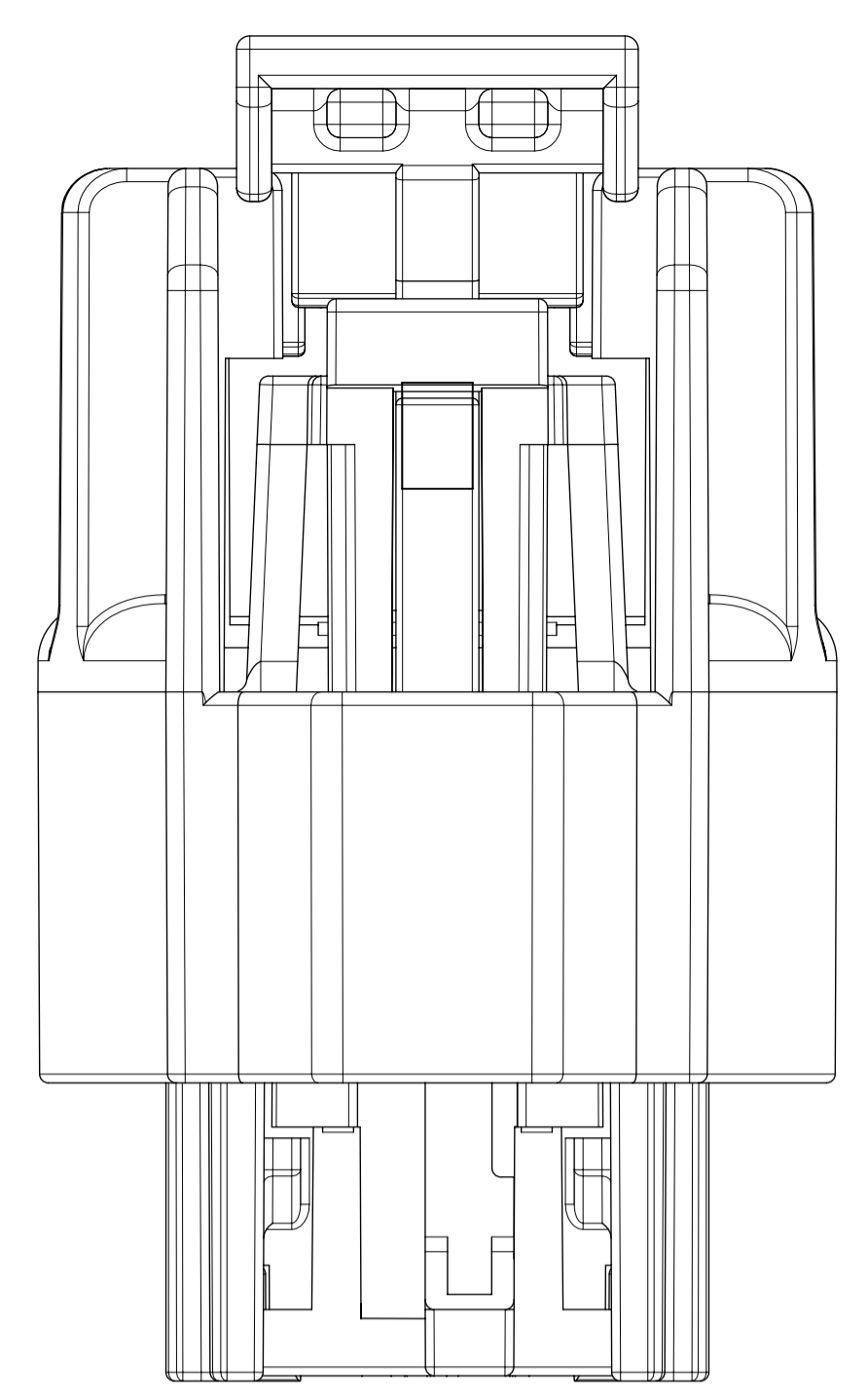
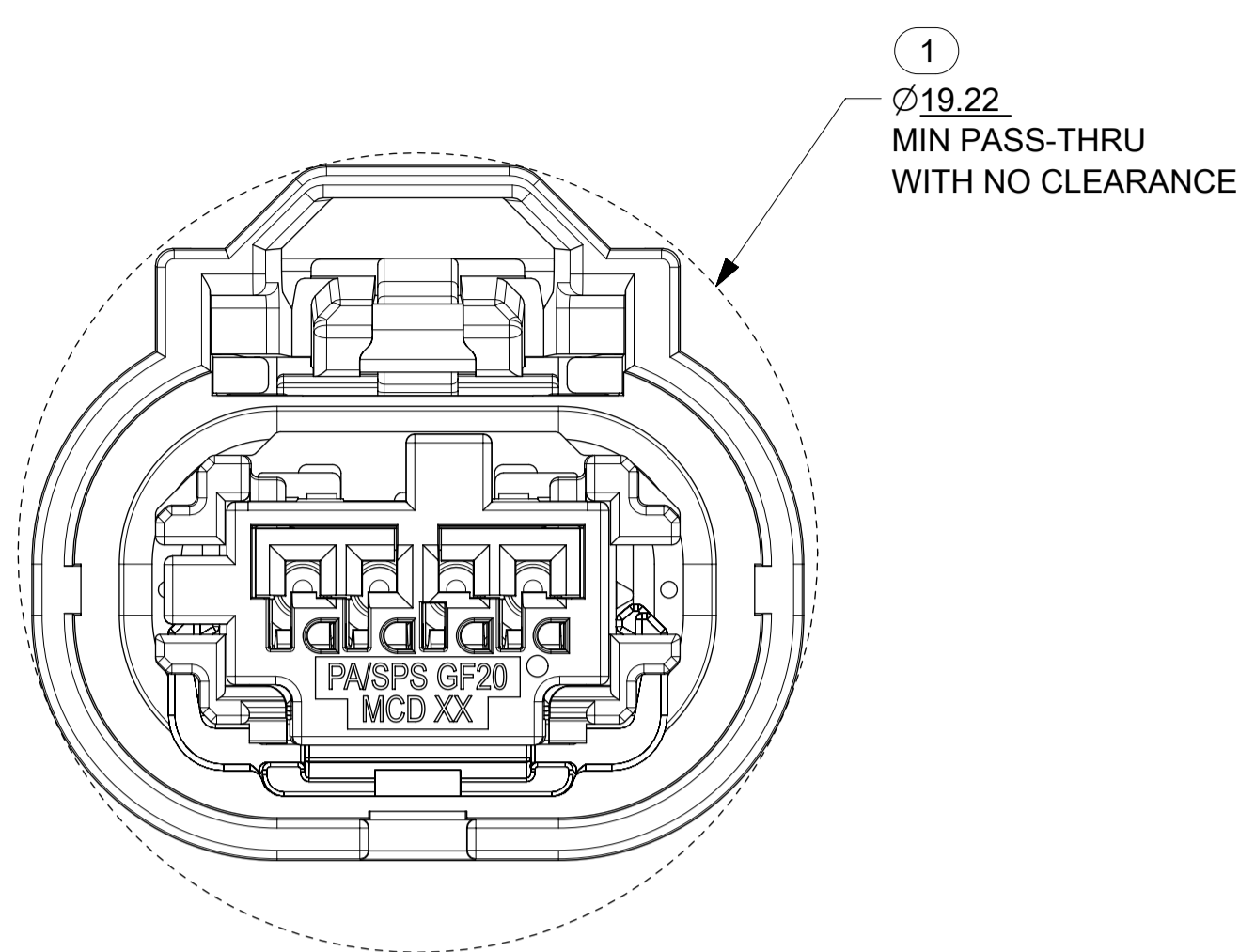
KEY C



KEY D

FUNCTIONAL SYMBOLS	THIS DRAWING CONTAINS INFORMATION THAT IS PROPRIETARY TO MOLEX ELECTRONIC TECHNOLOGIES, LLC AND SHOULD NOT BE USED WITHOUT WRITTEN PERMISSION		CURRENT REV DESC: UPDATED PART NUMBER CHART		<b>molex</b>
	DIMENSION UNITS	SCALE			
$\frac{E}{A} = 0$	mm	1:1			MINI50 SEALED 1X4 RCPT ASSY
$\frac{E}{C} = 0$	GENERAL TOLERANCES (UNLESS SPECIFIED)				
$\frac{E}{P} = 0$	ANGULAR TOL ± 3.0°				PRODUCT CUSTOMER DRAWING
DIVISIONAL SYMBOLS	4 PLACES	±	EC NO: 656180	2021/02/19	
	3 PLACES	±	DRWN: MLI149	2021/02/22	
	2 PLACES	± 0.1	CHK'D: JCONDON	2021/02/22	
	1 PLACE	± 0.2	APPR: JCONDON	2021/02/22	
0 PLACES	±	INITIAL REVISION:			
DRAFT WHERE APPLICABLE MUST REMAIN WITHIN DIMENSIONS		THIRD ANGLE PROJECTION	DRWN: MNS02	2016/04/26	DOCUMENT NUMBER
			APPR: KDEKOSKI	2016/05/19	349674000
					DOC TYPE   DOC PART   REVISION
					PSD   000   E3
					MATERIAL NUMBER   CUSTOMER   SHEET NUMBER
					SEE CHART     2 OF 3

**SHEET DESCRIPTION**  
RECEPTACLE CONNECTOR ASSEMBLY



<b>FUNCTIONAL SYMBOLS</b> FA = 0 FE = 0 FP = 0 <b>DIVISIONAL SYMBOLS</b>	THIS DRAWING CONTAINS INFORMATION THAT IS PROPRIETARY TO MOLEX ELECTRONIC TECHNOLOGIES, LLC AND SHOULD NOT BE USED WITHOUT WRITTEN PERMISSION		CURRENT REV DESC: UPDATED PART NUMBER CHART		
	DIMENSION UNITS	SCALE	EC NO: 656180		
	mm	1:1	DRWN: MLI149	2021/02/19	
	GENERAL TOLERANCES (UNLESS SPECIFIED)		CHK'D: JCONDON	2021/02/22	
ANGULAR TOL ± 3.0°		APPR: JCONDON	2021/02/22	PRODUCT CUSTOMER DRAWING	
4 PLACES ±		INITIAL REVISION:		DOCUMENT NUMBER	DOC TYPE   DOC PART   REVISION
3 PLACES ±		DRWN: MNS02	2016/04/26	349674000	PSD 000 E3
2 PLACES ± 0.1		APPR: KDEKOSKI	2016/05/19		
1 PLACE ± 0.2		DRAFT WHERE APPLICABLE MUST REMAIN WITHIN DIMENSIONS		MATERIAL NUMBER	CUSTOMER
0 PLACES ±		THIRD ANGLE PROJECTION	DRAWING	SEE CHART	SHEET NUMBER
			A1-SIZE	34967	3 OF 3

TABLE OF CONTENTS	
SHEET NO.	SHEET DESCRIPTION
1	INTERFACE NOTES AND BOM
2	INTERFACE KEY CONFIGURATIONS
3	INTERFACE DEFINITION
4	INTERFACE DATUM TARGETS

MATING INTERFACE CHART			
DESCRIPTION	COLOR	MODEL NUMBER	KEY
1x4, KEY A, BLACK	BLACK	349684801	A
1x4, KEY B, LIGHT GRAY	LIGHT GRAY	349684802	B
1x4, KEY C, DARK GRAY	DARK GRAY	349684803	C
1x4, KEY D, STONE GRAY	STONE GRAY	349684804	D

NOTES: VALID UNLESS OTHERWISE SPECIFIED

1. GENERAL:

REFER TO "SAE/USCAR 12 CONNECTOR GUIDELINES" AND "SAE/USCAR 2 PERFORMANCE SPECIFICATION FOR AUTOMOTIVE ELECTRICAL CONNECTOR SYSTEMS" FOR ADDITIONAL REQUIREMENTS.

2. DESIGN - MATERIALS:

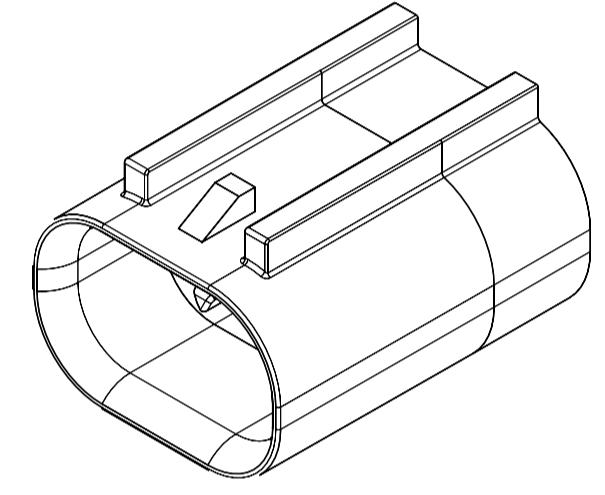
- a. HOUSING: SPS/NYLON 20% GLASS FILLED OR EQUIVALENT  
FLAMMABILITY REQUIREMENT: PER ISO3795 OR GM3191
  - 1. BURN RATE 100mm/MIN MAXIMUM
  - 2. MATERIAL MUST BE SELF EXTINGUISHING
- b. BLADE TERMINAL: SEE MOLEX SALES DRAWING 347350050. FOR MATERIAL, DIMENSIONAL, PLATING AND COATING REQUIREMENTS AND ANY BLADE TERMINAL DESIGN INFORMATION NOT SHOWN ON REFERENCED OR THIS DRAWING SEE EWCAP DWG NO. EWCAP-001.
  - 1. TIN PLATING: 2.5-4.0 MICROMETERS MATTE TIN OVER 1.25-2.25 MICROMETERS DUCTILE SULFAMATE NICKEL
  - 2. SILVER PLATING: 1.9-3.3 MICROMETERS SILVER OVER 1.0-1.8 MICROMETERS DUCTILE SULFAMATE NICKEL.  
ANTI-TARNISH: SYNTHETIC HYDROCARBON CONTACT SURFACE FINISH OR EQUIVALENT APPLIED WITHOUT VOID TO CONTACT AREA
- c. STANDARD COLORS FOR KEYING (SEE CHART). DEVIATION REQUIRES APPROVAL OF AUTHORIZED PERSON.

3. DESIGN - GEOMETRY:

- a. THE 3-D CAD DATA IS BASIC (WITHOUT TOLERANCE) AND THE MASTER FOR THIS PART WITH THE EXCEPTION OF UNDERLINED DIMENSIONS. DIMENSIONAL INFORMATION NOT SHOWN IN THIS DRAWING IS DEFINED BY THE DATA FILE AT ITS LATEST REVISION.
- b. PRODUCT DESIGN MODEL NUMBER(S): SEE MATING INTERFACE CHART
- c. GEOMETRIC DIMENSIONS AND TOLERANCES PER ASME Y14.5M - 2009
- d. GENERAL TOLERANCES: SEE TITLE BLOCK
- e. EDGES AND UNDIMENSIONED DETAILS PER ISO13715
- f. CORNERS SHOWN AS SHARP TO BE R 0.2 MAX.
- g. LETTERING SHALL BE 0.15 MAX RAISED IN 0.25 MAX RECESS PAD.  
THIS INCLUDES RECYCLING CODE, CAVITY ID, VENDOR IDENTIFICATION, AND CUSTOMER MATERIAL NUMBER.  
(FOR SMALL PARTS: LETTERING SHALL BE 0.10 MAX RAISED IN 0.15 MAX RECESS PAD)

4. DESIGN - MANUFACTURING:

- a. ALLOWABLE FLASH MAX 0.20 HIGH BY MAX 0.13 THICK.
- b. ALLOWABLE SPLIT/PARTING LINE MISMATCH 0.2 MAX.
- c. EJECTOR PIN MARKS TO BE FLUSH TO 0.25 MAX DEPRESSED. LOCATION MUST BE APPROVED BY PRODUCT ENGINEERING. EJECTOR PIN MARKS NOT PERMISSIBLE ON OR NEAR DATUM TARGET AREA.
- d. ALLOWABLE GATE VESTIGE FLUSH TO 0.25 MAX RECESS. LOCATION MUST BE APPROVED BY PRODUCT ENGINEERING.
- e. NO EXTERNAL MOLD RELEASE AGENT ALLOWED DURING MANUFACTURING.
- f. NO PARTING LINES, MISMATCHES OR EJECTOR MARKS PERMISSIBLE WITHIN THE INDICATED SURFACE. TOOLING FOR INDICATED SURFACE MUST BE PROCESSED TO A SURFACE FINISH OF NTMA #70 (400 PAPER).
- g. BLADE TERMINAL ENVIRONMENTAL BARRIER (USED WITH SILVER PLATED TERMINALS) SHALL NOT BE PRESENT ON ANY SURFACE OTHER THAN THE BLADE TERMINALS
- h. NO PARTING LINES, FLASH, MISMATCHES OR EJECTOR MARKS PERMISSIBLE ON THE INDICATED NOSE SURFACE OR TRANSITION TO INTERNAL SHROUD SURFACE.



1X4

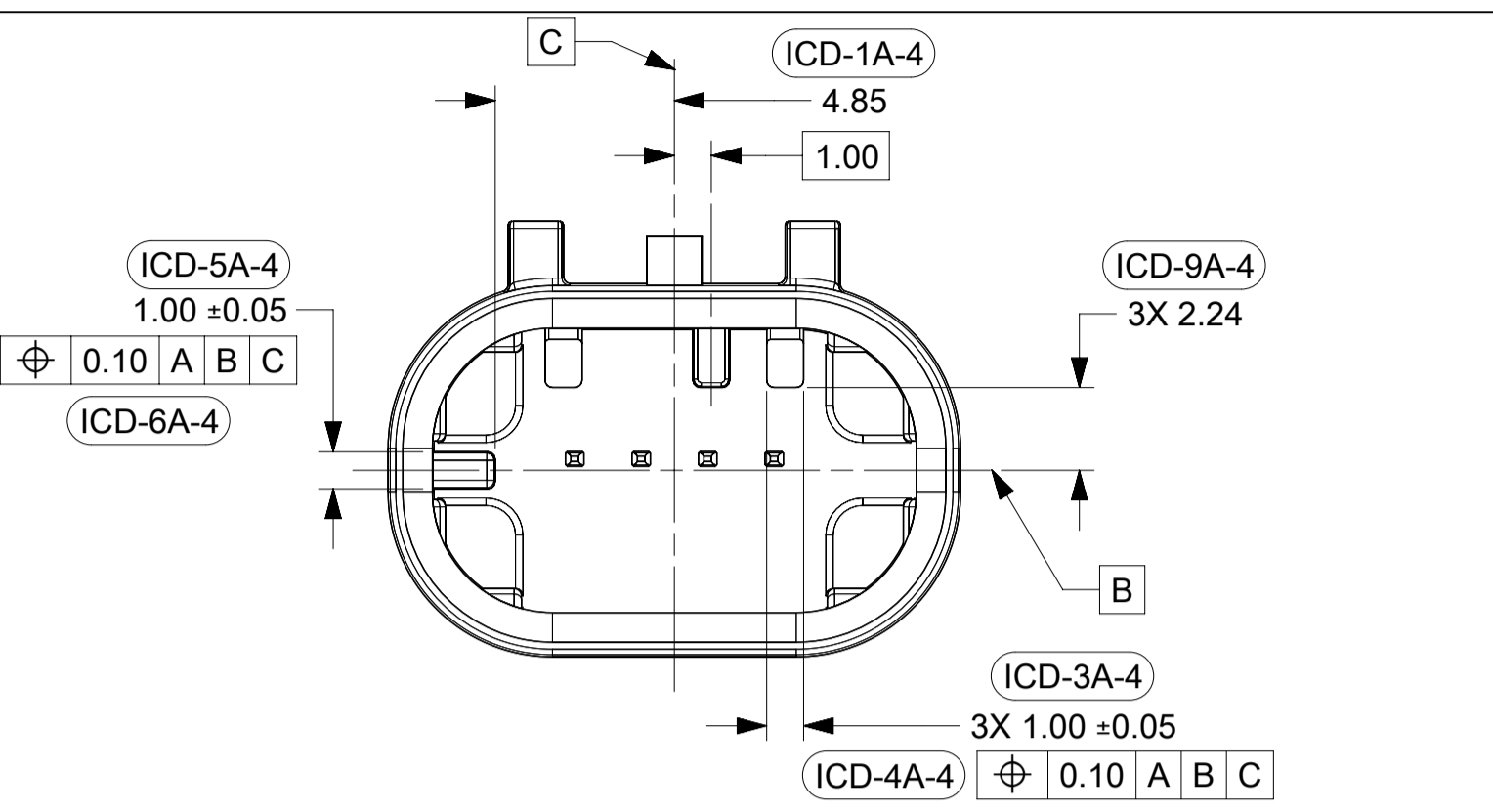
REV	REV DESCRIPTION
C4	REMOVED ICD-27A. CHANGED ICD-12 AND ICD-28
C3	ADDED SEE NOTE 2b TO PIN DETAILS, SHEET 3
C2	REMOVED SUBJECT TO CHANGE NOTE
C1	REVISED NOTES. SIMPLIFIED DIMENSIONING. REMOVED ICD-17, 19, 29, 31. ADDED ICD-3A, 7A, 8A, 9A, 27A. ADDED FP TO 12, 13, 16.
C	GEOMETRY CHANGES

INSPECTION NUMBER LOG	
LAST NUMBER:	ICD-30
ADDED:	
REMOVED:	ICD-27A

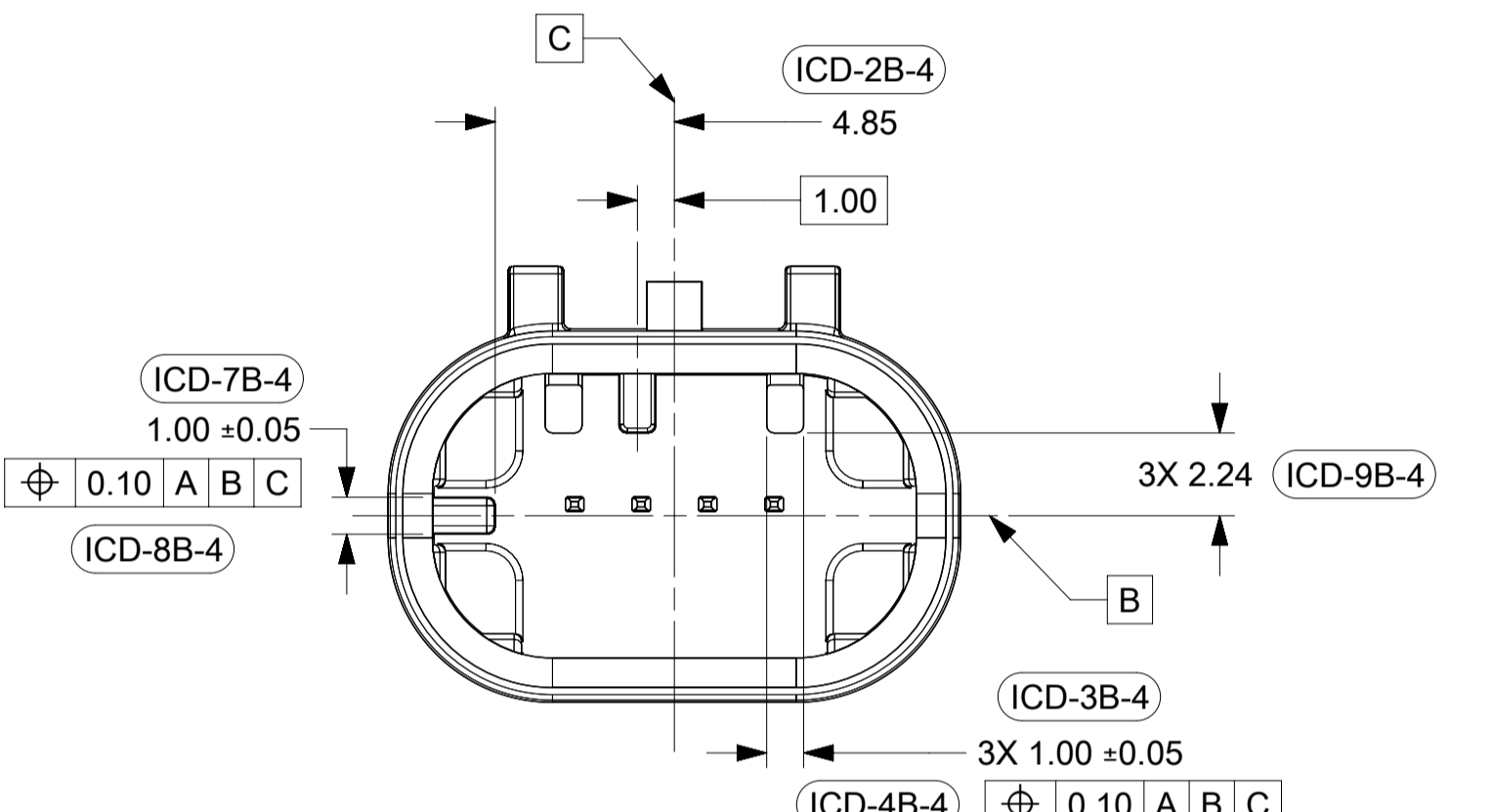
QUALITY SYMBOLS FA = 0 FE = 0 FE = 0 ▽ = 0 C = 0 ☒ = 0 ■ = 0 ▽ = 0	THIS DRAWING CONTAINS INFORMATION THAT IS PROPRIETARY TO MOLEX ELECTRONIC TECHNOLOGIES, LLC AND SHOULD NOT BE USED WITHOUT WRITTEN PERMISSION							
	EC NO: 659036 DRWN: ML1149 CHKD: JCONDON APPR: JCONDON	2021/02/26 2021/03/24 2021/03/24	GENERAL TOLERANCES (UNLESS SPECIFIED) mm ANGULAR TOL ± 3.0 ° 4 PLACES ± 3 PLACES ± 2 PLACES ± 0.1 1 PLACE ± 0.2 0 PLACES ± DRAFT WHERE APPLICABLE MUST REMAIN WITHIN DIMENSIONS	DIMENSION UNITS mm SCALE 1:1 DRWN BY MNS02 DATE 2016/04/21 CHK'D BY DATE APPR BY KDEKOSKI DATE 2016/05/04 DRAWING SIZE A1 THIRD ANGLE PROJECTION			MINI50 SEALED 1X4 INTERFACE PRODUCT CUSTOMER DRAWING	
	C4		SERIES 34968	MATERIAL NUMBER SEE CHART			CUSTOMER	
	RELEASE STATUS P1 RELEASE DATE 2021/03/24 15:08:42		DOCUMENT NUMBER 349684800	DOC TYPE PSD			DOC PART 000	SHEET NUMBER 1 OF 4

SHEET DESCRIPTION  
KEY CONFIGURATIONS

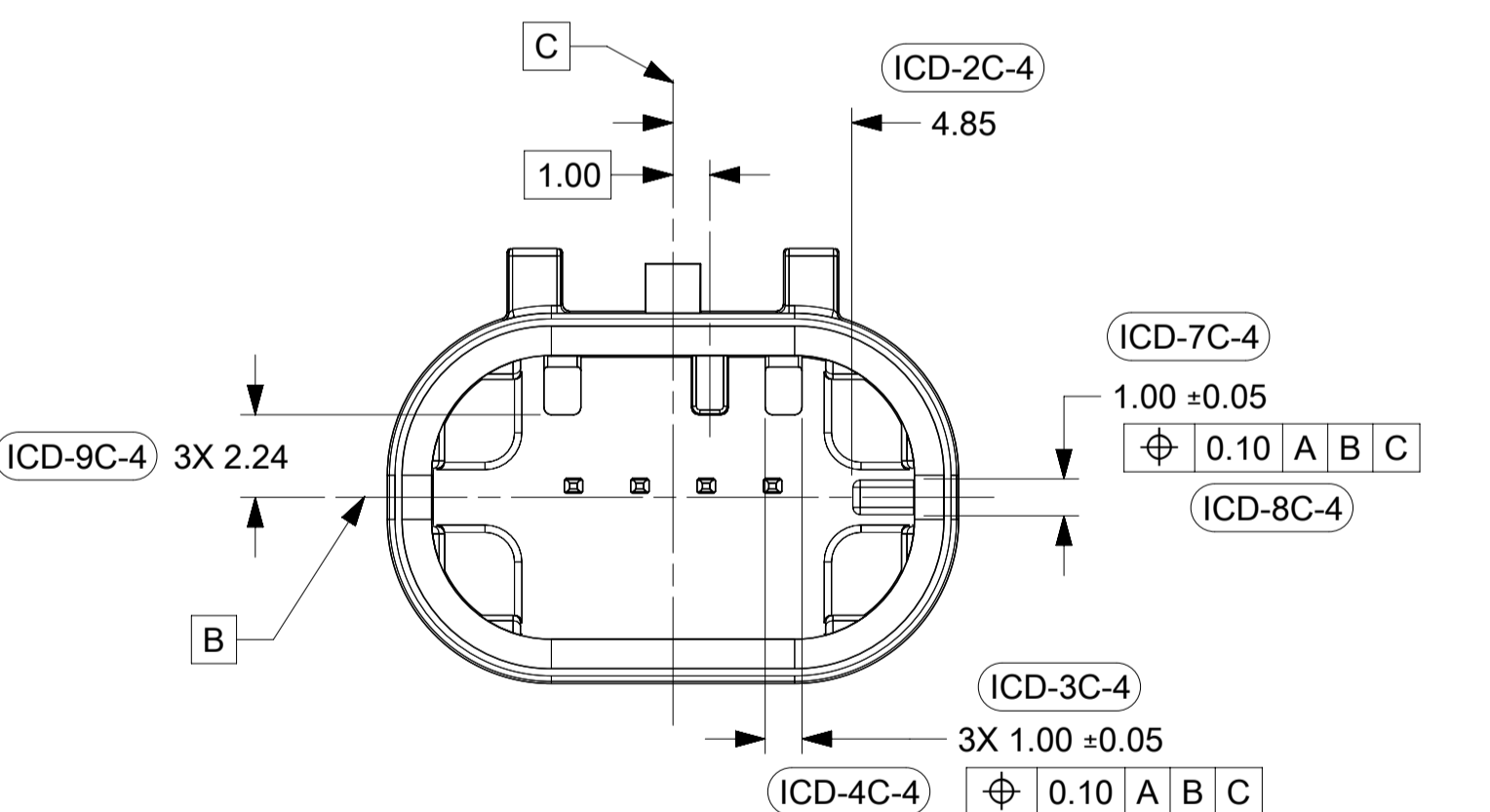
1X4



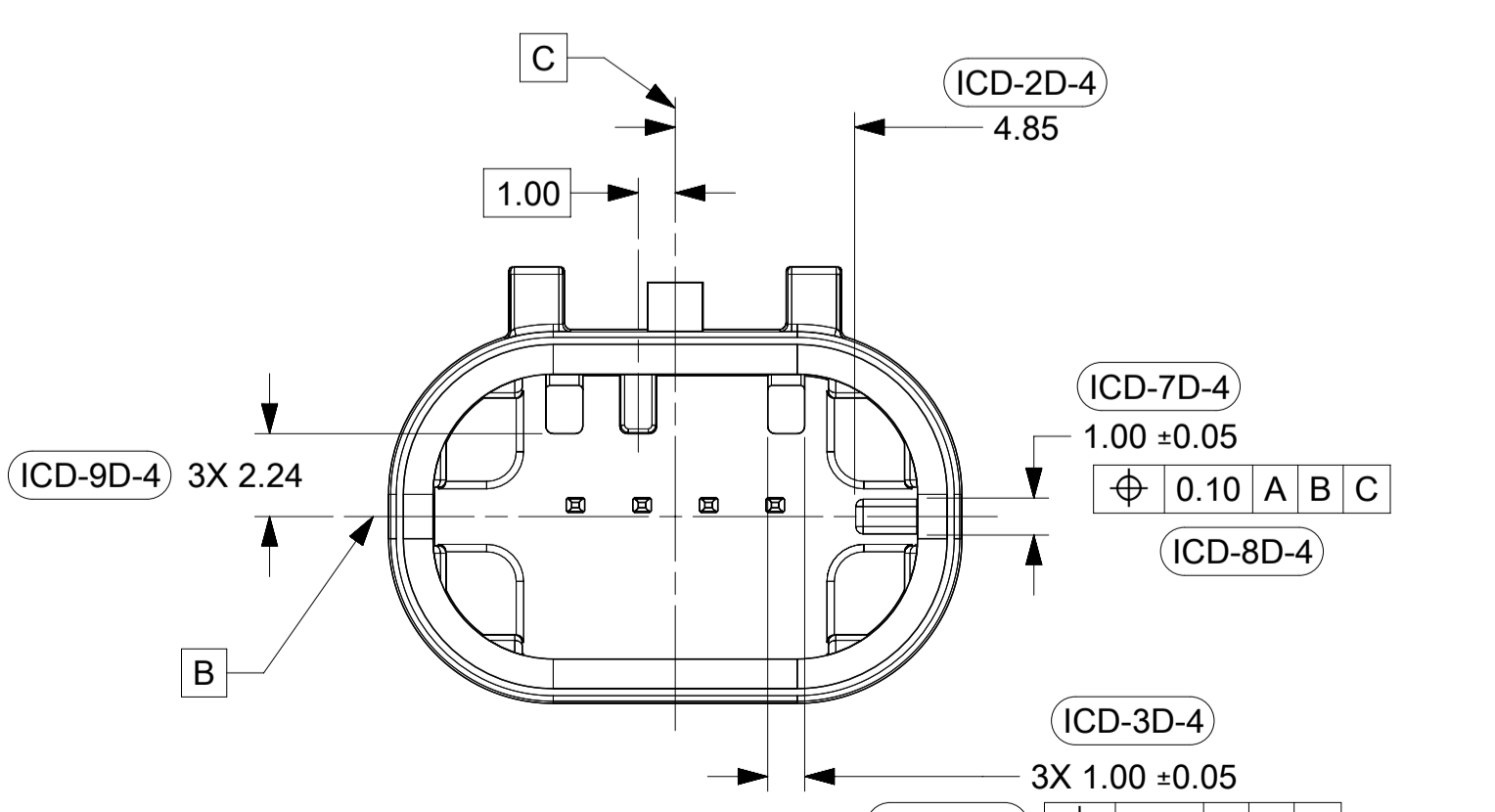
KEY OPTION A



KEY OPTION B



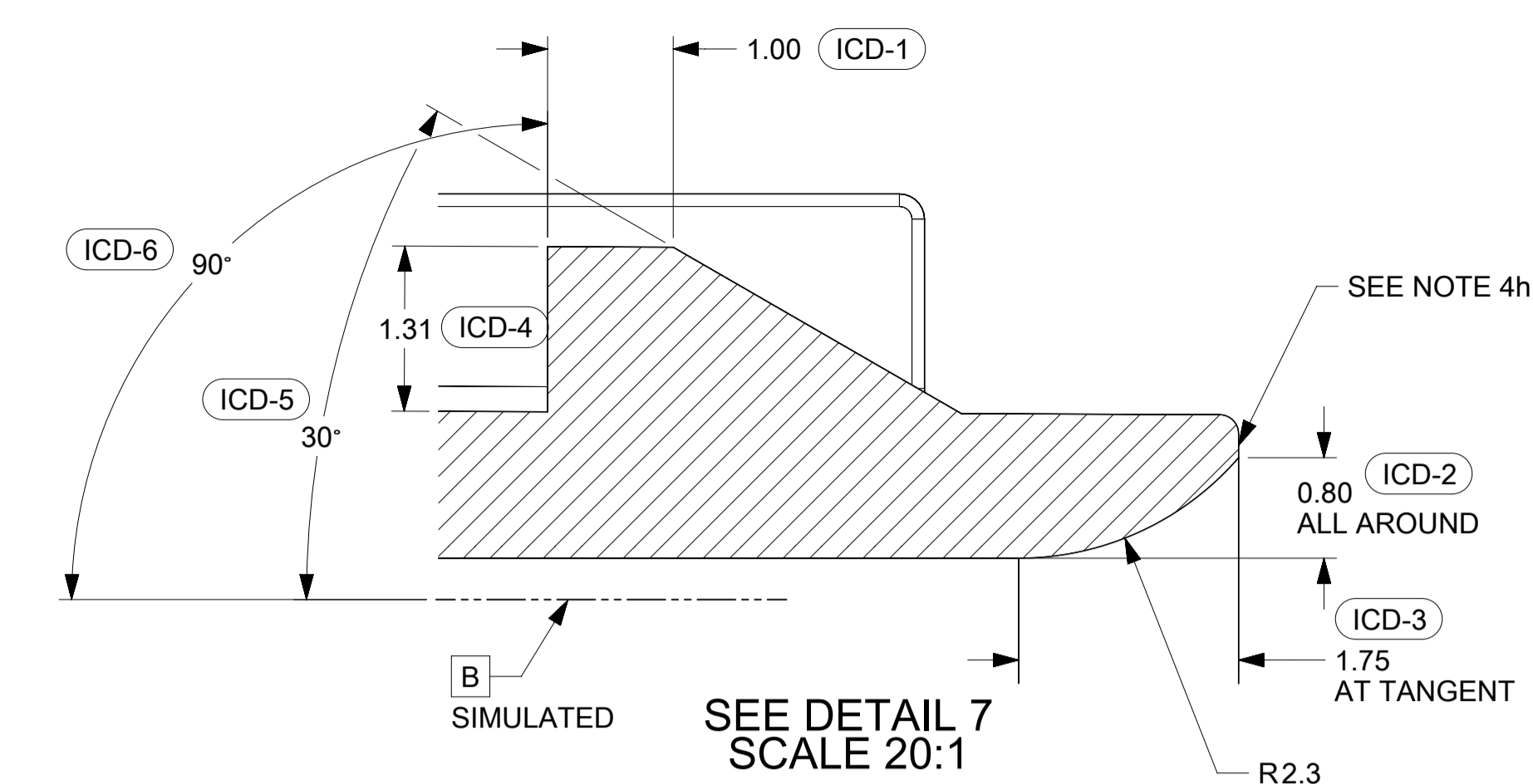
KEY OPTION C



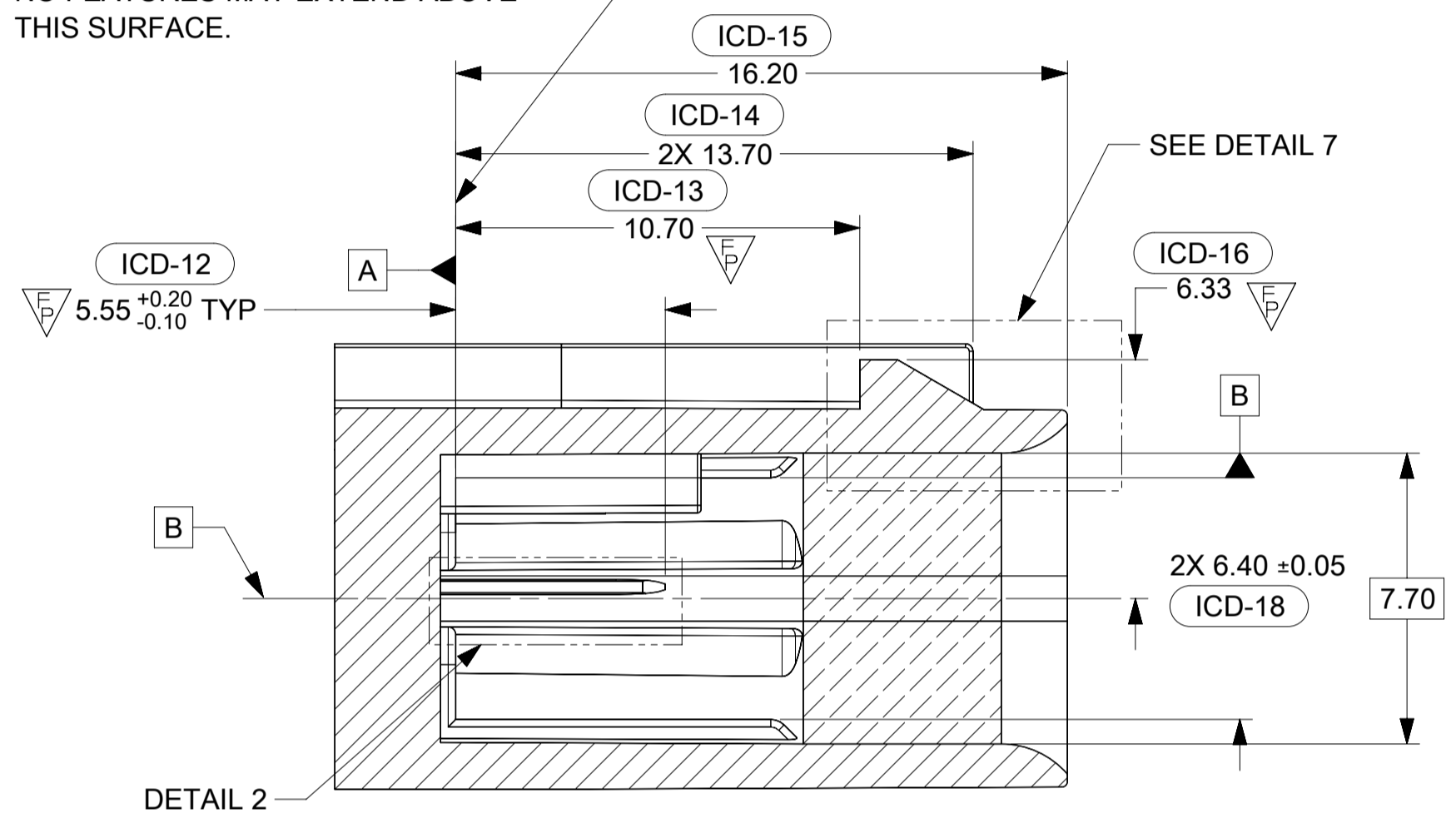
KEY OPTION D

<p>QUALITY SYMBOLS</p> <p>▽ = 0</p> <p>▽ = 0</p> <p>▽ = 0</p> <p>▽ = 0</p> <p>▽ = 0</p> <p>▽ = 0</p> <p>▽ = 0</p> <p>▽ = 0</p> <p>▽ = 0</p> <p>▽ = 0</p>	THIS DRAWING CONTAINS INFORMATION THAT IS PROPRIETARY TO MOLEX ELECTRONIC TECHNOLOGIES, LLC AND SHOULD NOT BE USED WITHOUT WRITTEN PERMISSION												
	EC NO: 659036	DRWN: ML149	CHKD: JCONDON	APPR: JCONDON	2021/02/26	2021/03/24	2021/03/24	GENERAL TOLERANCES (UNLESS SPECIFIED)	DIMENSION UNITS	SCALE			
					ANGULAR TOL ± 3.0 °		mm		1:1	MINI50 SEALED 1X4 INTERFACE			
					4 PLACES ±		MNS02		2016/04/21			PRODUCT CUSTOMER DRAWING	
					3 PLACES ±		CHK'D BY		DATE			SERIES	
					2 PLACES ± 0.1		APPR BY		DATE			MATERIAL NUMBER	
					1 PLACE ± 0.2		KDEKOSKI		2016/05/04			CUSTOMER	
					0 PLACES ±		DRAWING SIZE		THIRD ANGLE PROJECTION			DOCUMENT NUMBER	
					DRAFT WHERE APPLICABLE MUST REMAIN WITHIN DIMENSIONS		A1					34968	
												SEE CHART	
										349684800			
										PSD			
										000			
										2 OF 4			

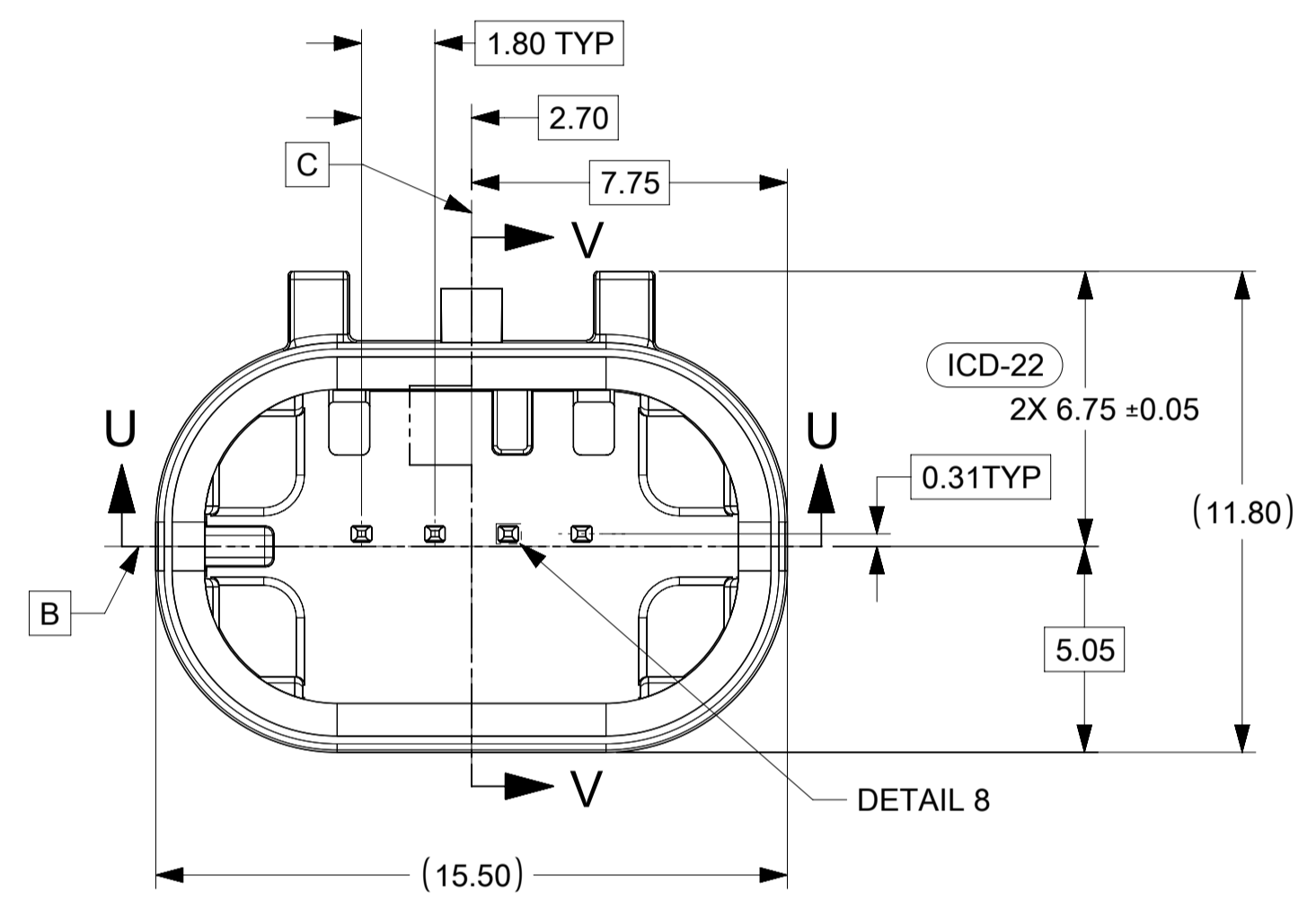
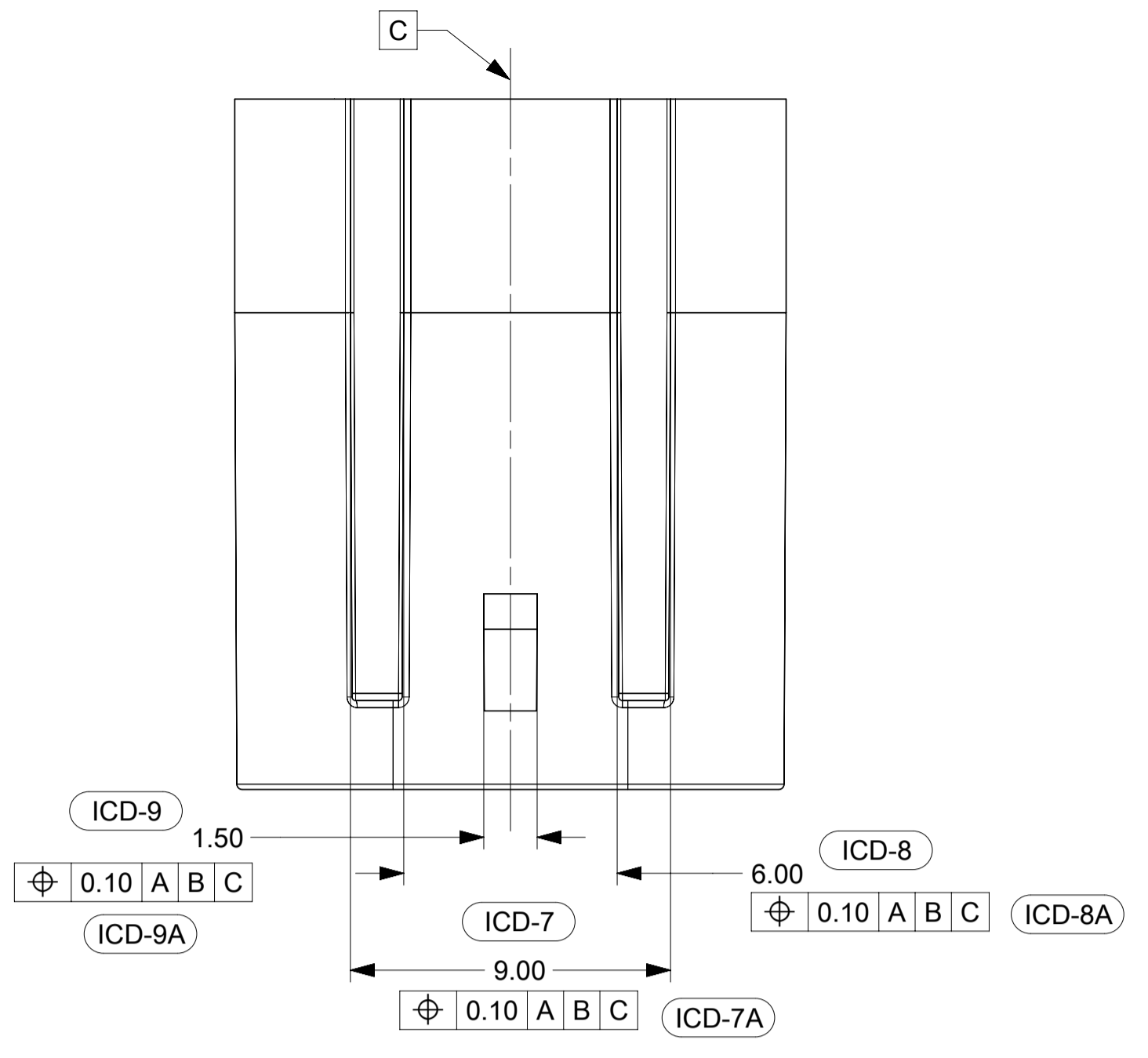
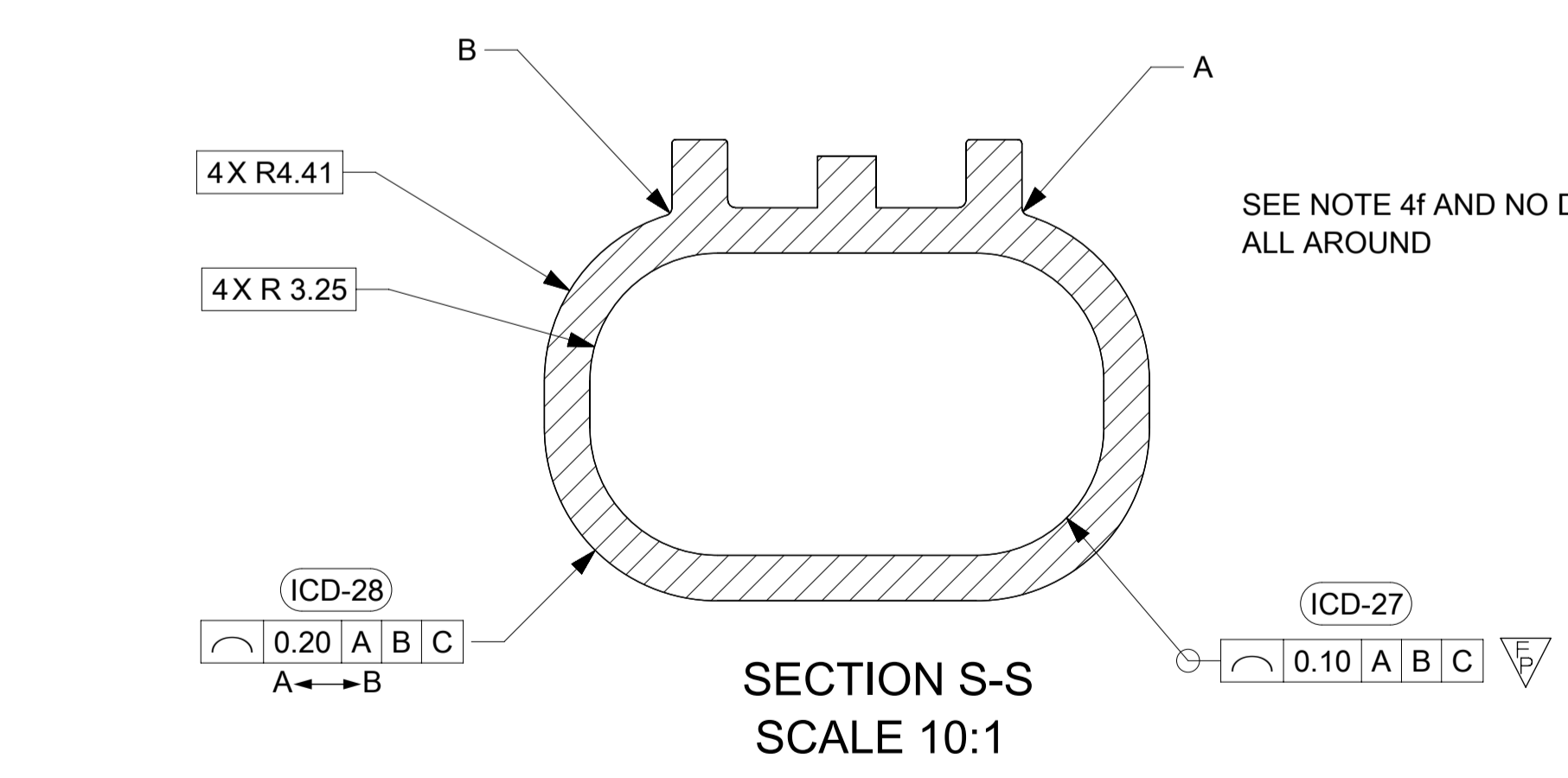
**SHEET DESCRIPTION**  
CONNECTOR INTERFACE DEFINITION



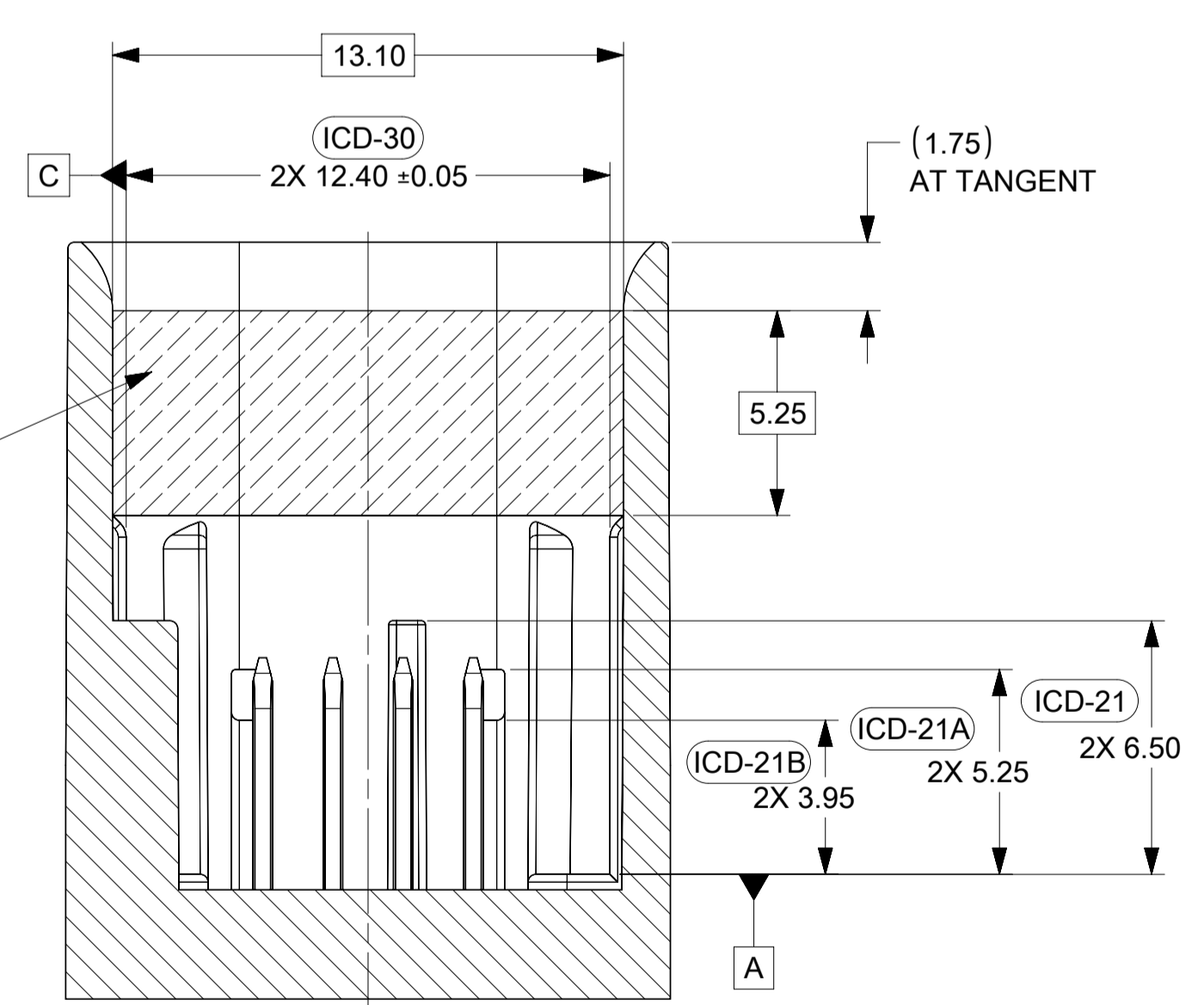
CONSTRUCTION BELOW THIS SURFACE IS NOT CONTROLLED BY THIS INTERFACE. NO FEATURES MAY EXTEND ABOVE THIS SURFACE.



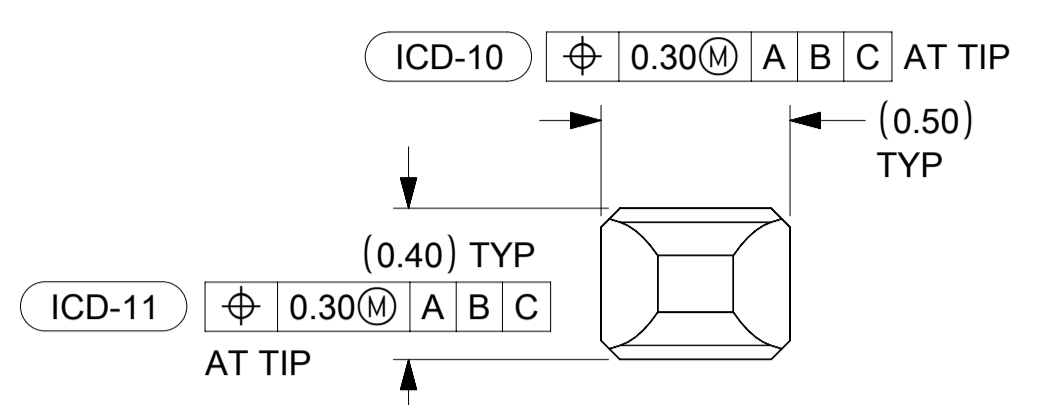
SECTION V-V



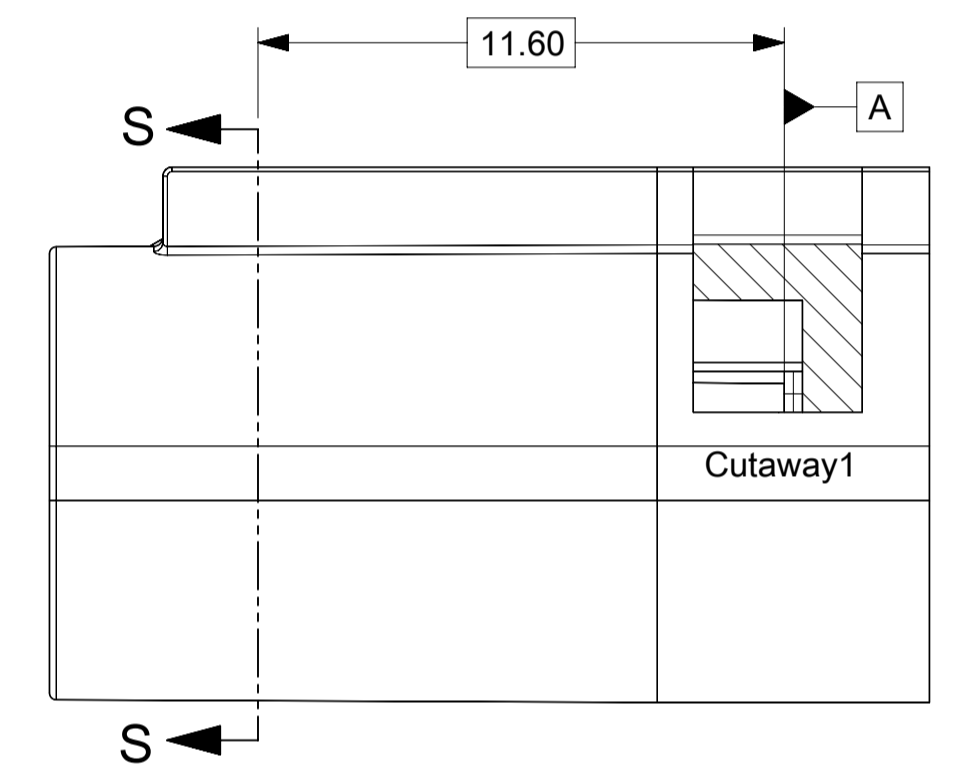
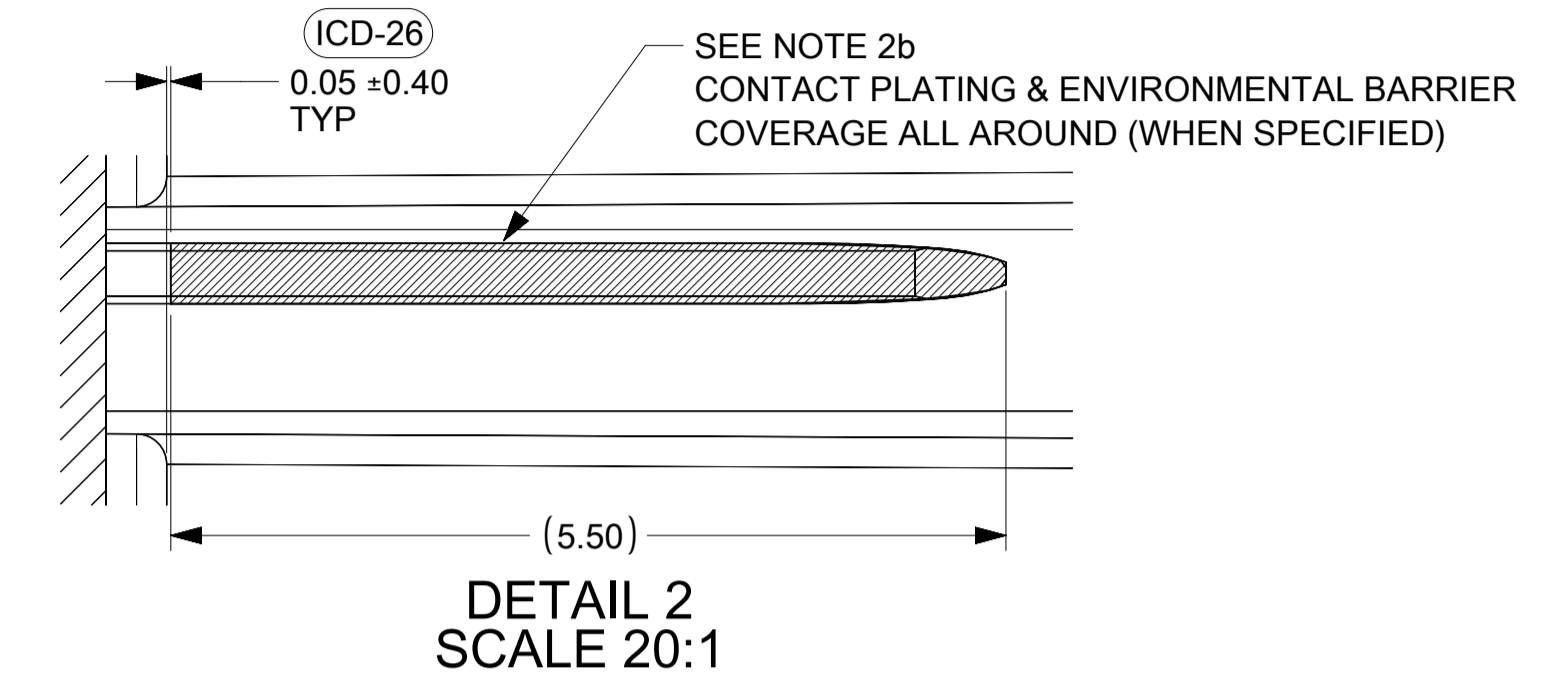
SECTION U-U



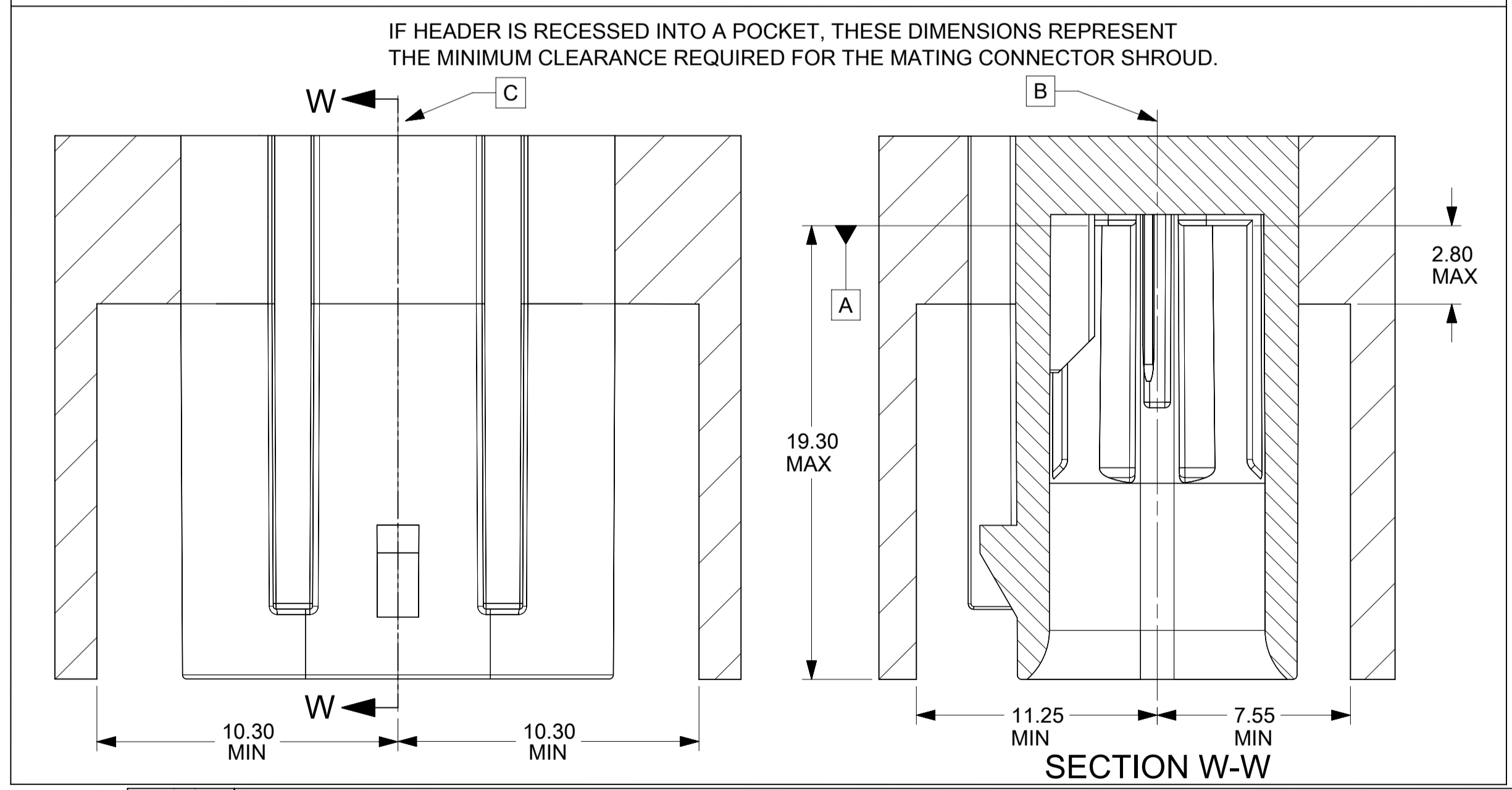
SEE NOTE 2b  
REFER TO MOLEX SALES DWG 347350050  
AND EWCAP DWG. NO. EWCAP-001 REV. P 050-T001  
0.50 TERMINAL BLADE CONFIGURATION



DETAIL 8 SCALE 50:1



**PACKAGING FRAME**



QUALITY SYMBOLS	THIS DRAWING CONTAINS INFORMATION THAT IS PROPRIETARY TO MOLEX ELECTRONIC TECHNOLOGIES, LLC AND SHOULD NOT BE USED WITHOUT WRITTEN PERMISSION		GENERAL TOLERANCES (UNLESS SPECIFIED)		DIMENSION UNITS	SCALE	
	□ = 0	□ = 0	□ = 0	□ = 0	mm	1:1	
□ = 0	□ = 0	□ = 0	□ = 0	4 PLACES ±	DRWN BY	DATE	
□ = 0	□ = 0	□ = 0	□ = 0	3 PLACES ±	MNS02	2016/04/21	
□ = 0	□ = 0	□ = 0	□ = 0	2 PLACES ±	CHK'D BY	DATE	
□ = 0	□ = 0	□ = 0	□ = 0	1 PLACE ±	KDEKOSKI	2016/05/04	
□ = 0	□ = 0	□ = 0	□ = 0	0 PLACES ±	APPR BY	DATE	
□ = 0	□ = 0	□ = 0	□ = 0	DRAFT WHERE APPLICABLE MUST REMAIN WITHIN DIMENSIONS		DRAWING SIZE	
□ = 0	□ = 0	□ = 0	□ = 0	A1		THIRD ANGLE PROJECTION	
EC NO: 659036		DRWN: ML149		CHKD: JCONDON		APPR: JCONDON	
C4		REV		SERIES		MATERIAL NUMBER	
P1		RELEASE DATE		34968		SEE CHART	
2021/03/24		15:08:42		349684800		DOC TYPE	
				PSD		DOC PART	
				000		SHEET NUMBER	
						3 OF 4	

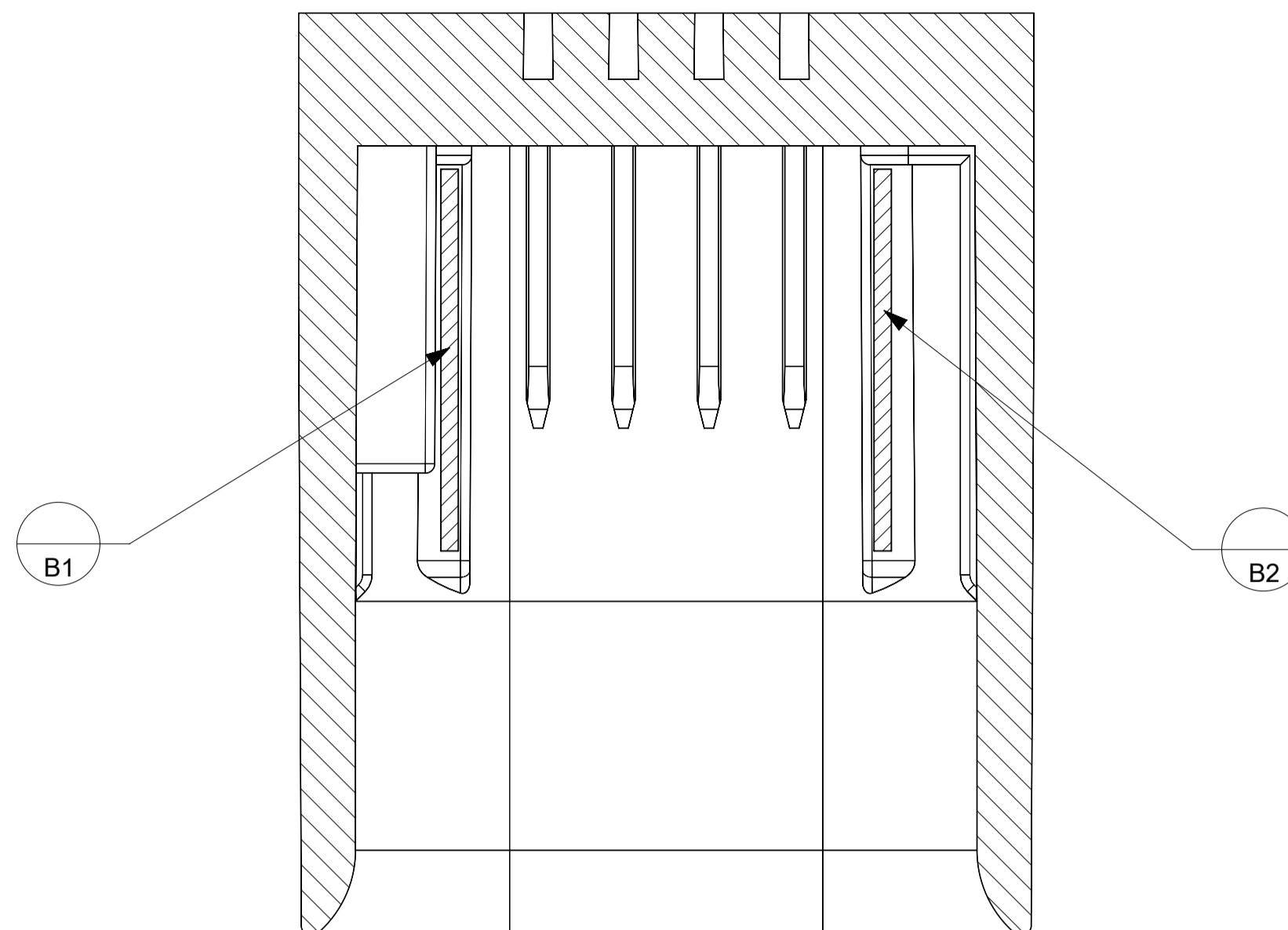
**molex**

MINI50 SEALED 1X4 INTERFACE

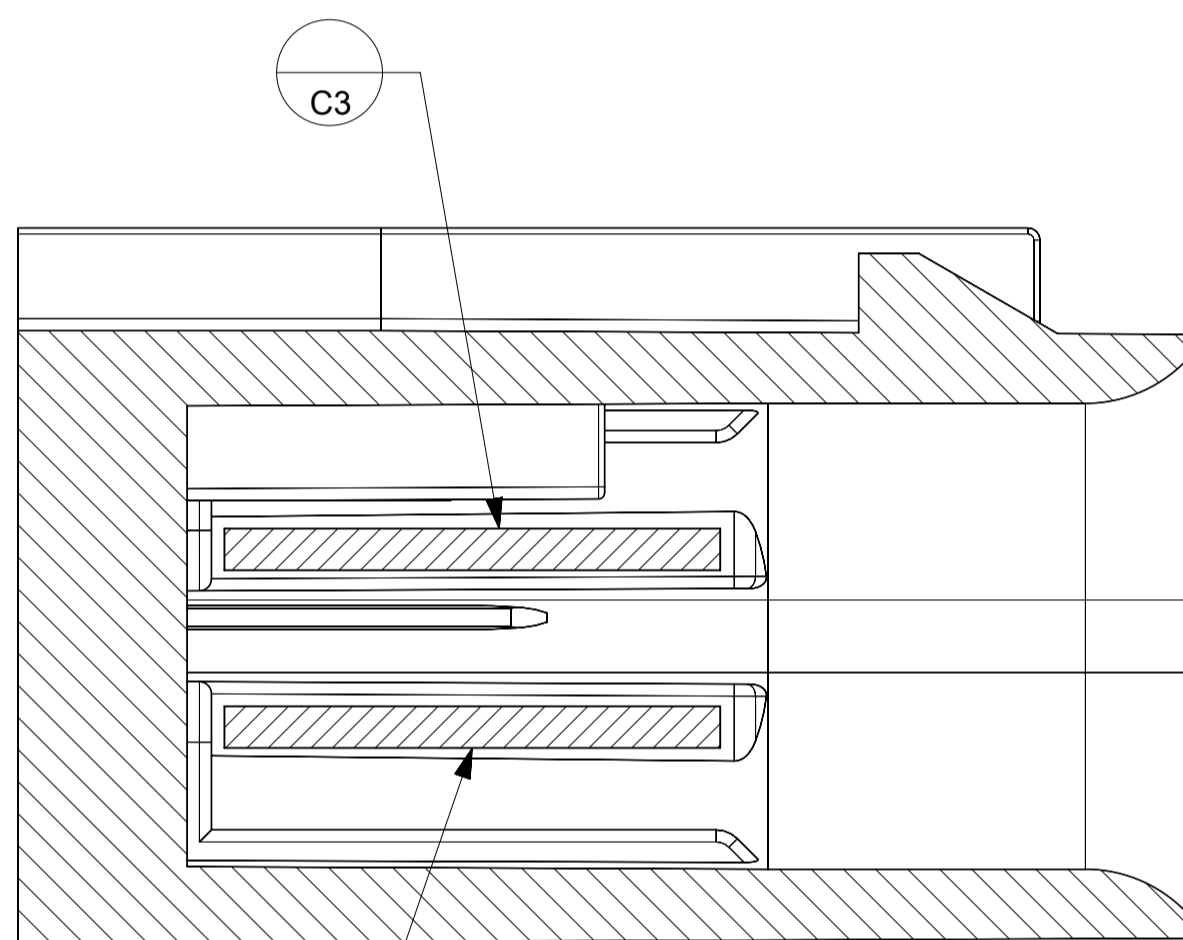
PRODUCT CUSTOMER DRAWING



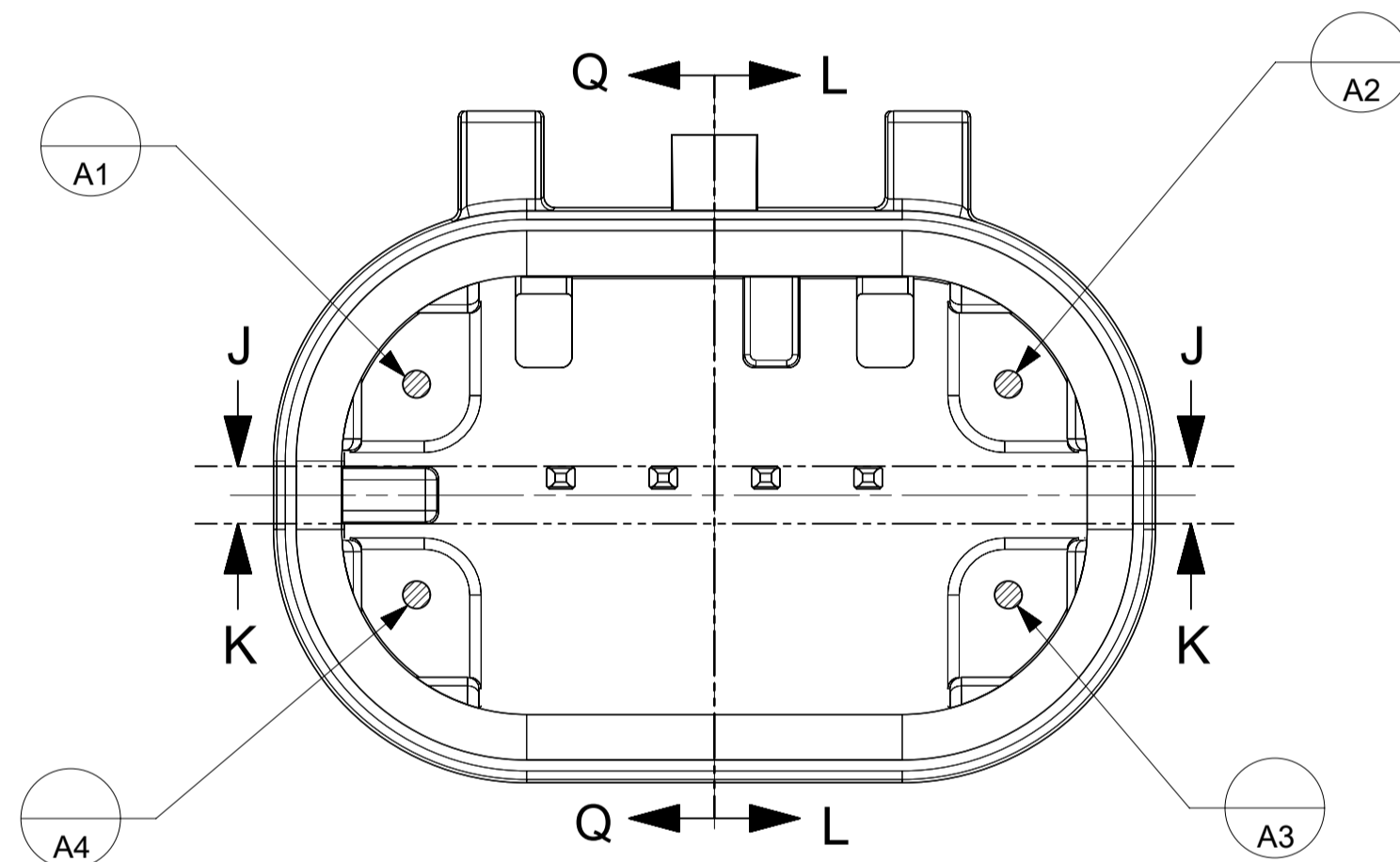
SHEET DESCRIPTION  
DATUM TARGETS



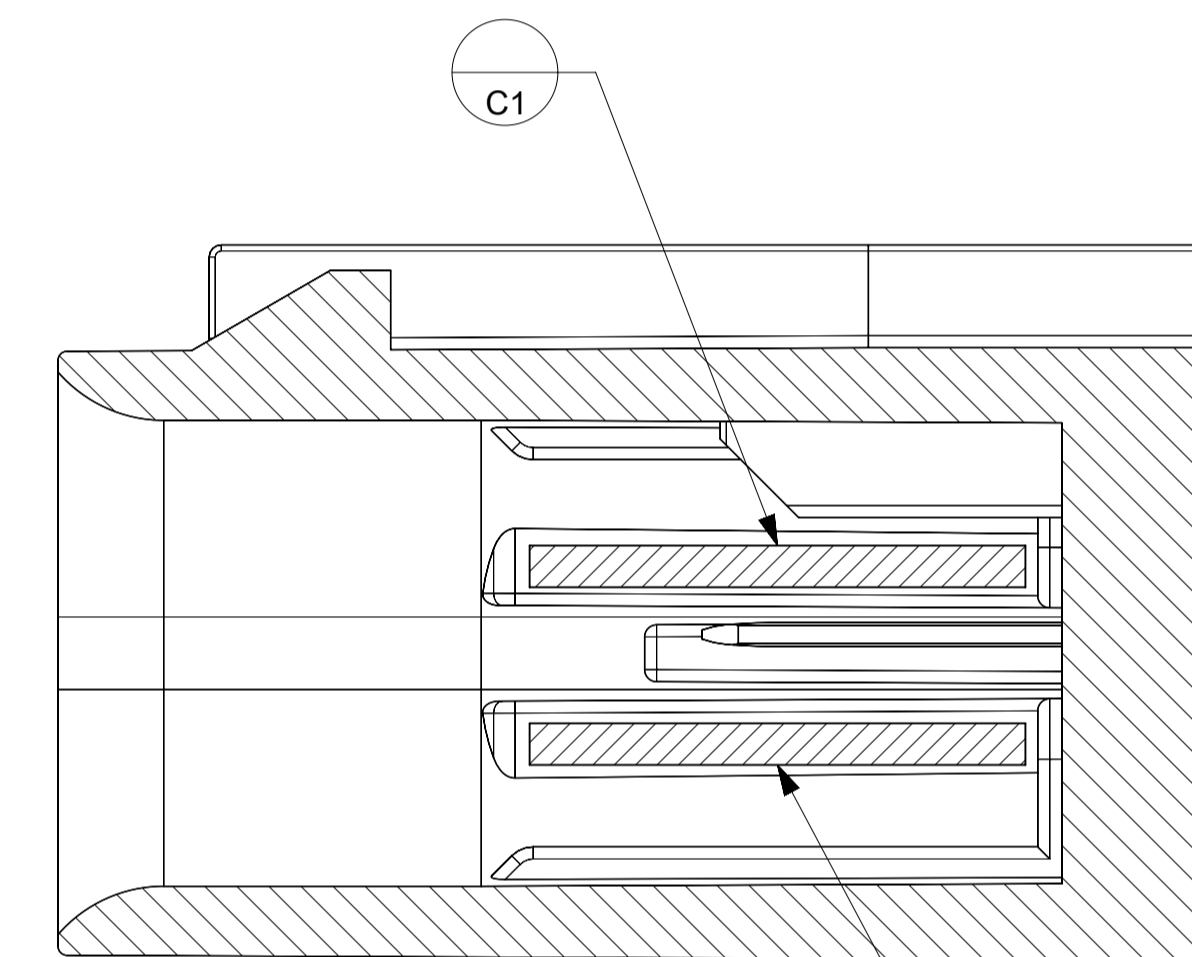
SECTION J-J  
SCALE 8:1



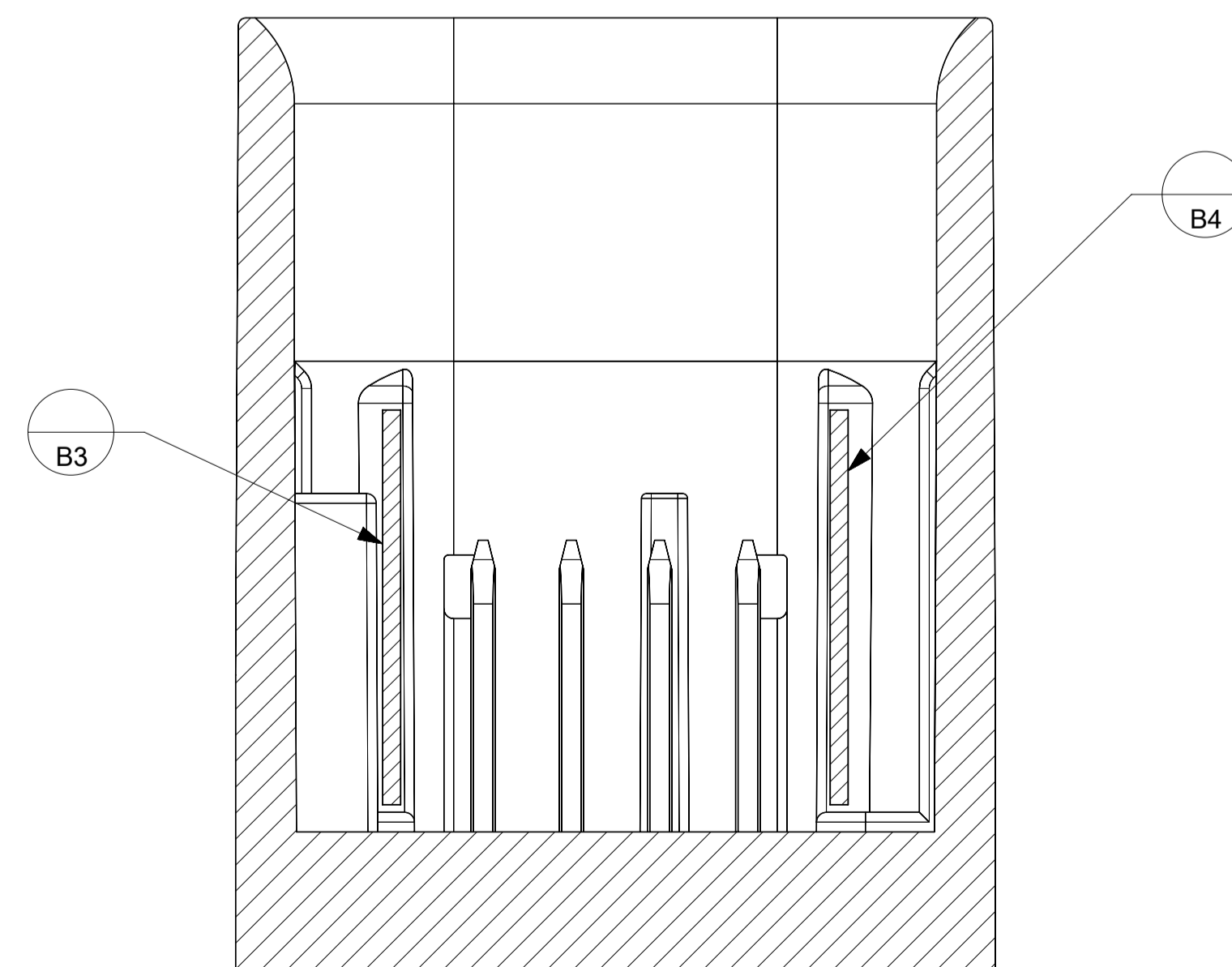
SECTION L-L  
SCALE 8:1



SECTION K-K  
SCALE 8:1



SECTION Q-Q  
SCALE 8:1



THIS DRAWING CONTAINS INFORMATION THAT IS PROPRIETARY TO MOLEX ELECTRONIC TECHNOLOGIES, LLC AND SHOULD NOT BE USED WITHOUT WRITTEN PERMISSION													
<b>QUALITY SYMBOLS</b> 	EC NO: 659036 DRWN: ML149 CHKD: JCONDON REV: APPR: JCONDON	2021/02/26		2021/03/24		2021/03/24		GENERAL TOLERANCES (UNLESS SPECIFIED)		DIMENSION UNITS	SCALE		
		mm		1:1		DRWN BY		DATE		MNS02		2016/04/21	
		4 PLACES ±		ANGULAR TOL ± 3.0 °		CHK'D BY		DATE		APPR BY		DATE	
		3 PLACES ±		2 PLACES ± 0.1		KDEKOSKI		2016/05/04		DRAWING SIZE		THIRD ANGLE PROJECTION	
		2 PLACES ± 0.2		0 PLACES ±		DRAFT WHERE APPLICABLE MUST REMAIN WITHIN DIMENSIONS		A1					
		SERIES		MATERIAL NUMBER		CUSTOMER		DOCUMENT NUMBER		DOC TYPE		DOC PART	SHEET NUMBER
		34968		SEE CHART				349684800		PSD		000	4 OF 4
		P1		RELEASE DATE		2021/03/24		15:08:42					
		RELEASE STATUS											

**molex**

MINI50 SEALED 1X4 INTERFACE

PRODUCT CUSTOMER DRAWING

SERIES MATERIAL NUMBER CUSTOMER

34968 SEE CHART

DOCUMENT NUMBER DOC TYPE DOC PART SHEET NUMBER

349684800 PSD 000 4 OF 4