

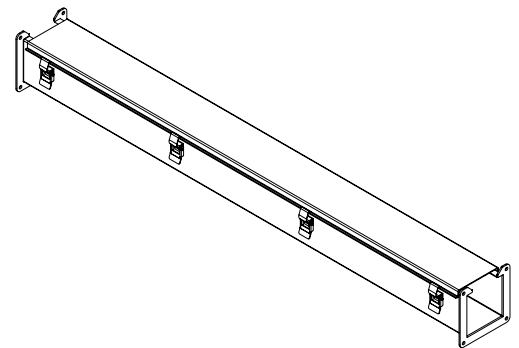


**PART No. 1485C48**

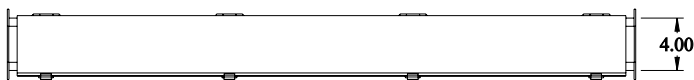
for more information visit  
[www.hammfg.com](http://www.hammfg.com)

Data subject to change without notice

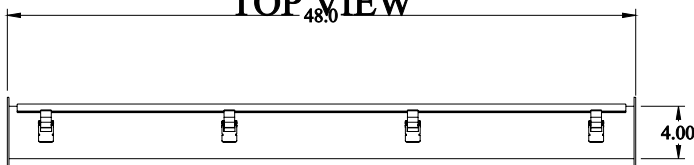
Isometric drawing Not to Scale



**ISOMETRIC VIEW**



**TOP VIEW**  
48.0



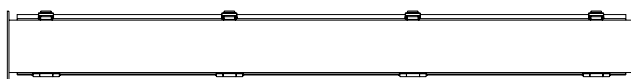
**FRONT VIEW**



**SIDE VIEW**



**SIDE VIEW**



**BOTTOM VIEW**