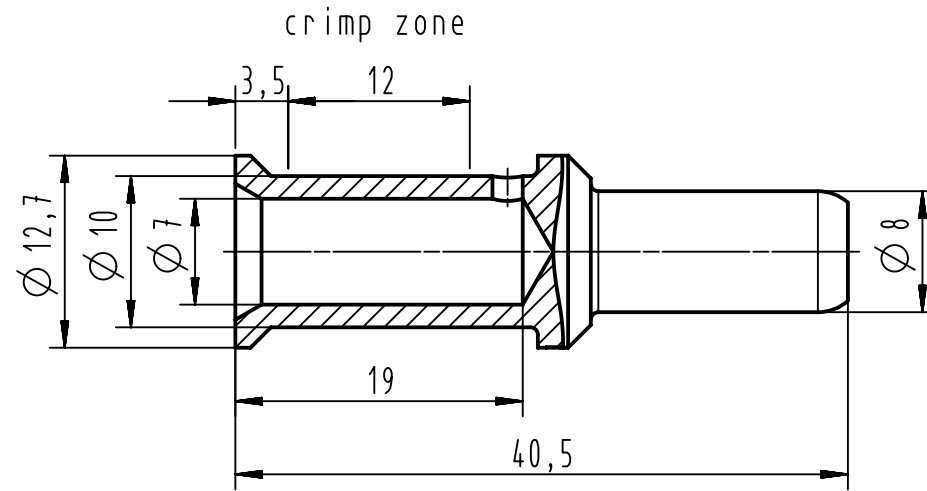


A

B

C

D

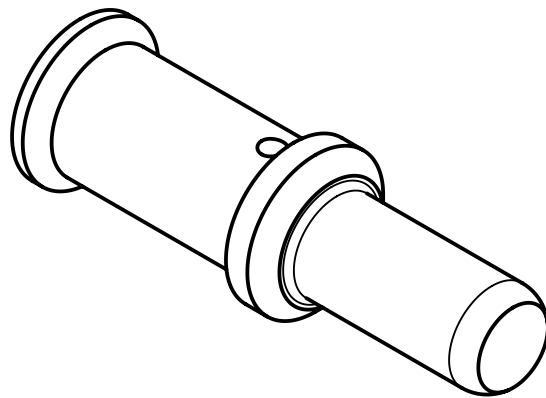


assembly notes see catalog

crimp zone acc. to DIN EN 46235
indicator 10

for stranded fine wire acc. to VDE 0295 class 5 / IEC 60228 class 5

wire gauge: 25mm²



	All Dimensions in mm Original Size DIN A4	Scale	Free size tol.		Ref.	
		2:1			Sub.	
	All rights reserved Department EL PD - DE	Created by	Inspected by	Standardisation	Date	State
		FINKEV	MOOR	SCHMIDTM	2013-05-16	Final Release
HARTING Electric GmbH & Co. KG D-32339 Espelkamp		Title Han TC100 male contact 25mm ²			Doc-Key / ECM-Nr. 100150731/UGD/009/A 500000061852	
		Type	Number		Rev.	Page
		TB	09 11 000 6125		A	1/1