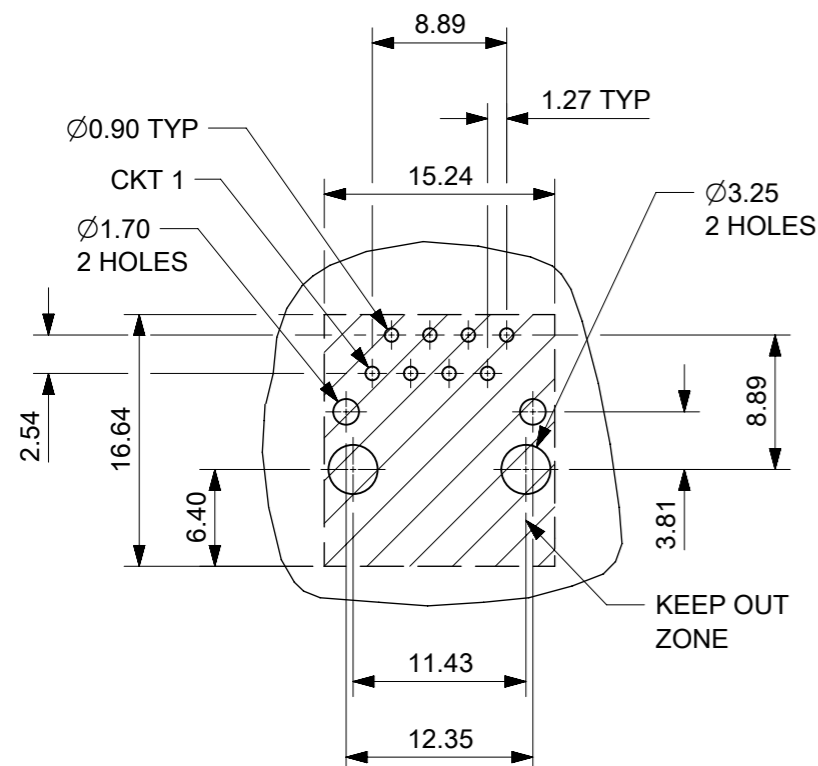
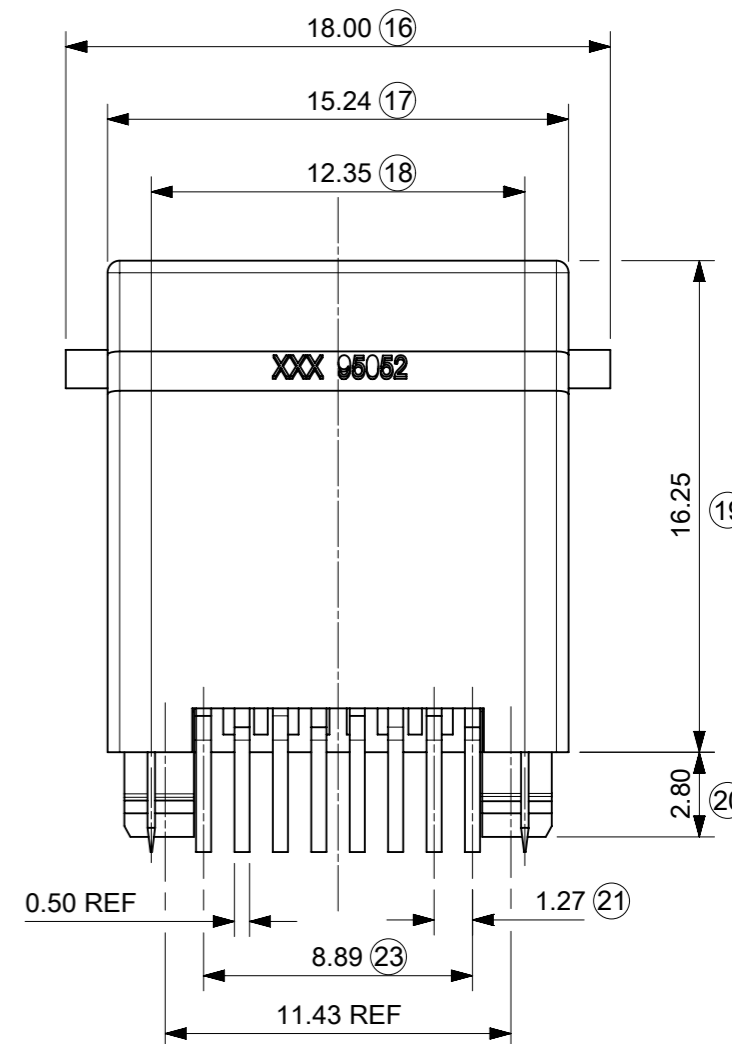
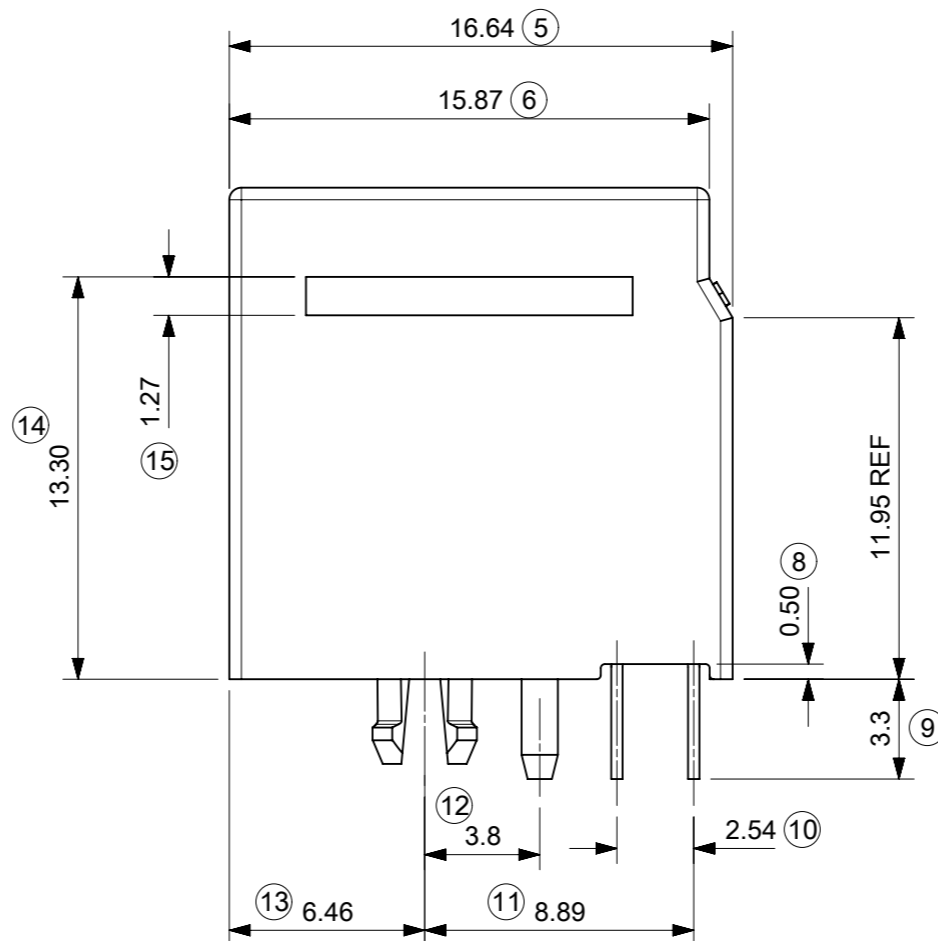
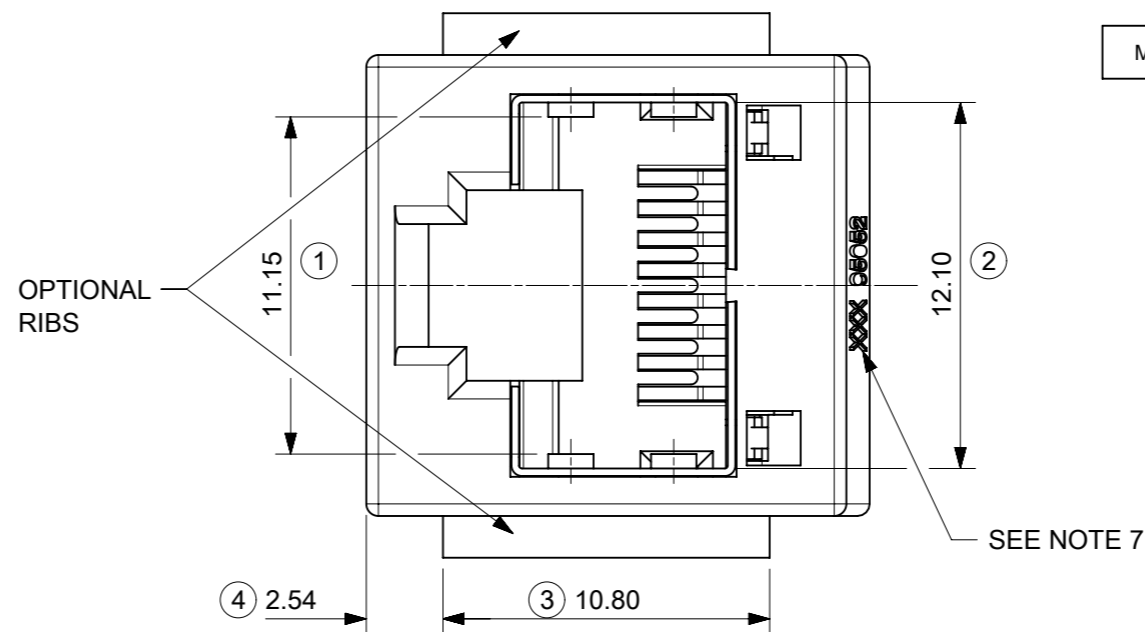


NOTES:

- MATERIAL:**
HOUSING: LCP FIBER GLASS FILLED UL 94-V0 COLOR: BLACK
TERMINAL: PHOSPOR BRONZE.
PLATING:
BASE FINISH: NICKEL
CONTACT SURFACE FINISH:
GOLD,
OR
GOLD FLASH OVER PALLADIUM NICKEL.
EXCEEDS PRODUCT REQUIREMENTS BASED ON PS-85507-001
SHIELD: COPPER ALLOY PLATED WITH TIN
- JACK FOR MATING WITH IEC 60603-7 AND TIA-1096-A SHIELDED PLUGS (95043 MOLEX SERIES).
- PRODUCT SPECIFICATION PS-85507-001
- PACKAGING SPECIFICATION PK-95022 (TRAY PACKAGING).
- EXCEEDS CATEGORY 5E PERFORMANCE.
- PC BOARD THICKNESS: 1.57
- MANUFACTURING I.D. CAN BE MG, MXF, MXI OR MXCH.
- APPLICATION SPECIFICATION: AS-85513-001

LAST INSPECTION NO.: 23
REMOVED INSPECTION NO: 7, 22

	JACKS WITH RIBS	JACKS WITHOUT RIBS	
MATERIAL NO.	85507-5001	85507-5002	



P.C.B. MOUNTING PATTERN
(VIEW FROM COMPONENT SIDE)
SCALE 2:1
ALL DIMENSIONS REFERENCE ONLY

THIS DRAWING CONTAINS INFORMATION THAT IS PROPRIETARY TO MOLEX ELECTRONIC TECHNOLOGIES, LLC AND SHOULD NOT BE USED WITHOUT WRITTEN PERMISSION																																		
DIMENSION UNITS		SCALE		CURRENT REV DESC: REMASTERED USING 3D MODELS																														
mm		4:1		<table border="1"> <tr> <td colspan="3">molex</td> </tr> <tr> <td colspan="3">TOP ENTRY HIGH SPEED SHIELDED MODULAR JACK THROUGH HOLE 8 CIRCUIT</td> </tr> <tr> <td colspan="3">PRODUCT CUSTOMER DRAWING</td> </tr> <tr> <td>DOCUMENT NUMBER</td> <td>DOC TYPE</td> <td>DOC PART</td> <td>REVISION</td> </tr> <tr> <td>SD-85507-501</td> <td>PSD</td> <td>001</td> <td>F2</td> </tr> <tr> <td>MATERIAL NUMBER</td> <td>CUSTOMER</td> <td colspan="2">SHEET NUMBER</td> </tr> <tr> <td>SEE CHART</td> <td>GENERAL MARKET</td> <td colspan="2">1 OF 1</td> </tr> </table>						molex			TOP ENTRY HIGH SPEED SHIELDED MODULAR JACK THROUGH HOLE 8 CIRCUIT			PRODUCT CUSTOMER DRAWING			DOCUMENT NUMBER	DOC TYPE	DOC PART	REVISION	SD-85507-501	PSD	001	F2	MATERIAL NUMBER	CUSTOMER	SHEET NUMBER		SEE CHART	GENERAL MARKET	1 OF 1	
molex																																		
TOP ENTRY HIGH SPEED SHIELDED MODULAR JACK THROUGH HOLE 8 CIRCUIT																																		
PRODUCT CUSTOMER DRAWING																																		
DOCUMENT NUMBER	DOC TYPE	DOC PART	REVISION																															
SD-85507-501	PSD	001	F2																															
MATERIAL NUMBER	CUSTOMER	SHEET NUMBER																																
SEE CHART	GENERAL MARKET	1 OF 1																																
GENERAL TOLERANCES (UNLESS SPECIFIED)				EC NO: 686824																														
ANGULAR TOL ± 2.0°				DRWN: AKUMAR19 2021/08/04																														
4 PLACES ±				CHK'D: KLANG 2022/01/11																														
3 PLACES ±				APPR: KLANG 2022/01/11																														
2 PLACES ± 0.15				INITIAL REVISION:																														
1 PLACE ± 0.25				DRWN: DBYRNES 2007/01/22																														
0 PLACES ±				APPR: EOMAHONY 2007/01/25																														
DRAFT WHERE APPLICABLE MUST REMAIN WITHIN DIMENSIONS		THIRD ANGLE PROJECTION		DRAWING		SERIES		MATERIAL NUMBER																										
		A3-SIZE		85507		SEE CHART		GENERAL MARKET																										