

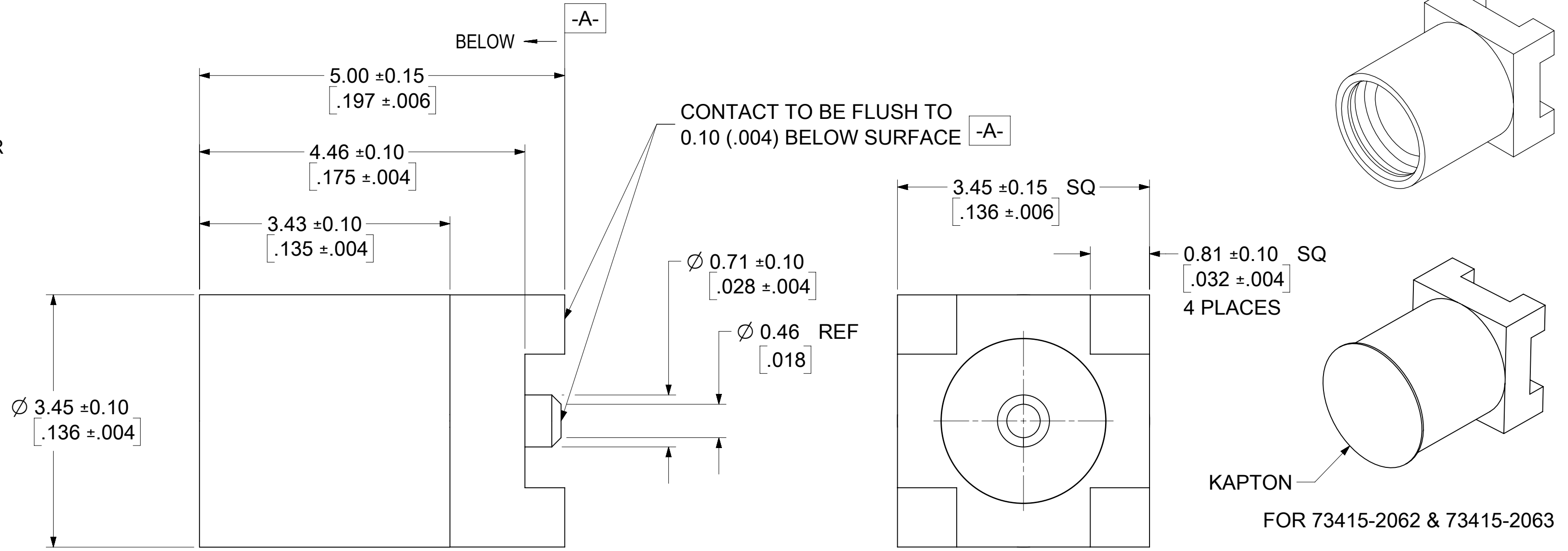
MATERIALS AND FINISHES

BODY BRASS
PLATED GOLD

CENTER CONTACT BERYLLIUM COPPER
PLATED GOLD

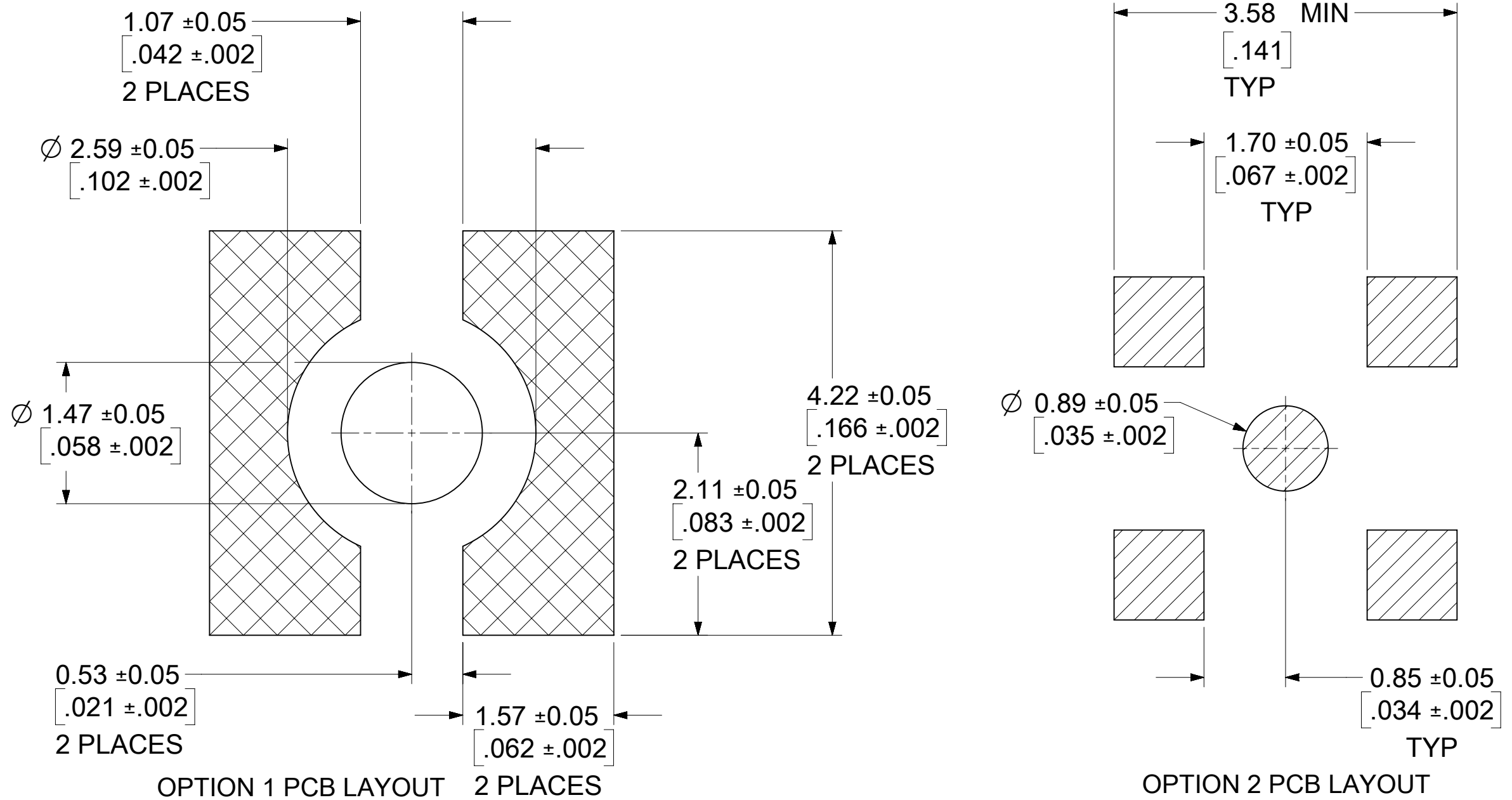
INSULATOR TEFLON

KAPTON
COLOR AMBER

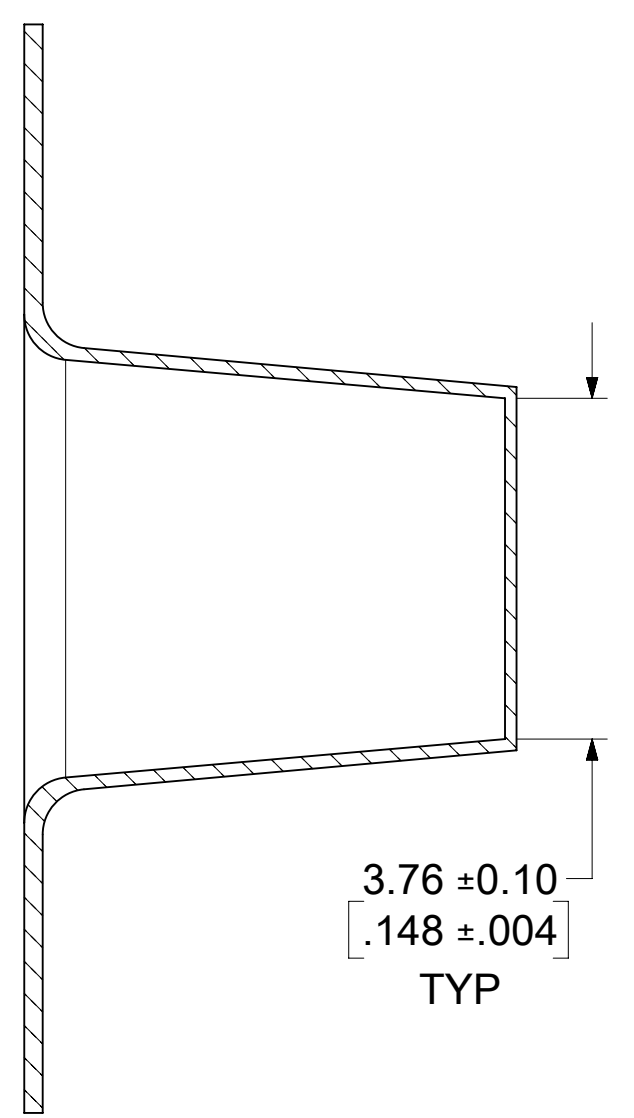
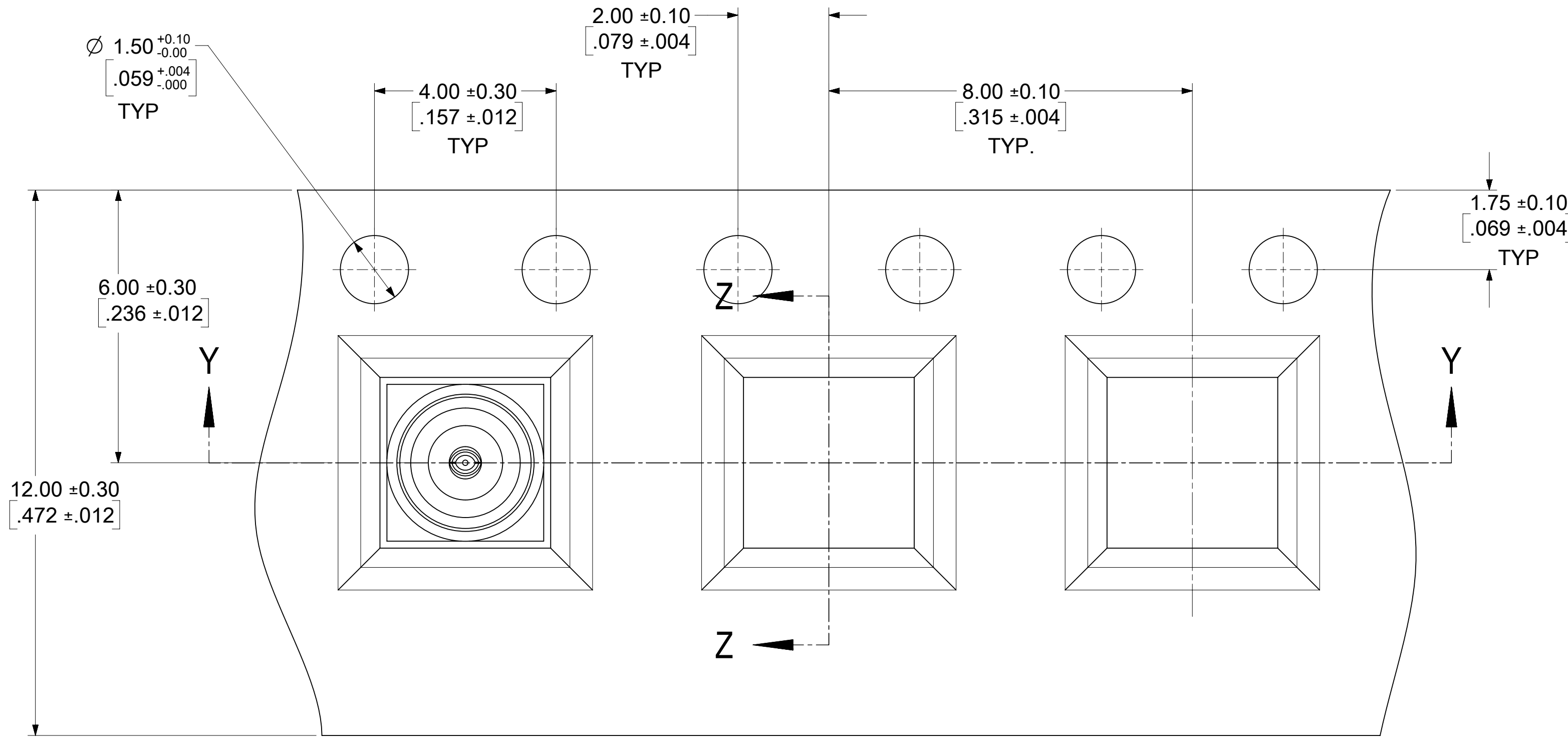


PS-89675-1920	ELECTRO/MECH PERFORM.
SPECIFICATION	DESCRIPTION

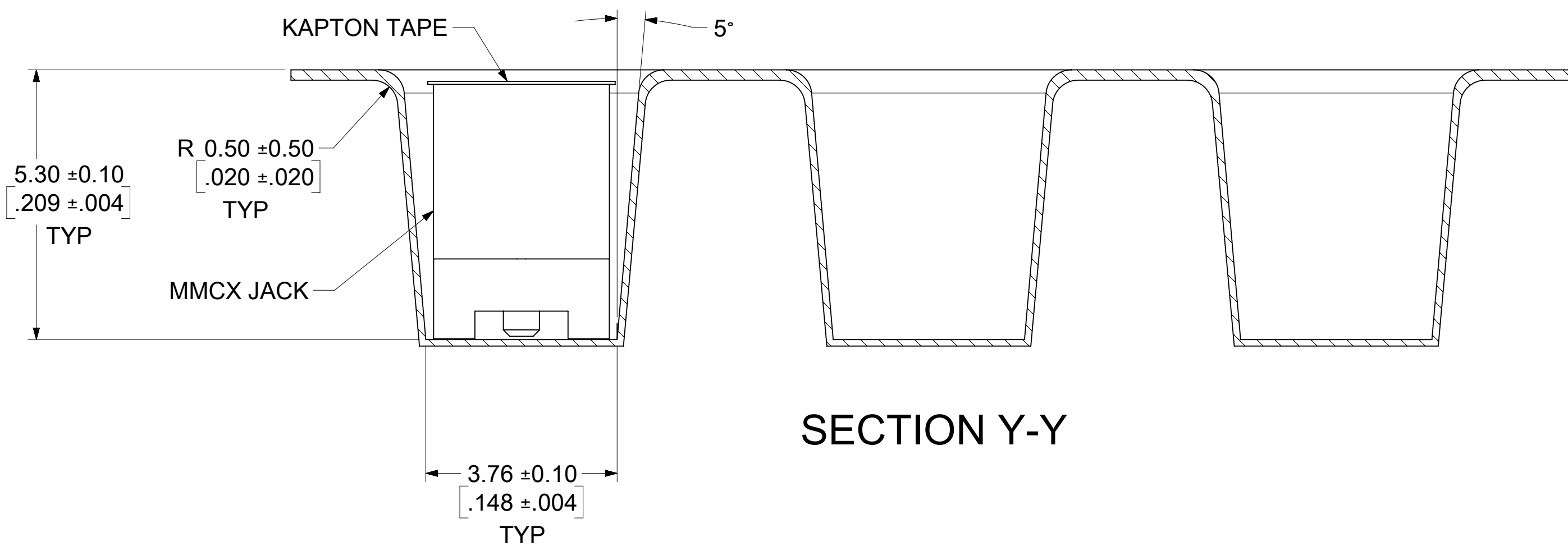
73415-2065	73415-2061 WITH TAPE & REEL WITHOUT KAPTON
73415-2064	73415-2061. ONE PER BAG
73415-2063	73415-2061 WITH TAPE & REEL/KAPTON
73415-2062	73415-2060 WITH TAPE & REEL/KAPTON
73415-2061	PER COMMERCIAL REQUIREMENTS, PACKING TRAY
73415-2060	PER MILITARY REQUIREMENTS, PACKING TRAY
PART NO.	PLATING



FUNCTIONAL SYMBOLS FA = 0 EC = 0 EP = 0 DIVISIONAL SYMBOLS 4 PLACES ± 3 PLACES ± 2 PLACES ± 1 PLACE ± 0 PLACES ±	THIS DRAWING CONTAINS INFORMATION THAT IS PROPRIETARY TO MOLEX ELECTRONIC TECHNOLOGIES, LLC AND SHOULD NOT BE USED WITHOUT WRITTEN PERMISSION		SCALE MM/INCH NTS		CURRENT REV DESC: EWR # 15708-A : ADDED PACKAGING SPEC FOR -2060 & -2061 PART NO			
	GENERAL TOLERANCES (UNLESS SPECIFIED) ANGULAR TOL ± 2.0°		EC NO: 740907 DRWN: JSU18 CHK'D: YCHENG APPR: YCHENG		2023/03/02 2023/03/16 2023/03/16			
	DRAFT WHERE APPLICABLE MUST REMAIN WITHIN DIMENSIONS		THIRD ANGLE PROJECTION		DRAWING SERIES C-SIZE 73415		PRODUCT CUSTOMER DRAWING	
	DOCUMENT NUMBER SD-73415-206		DOC TYPE PSD		DOC PART 001		REVISION B2	



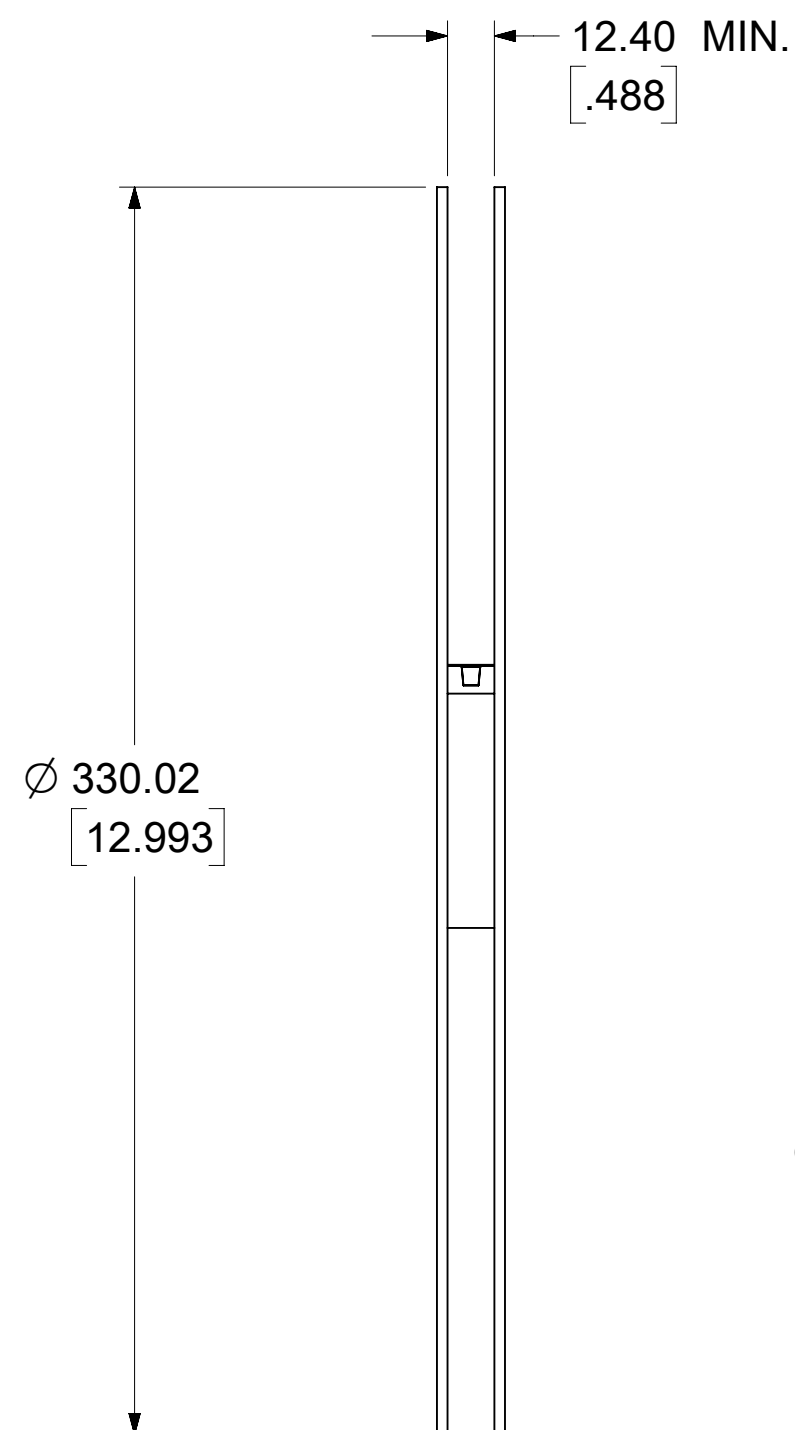
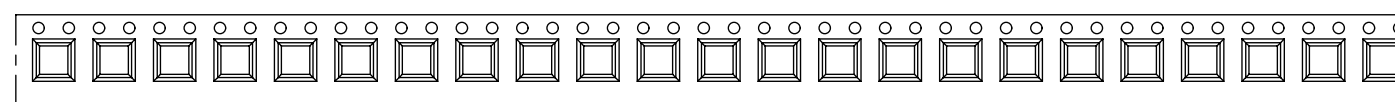
SECTION Z-Z



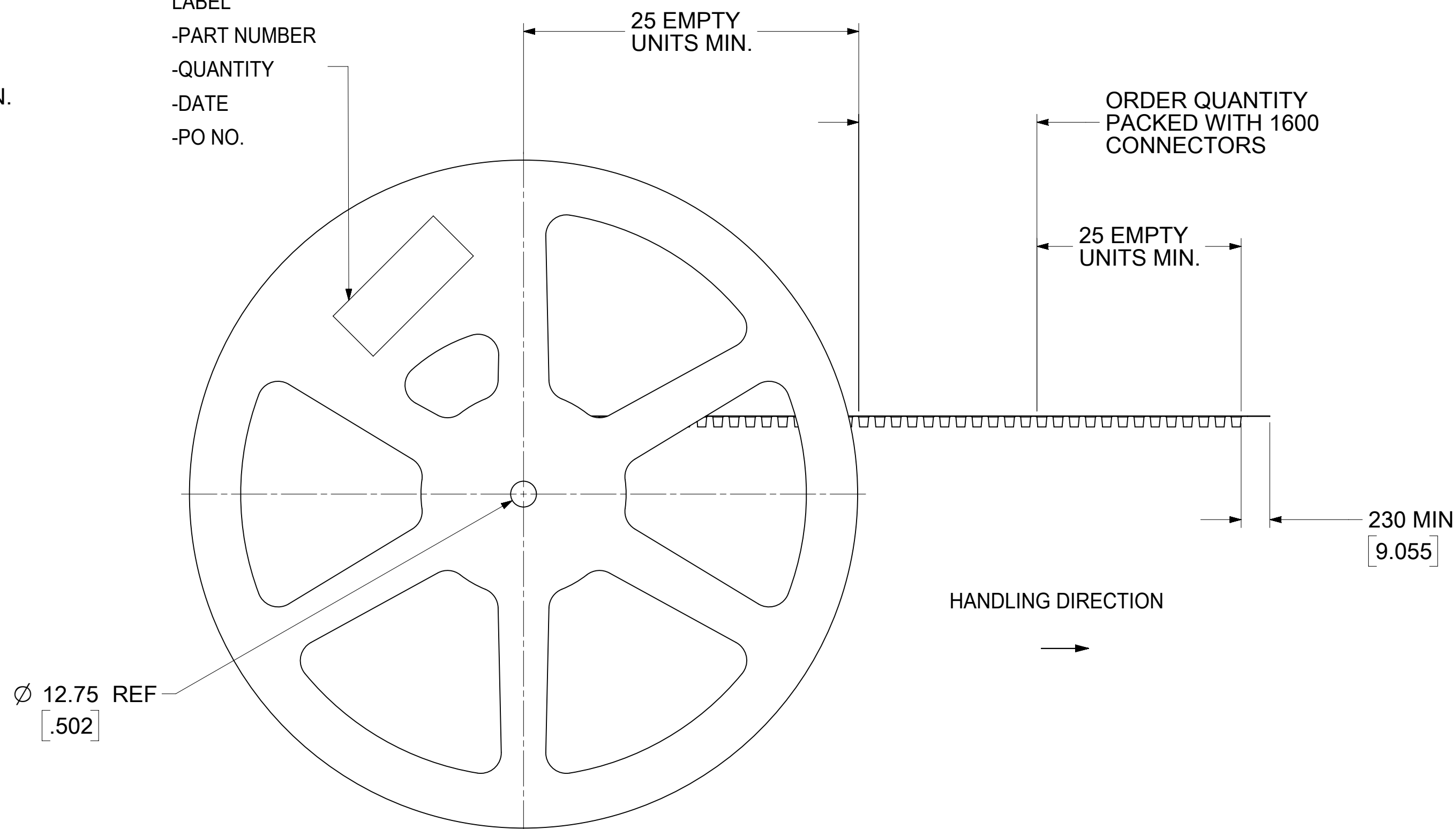
SECTION Y-Y

FUNCTIONAL SYMBOLS $\frac{F}{A} = 0$ $\frac{F}{C} = 0$ $\frac{F}{P} = 0$ DIVISIONAL SYMBOLS 4 PLACES ± 3 PLACES ± 2 PLACES ± 1 PLACE ± 0 PLACES ±	THIS DRAWING CONTAINS INFORMATION THAT IS PROPRIETARY TO MOLEX ELECTRONIC TECHNOLOGIES, LLC AND SHOULD NOT BE USED WITHOUT WRITTEN PERMISSION		CURRENT REV DESC: EWR # 15708-A : ADDED PACKAGING SPEC FOR -2060 & -2061 PART NO		
	DIMENSION UNITS MM/INCH	SCALE NTS	molex		
	GENERAL TOLERANCES (UNLESS SPECIFIED) ANGULAR TOL ± 2.0°		EC NO: 740907 DRWN: JSU18 2023/03/02 CHK'D: YCHENG 2023/03/16 APPR: YCHENG 2023/03/16		
	DRAFT WHERE APPLICABLE MUST REMAIN WITHIN DIMENSIONS		THIRD ANGLE PROJECTION 	DRAWING C-SIZE	SERIES 73415
DOCUMENT STATUS P1 RELEASE DATE 2023/03/16 04:28:02		INITIAL REVISION: DRWN: TFLAHERTY 2006/02/09 APPR: JWIENER 2006/02/09		PRODUCT CUSTOMER DRAWING DOCUMENT NUMBER SD-73415-206 DOC TYPE PSD DOC PART 001 REVISION B2	
		MATERIAL NUMBER CUSTOMER SHEET NUMBER		GENERAL MARKET 2 OF 5	

NOTE:
13" REEL SIZE FOR 1600 PIECES

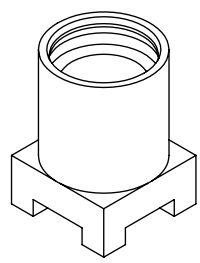


LABEL
-PART NUMBER
-QUANTITY
-DATE
-PO NO.

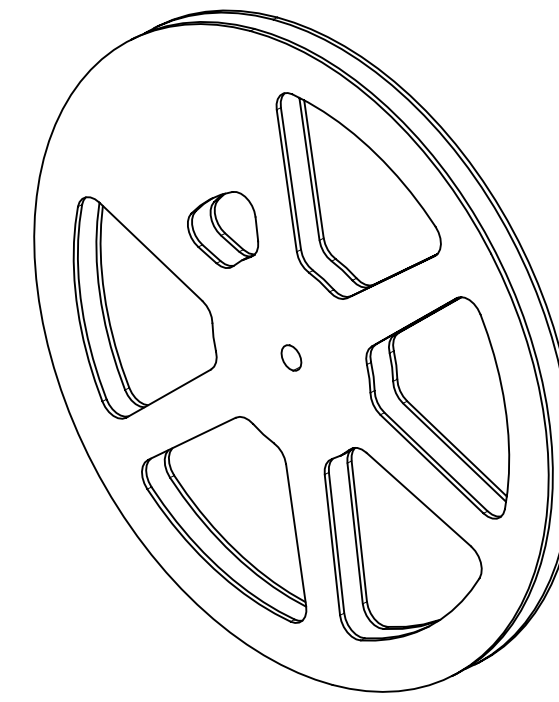
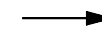
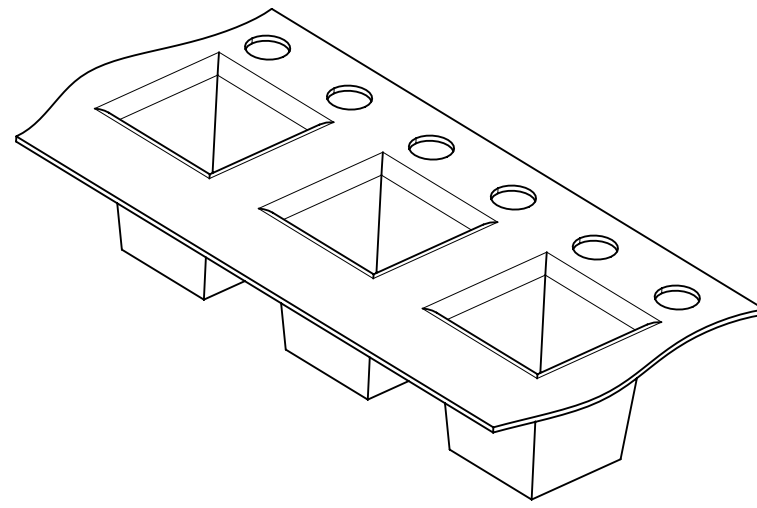
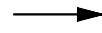


FUNCTIONAL SYMBOLS	THIS DRAWING CONTAINS INFORMATION THAT IS PROPRIETARY TO MOLEX ELECTRONIC TECHNOLOGIES, LLC AND SHOULD NOT BE USED WITHOUT WRITTEN PERMISSION										
	DIMENSION UNITS	SCALE	CURRENT REV DESC: EWR # 15708-A : ADDED PACKAGING SPEC FOR -2060 & -2061 PART NO								
$\frac{F}{A} = 0$	MM/INCH	NTS	molex MMCX JACK, VERTICAL PCB/SMT 50 OHMS MMCX-J/PCB								
$\frac{F}{C} = 0$	GENERAL TOLERANCES (UNLESS SPECIFIED)										
$\frac{F}{P} = 0$	ANGULAR TOL $\pm 2.0^\circ$		EC NO: 740907 DRWN: JSU18 2023/03/02 CHK'D: YCHENG 2023/03/16 APPR: YCHENG 2023/03/16								
DIVISIONAL SYMBOLS	4 PLACES \pm		PRODUCT CUSTOMER DRAWING								
	3 PLACES \pm		DOCUMENT NUMBER								
	2 PLACES \pm		SD-73415-206								
	1 PLACE \pm		DOC TYPE DOC PART REVISION								
0 PLACES \pm		INITIAL REVISION:		2006/02/09		PSD		001		B2	
DRAFT WHERE APPLICABLE MUST REMAIN WITHIN DIMENSIONS		THIRD ANGLE PROJECTION		DRAWING		SERIES		MATERIAL NUMBER		CUSTOMER	
				C-SIZE		73415		GENERAL MARKET		SHEET NUMBER	
										3 OF 5	

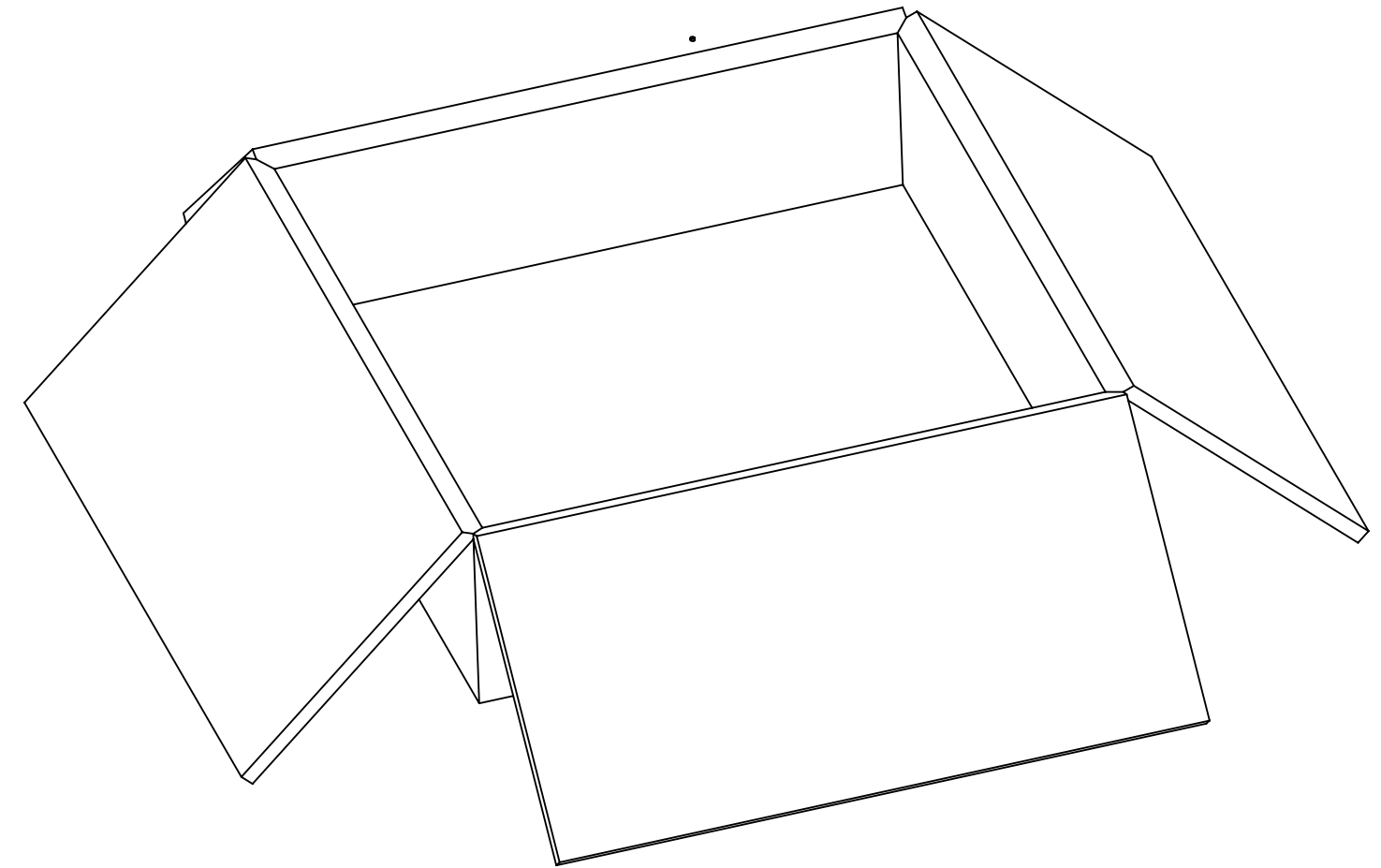
DOCUMENT STATUS	P1	RELEASE DATE	2023/03/16	04:28:02
-----------------	----	--------------	------------	----------



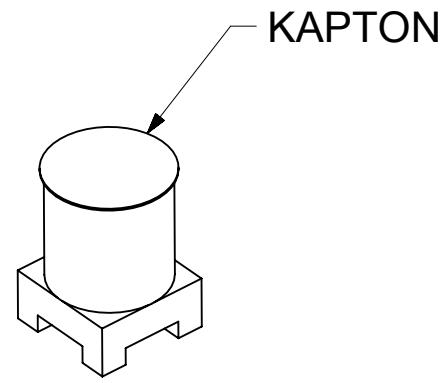
PART NO. 73415-2065



1600 SET PER 13" REEL



8000 CONNECTORS PER
OUTER CARTON BOX
339 X 339 X 100 REF.

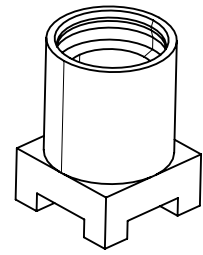


KAPTON

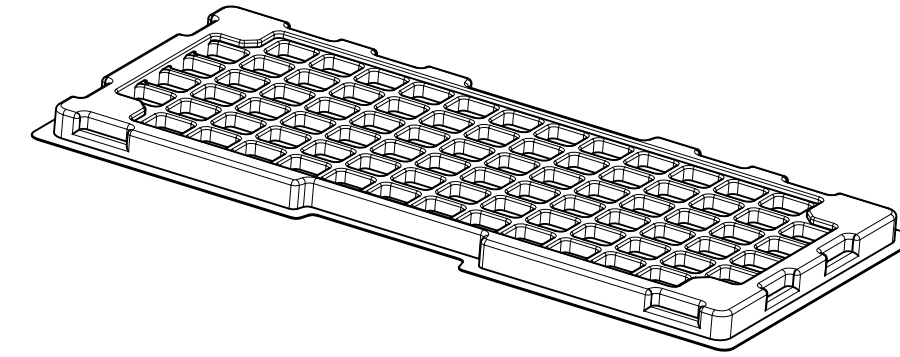
PART NO 73415-2062
PART NO 73415-2063

FUNCTIONAL SYMBOLS	THIS DRAWING CONTAINS INFORMATION THAT IS PROPRIETARY TO MOLEX ELECTRONIC TECHNOLOGIES, LLC AND SHOULD NOT BE USED WITHOUT WRITTEN PERMISSION											
	DIMENSION UNITS	SCALE	CURRENT REV DESC: EWR # 15708-A : ADDED PACKAGING SPEC FOR -2060 & -2061 PART NO								molex	
$\frac{F}{A} = 0$	MM/INCH	NTS	GENERAL TOLERANCES (UNLESS SPECIFIED)									
$\frac{F}{C} = 0$	ANGULAR TOL $\pm 2.0^\circ$		EC NO: 740907								PRODUCT CUSTOMER DRAWING	
$\frac{F}{P} = 0$	4 PLACES \pm		DRWN: JSU18 2023/03/02								DOCUMENT NUMBER	
DIVISIONAL SYMBOLS	3 PLACES \pm		CHK'D: YCHENG 2023/03/16								DOC TYPE	
	2 PLACES \pm		APPR: YCHENG 2023/03/16								DOC PART	
	1 PLACE \pm		INITIAL REVISION:								REVISION	
	0 PLACES \pm		DRWN: TFLAHERTY 2006/02/09								SD-73415-206	
	DRAFT WHERE APPLICABLE MUST REMAIN WITHIN DIMENSIONS		THIRD ANGLE PROJECTION		DRAWING		SERIES		MATERIAL NUMBER			
					C-SIZE		73415		CUSTOMER			
									GENERAL MARKET			
									SHEET NUMBER			
									4 OF 5			

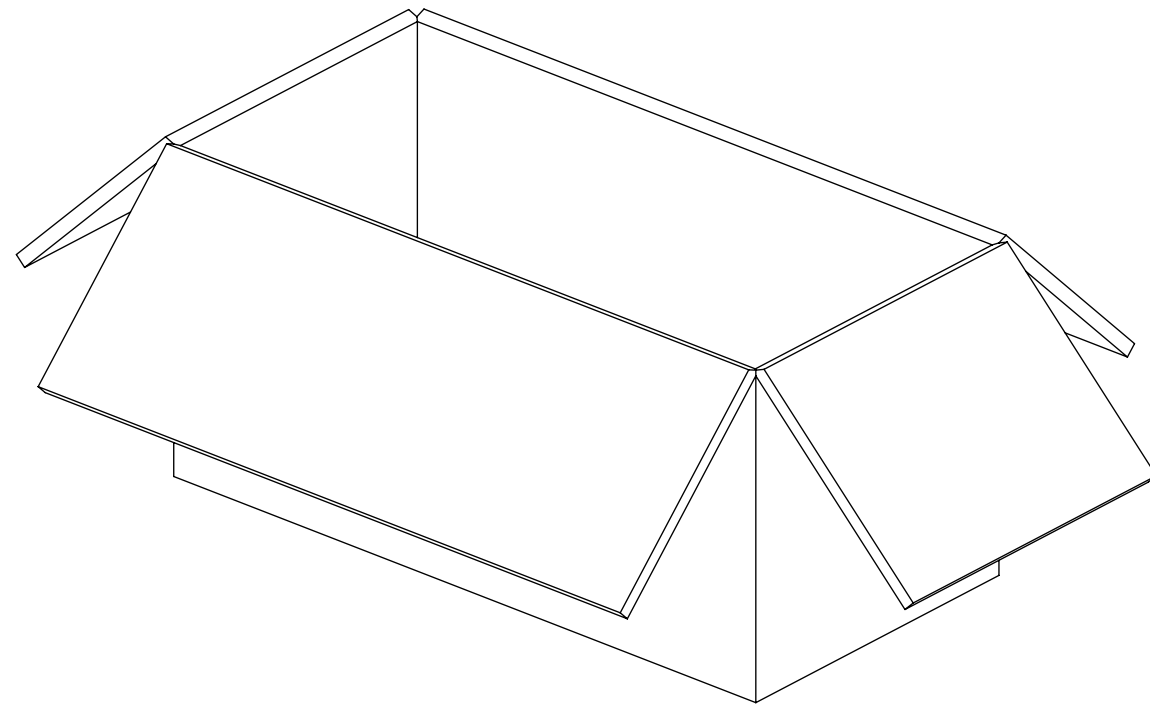
DOCUMENT STATUS	P1	RELEASE DATE	2023/03/16	04:28:02
-----------------	----	--------------	------------	----------



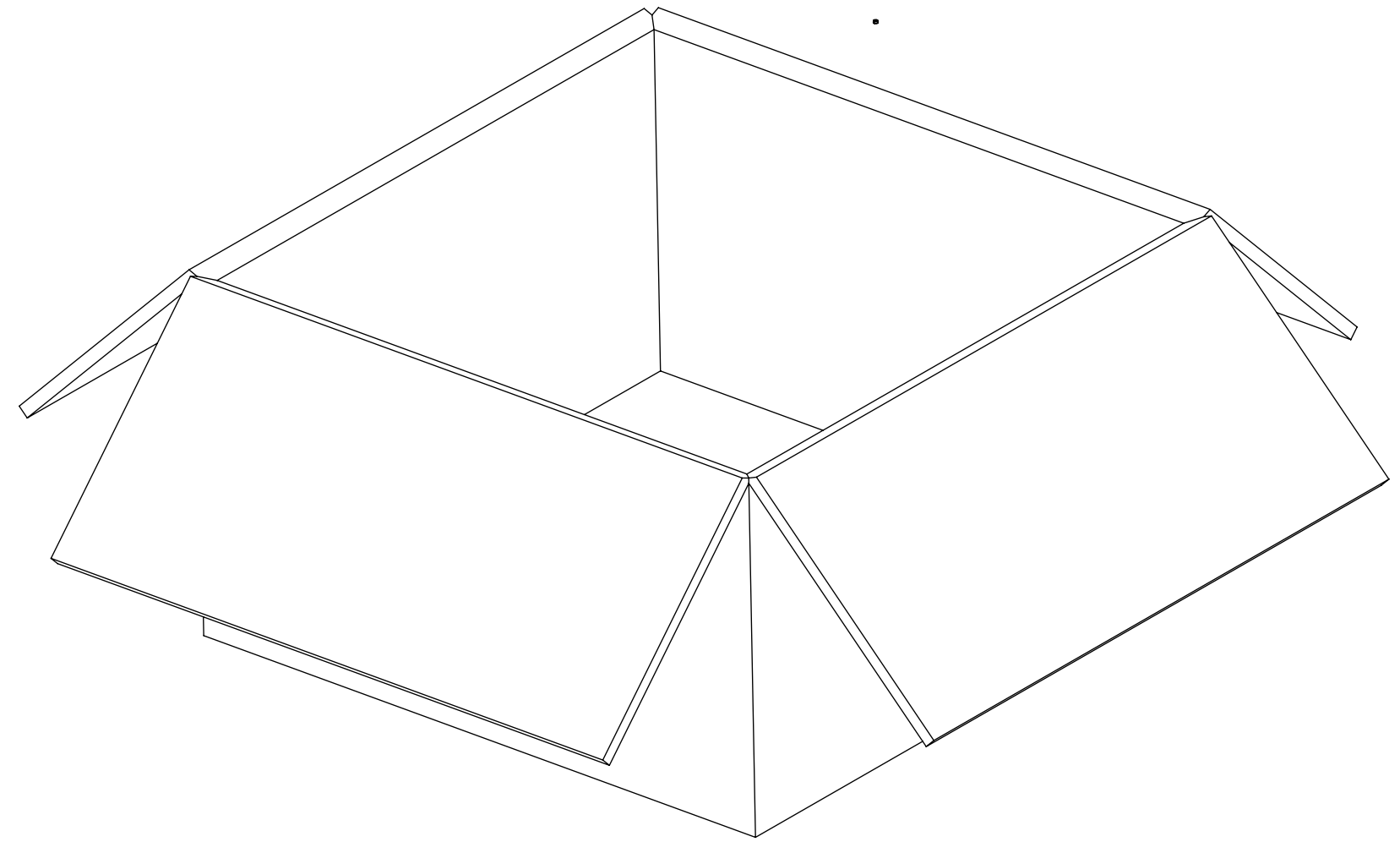
PART NO : 73415-2060
PART NO : 73415-2061



80 SET PER TRAY
P/N: 89707-0190



1600 SET PER INNER CARTON BOX
P/N: 96707-0001



3200 SET PER OUTER CARTON BOX
P/N: 96708-0005

FUNCTIONAL SYMBOLS	THIS DRAWING CONTAINS INFORMATION THAT IS PROPRIETARY TO MOLEX ELECTRONIC TECHNOLOGIES, LLC AND SHOULD NOT BE USED WITHOUT WRITTEN PERMISSION												
	DIMENSION UNITS	SCALE	CURRENT REV DESC: EWR # 15708-A : ADDED PACKAGING SPEC FOR -2060 & -2061 PART NO										
$\frac{F}{A} = 0$	MM/INCH	NTS	molex MMCX JACK, VERTICAL PCB/SMT 50 OHMS MMCX-J/PCB										
$\frac{E}{C} = 0$	GENERAL TOLERANCES (UNLESS SPECIFIED)												
$\frac{E}{P} = 0$	ANGULAR TOL $\pm 2.0^\circ$		EC NO: 740907 DRWN: JSU18 2023/03/02 CHK'D: YCHENG 2023/03/16 APPR: YCHENG 2023/03/16										
DIVISIONAL SYMBOLS	4 PLACES \pm		PRODUCT CUSTOMER DRAWING										
	3 PLACES \pm		INITIAL REVISION:										
	2 PLACES \pm		DRWN: TFLAHERTY 2006/02/09 APPR: JWIENER 2006/02/09										
	1 PLACE \pm		DOCUMENT NUMBER: SD-73415-206 DOC TYPE: PSD DOC PART: 001 REVISION: B2										
0 PLACES \pm		DRAFT WHERE APPLICABLE MUST REMAIN WITHIN DIMENSIONS		THIRD ANGLE PROJECTION		DRAWING: C-SIZE		SERIES: 73415		MATERIAL NUMBER: GENERAL MARKET		SHEET NUMBER: 5 OF 5	

DOCUMENT STATUS	P1	RELEASE DATE	2023/03/16	04:28:02
-----------------	----	--------------	------------	----------