

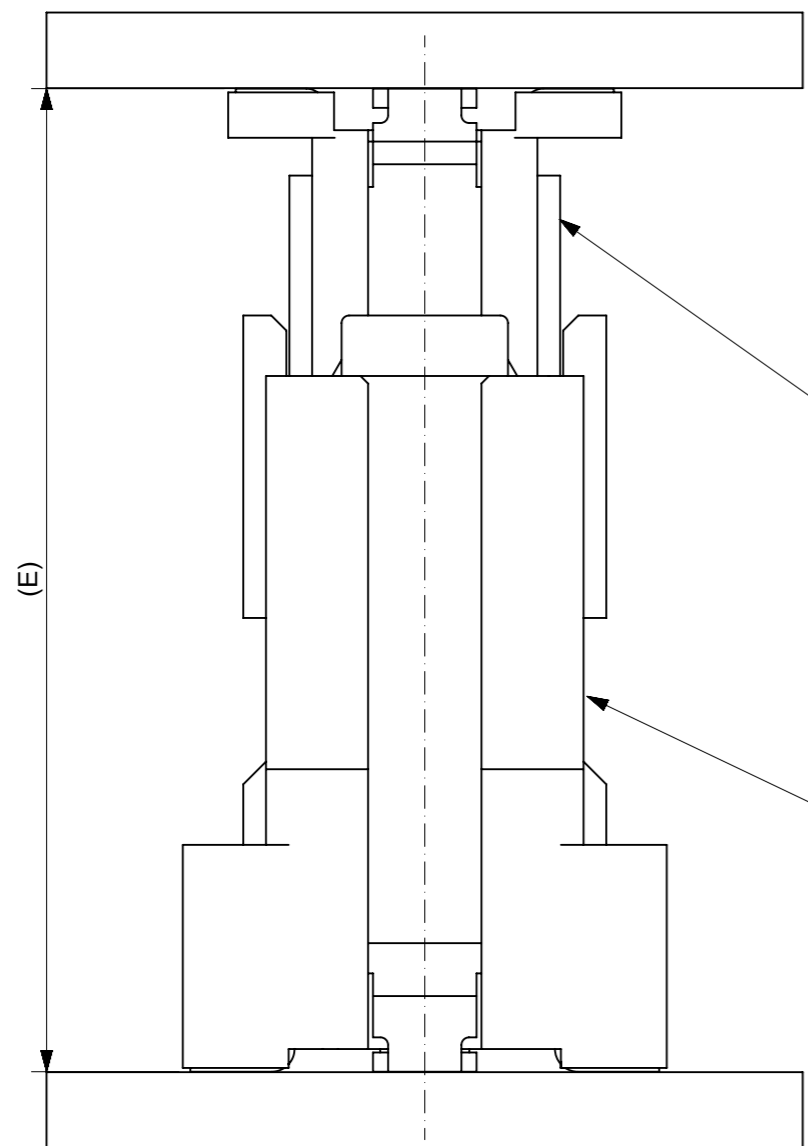
**NOTES**

1. 材質  
MATERIAL  
ハウジング: ガラス入りPPS、茶色、UL94V-0  
HOUSING: POLYPHENYLENE SULFIDE, GLASS FILLED, BROWN, UL94V-0  
ターミナル: 銅合金 (t=0.2)、ニッケルメッキ下地1.5マイクロメートル以上  
TERMINAL: COPPER ALLOY, UNDER-PLATING: NICKEL 1.5 MICROMETER MIN.  
接点部 : 金メッキ 0.25マイクロメートル以上  
CONTACT AREA: GOLD 0.25 MICROMETER MIN.  
半田付け部 : 錫メッキ1.0マイクロメートル以上  
SOLDER TAIL AREA: TIN 1.0 MICROMETER MIN.  
ネール : リン青銅(t=0.2)、ニッケルメッキ下地1.0マイクロメートル以上  
NAIL: PHOSPHOR BRONZE, UNDER-PLATING: NICKEL 1.0 MICROMETER MIN.  
錫メッキ1.0マイクロメートル以上  
TIN 1.0 MICROMETER MIN.  
吸着カバー: ステンレス (t=0.2)  
VACUUM COVER: STAINLESS STEEL

無し WITHOUT	66.47	65.37	62.865	70.37	53627-2074	-	200
	60.12	59.02	56.515	64.02	53627-1874	-	180
	53.77	52.67	50.165	57.67	53627-1674	53627-1675	160
	47.42	46.32	43.815	51.32	53627-1474	-	140
	41.07	39.97	37.465	44.97	53627-1274	-	120
	34.72	33.62	31.115	38.62	53627-1074	-	100
	31.55	30.45	27.94	35.45	53627-0974	-	90
有り WITH	28.37	27.27	24.765	32.27	53627-0874	-	80
	25.2	24.1	21.59	29.1	53627-0774	-	70
	22.02	20.92	18.415	25.92	53627-0674	-	60
	18.85	17.75	15.24	22.75	53627-0574	-	50
	15.67	14.57	12.065	19.57	53627-0474	-	40
	12.5	11.4	8.89	16.4	53627-0374	-	30
	9.32	8.22	5.715	13.22	53627-0274	-	20
ハウジングロック HSG LOCK	D	C	B	A	エンボス梱包 EMBOSSED PACKAGE	スティック梱包 STICK PACKAGE	極数 CKT
オーダー番号 ORDER NO.							

2. テールのバラツキ寸法  
TAIL COPLANARITY  
テール平坦度は、0.1ミリ以下とする。  
TAILS COPLANARITY TO BE 0.1 MILLIMETER MAX.

GENERAL TOLERANCES (UNLESS SPECIFIED)		THIS DRAWING CONTAINS INFORMATION THAT IS PROPRIETARY TO MOLEX ELECTRONIC TECHNOLOGIES, LLC AND SHOULD NOT BE USED WITHOUT WRITTEN PERMISSION	
10 UNDER	± 0.2	DIMENSION UNITS	SCALE
10 OVER 30 UNDER	± 0.25	mm	-
30 OVER	± 0.3	CURRENT REV DESC:	
ANGULAR ± 3 °		EC NO: 627249	
DRAFT WHERE APPLICABLE MUST REMAIN WITHIN DIMENSIONS		DRWN: JFURUKAWA 2019/11/08	
		CHK'D: HSHIMOYAMA 2019/11/14	
		APPR: SHOSHIKAWA 2020/01/13	
		INITIAL REVISION:	
		DRWN: YSAKIYAMA 2004/03/15	
		APPR: MSASAO 2004/03/16	
		THIRD ANGLE PROJECTION	DRAWING
		⊕	A3-SIZE
		SERIES	53627
		MATERIAL NUMBER	SEE CHART
		CUSTOMER	GENERAL MARKET
		SHEET NUMBER	1 OF 2



55091 series  
53625 series  
53647 series  
53649 series  
53627 series  
Plug

52885 series  
52901 series  
Receptacle

嵌合高さ一覧 Stacking Height variation			
	6	52885 series	55091 series
	7		53625 series
	8		53647 series
	9		53649 series
○	10		53627 series
	12	52901 series	55091 series
	13		53625 series
	14		53647 series
	15		53649 series
○	16		53627 series
本図製品該当高さ Height Application	嵌合高さ E Stacking Height	リセプタクル Receptacle	プラグ Plug

GENERAL TOLERANCES (UNLESS SPECIFIED)		THIS DRAWING CONTAINS INFORMATION THAT IS PROPRIETARY TO MOLEX ELECTRONIC TECHNOLOGIES, LLC AND SHOULD NOT BE USED WITHOUT WRITTEN PERMISSION	
10 UNDER	± 0.2	DIMENSION UNITS	SCALE
10 OVER 30 UNDER	± 0.25	mm	-
30 OVER	± 0.3	CURRENT REV DESC:	
ANGULAR	± 3 °	EC NO: 627249	
DRAFT WHERE APPLICABLE MUST REMAIN WITHIN DIMENSIONS		DRWN: JFURUKAWA 2019/11/08	
		CHK'D: HSHIMOYAMA 2019/11/14	
		APPR: SHOSHIKAWA 2020/01/13	
		INITIAL REVISION:	
		DRWN: YSAKIYAMA 2004/03/15	
		APPR: MSASAO 2004/03/16	
		THIRD ANGLE PROJECTION	DRAWING
			A3-SIZE
		SERIES	MATERIAL NUMBER
		53627	SEE CHART
		CUSTOMER	SHEET NUMBER
		GENERAL MARKET	2 OF 2

**molex**

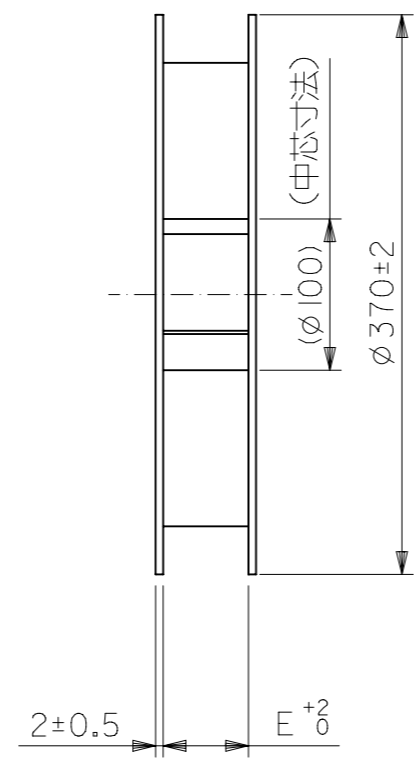
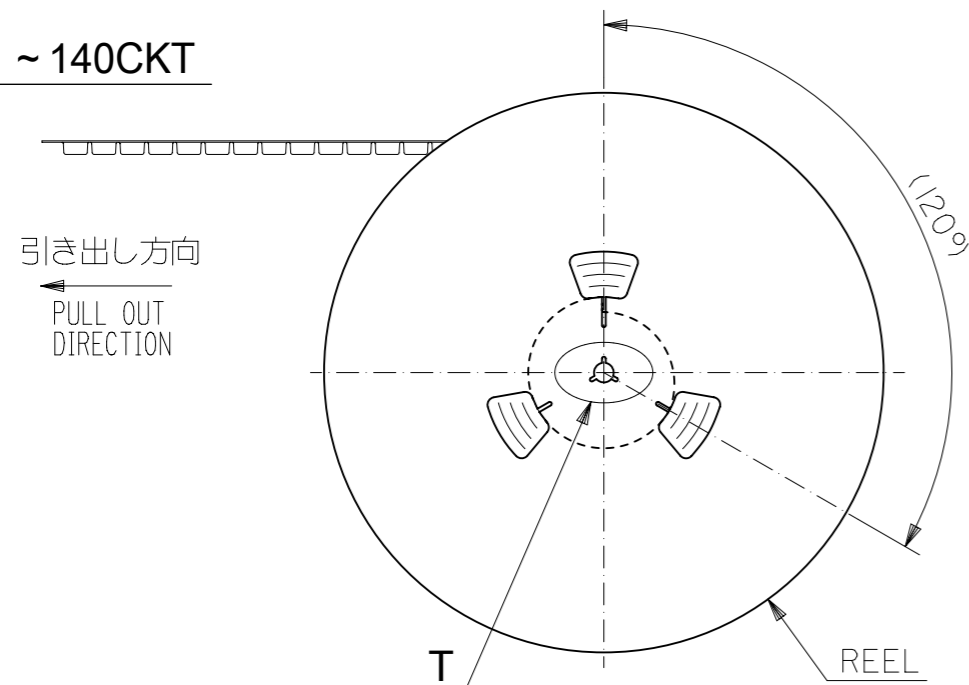
0.635 PITCH B/B CONN.  
PLUG HSG COVER ASSY -LEAD FREE-

PRODUCT CUSTOMER DRAWING

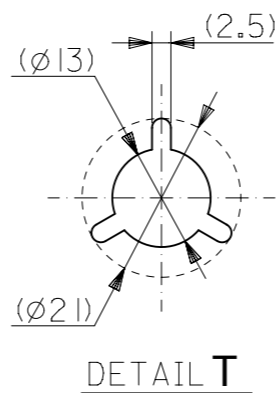
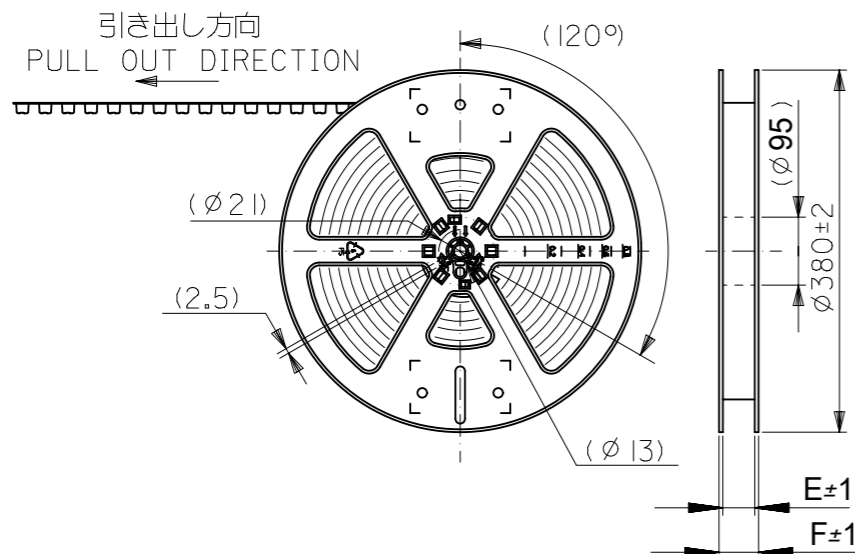
DOCUMENT NUMBER	DOC TYPE	DOC PART	REVISION
SD-53627-001	PSD	001	F

DOCUMENT STATUS	P1	RELEASE DATE	2020/01/13 17:10:35
-----------------	----	--------------	---------------------

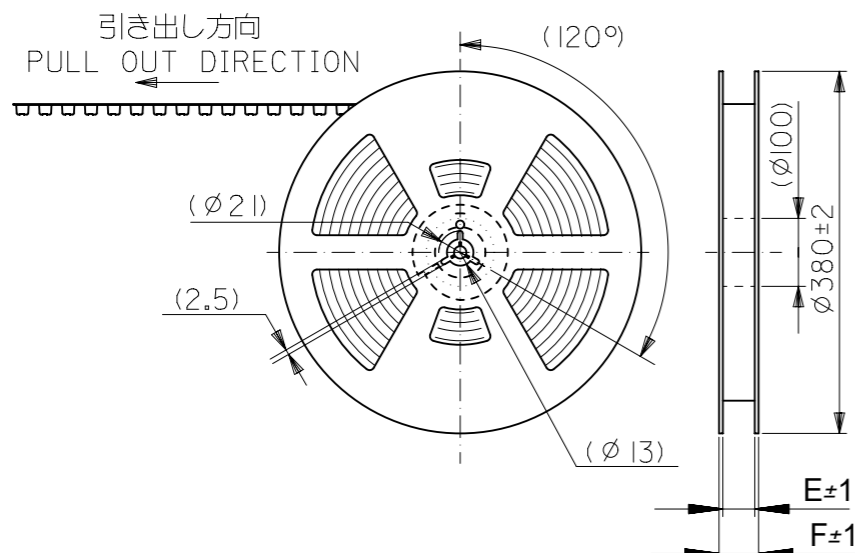
20 ~ 140CKT



160CKT

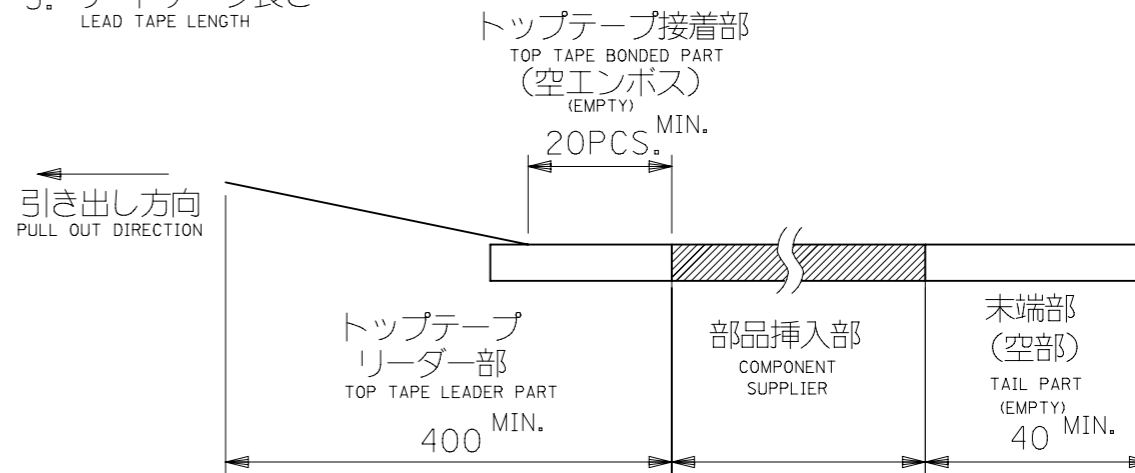


180, 200CKT



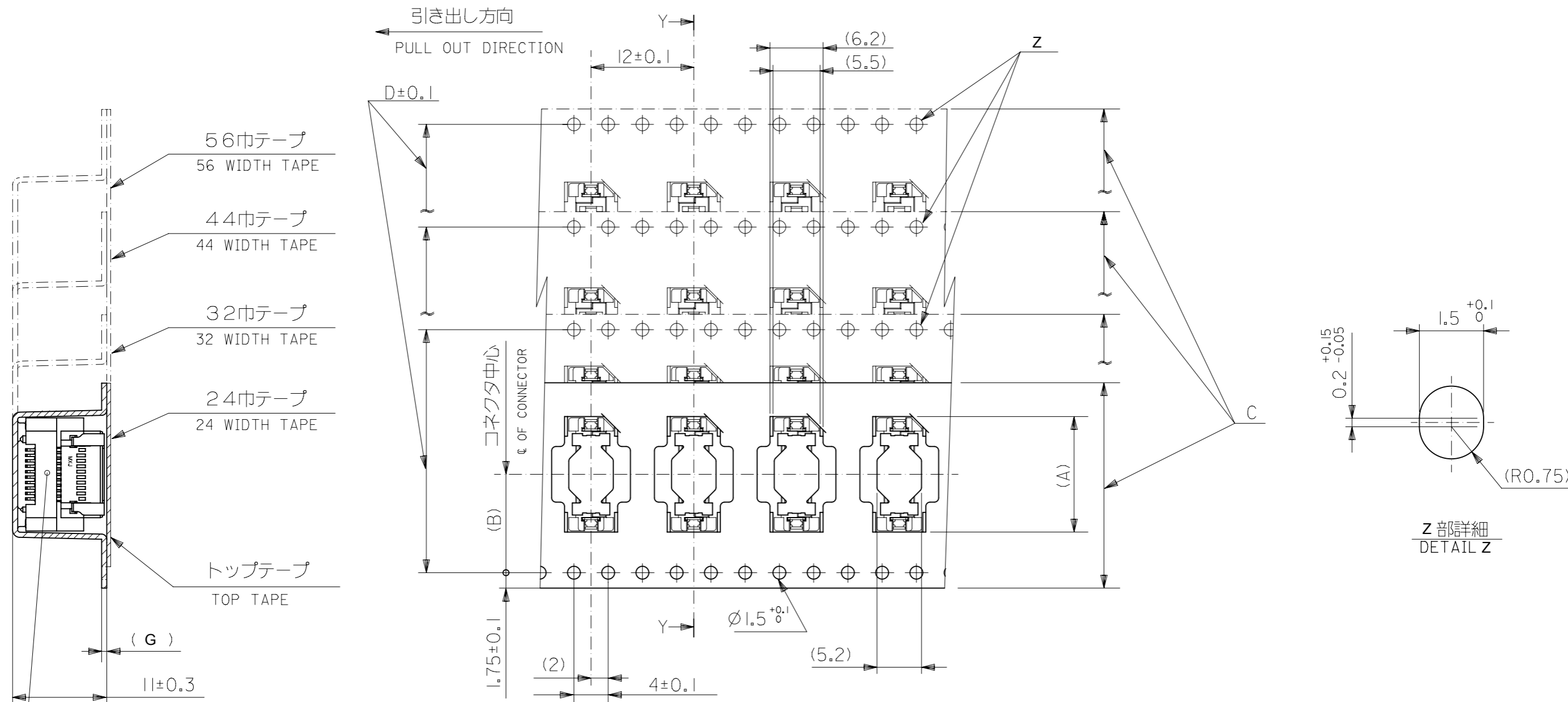
NOTES

- 製品番号 53627-\*\*72 の詳細寸法については SD-53627-001 を参照下さい。  
IN THE PACKAGE , PART NO. 53627-\*\*72 DETAILED DIMENSIONS , SEE SD-53627-001.
- 梱包数量 : 700個/リール  
NUMBER OF CONNECTORS : 700 PCS/REEL
- リードテープ長さ  
LEAD TAPE LENGTH



- 材料  
MATERIAL  
キャリアテープ : ポリプロピレン (PP) : 20~140, 200極  
ポリスチレン (PS) : 160, 180極  
CARRIER TAPE : POLYPROPYLENE (PP) : 20~140, 200CKT  
POLYSTYRENE (PS) : 160, 180CKT  
トップテープ : PET, PE, PEF  
TOP TAPE : PET, PE, PEF  
リール : 紙 : 20~140極  
ポリスチレン : 160~200極  
REEL : CARD BOARD : 20~140, 200CKT  
POLYSTYRENE : 160, 180CKT

THIS DRAWING CONTAINS INFORMATION THAT IS PROPRIETARY TO MOLEX ELECTRONIC TECHNOLOGIES, LLC AND SHOULD NOT BE USED WITHOUT WRITTEN PERMISSION		CURRENT REV DESC:		<b>molex</b>	
DIMENSION UNITS	SCALE				
mm	-			EMBSTP PKG FOR 0.635 B/B PLUG HSG ASSY (H=10) -LEAD FREE-	
GENERAL TOLERANCES (UNLESS SPECIFIED)		EC NO: 175909		PRODUCT CUSTOMER DRAWING	
ANGULAR TOL ± 30°		DRWN: RMIYAMOTO 2018/03/16		DOCUMENT NUMBER	
4 PLACES ± 0.2		CHK'D: KSASAKI 2018/05/01		SD-53627-002	
3 PLACES ± 0.25		APPR: RTAKEUCHI 2018/05/01		DOC TYPE	
2 PLACES ± 0.3		INITIAL REVISION:		PSD	
1 PLACE ±		DRWN: YSAKIYAMA 2004/03/15		DOC PART	
0 PLACES ±		APPR: MSASAO 2004/03/16		001	
DRAFT WHERE APPLICABLE MUST REMAIN WITHIN DIMENSIONS		THIRD ANGLE PROJECTION		REVISION	
		DRAWING		C	
		SERIES		SHEET NUMBER	
		A3-SIZE		1 OF 3	
		53627		MATERIAL NUMBER	
		SEE CHART		CUSTOMER	
		GENERAL MARKET			



断面 Y-Y  
SECTION Y-Y

累積ピッチ : 40±0.2  
ACCUMULATIVE  
PITCH : 40±0.2

CARD BOARD	PP	0.6	-	56.4	52.4	56±0.3	26.2	38.9	55091-1074	100
								35.8	55091-0974	90
								32.6	55091-0874	80
								29.4	55091-0774	70
								26.2	55091-0674	60
				23.1	55091-0574	50				
				32.4	28.4	32±0.3	14.2	19.9	55091-0474	40
				24.4	-	24±0.3	11.5	16.7	55091-0374	30
								13.5	55091-0274	20
リール REEL	キャリアテープ CARRIER TAPE	G	F	E	D	C キャリアテープ幅 CARRIER TAPE WIDTH	B	A	オーダー番号 ORDER NO.	極数 CKT.NO.

THIS DRAWING CONTAINS INFORMATION THAT IS PROPRIETARY TO MOLEX ELECTRONIC TECHNOLOGIES, LLC AND SHOULD NOT BE USED WITHOUT WRITTEN PERMISSION

DIMENSION UNITS mm	SCALE -	CURRENT REV DESC:		<b>molex</b>	
GENERAL TOLERANCES (UNLESS SPECIFIED)					
ANGULAR TOL ± 30°		EC NO: 175909		EMBSTP PKG FOR 0.635 B/B PLUG HSG ASSY (H=10) -LEAD FREE-	
4 PLACES ± 0.2		DRWN: RMIYAMOTO 2018/03/16		PRODUCT CUSTOMER DRAWING	
3 PLACES ± 0.25		CHK'D: KSASAKI 2018/05/01		DOCUMENT NUMBER	
2 PLACES ± 0.3		APPR: RTAKEUCHI 2018/05/01		SD-53627-002	
1 PLACE ±		INITIAL REVISION:		DOC TYPE	
0 PLACES ±		DRWN: YSAKIYAMA 2004/03/15		PSD	
		APPR: MSASAO 2004/03/16		DOC PART	
				001	
				REVISION	
				C	
DRAFT WHERE APPLICABLE MUST REMAIN WITHIN DIMENSIONS	THIRD ANGLE PROJECTION	DRAWING	SERIES	MATERIAL NUMBER	CUSTOMER
		A3-SIZE	53627	SEE CHART	GENERAL MARKET
					SHEET NUMBER
					2 OF 3

9 8 7 6 5 4 3 2 1

引き出し方向  
PULL OUT DIRECTION

88巾テープ  
88 WIDTH TAPE

72巾テープ  
72 WIDTH TAPE

トップテープ  
TOP TAPE

53627-\*\*-72  
CONNECTOR

断面 Y-Y  
SECTION Y-Y

コネクタ中心  
ø OF CONNECTOR

(B)

(A)

Z部詳細  
DETAIL Z

1.75±0.1

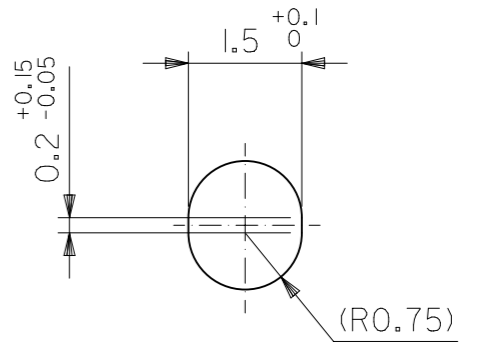
(2)

累積ピッチ : 40±0.2  
ACCUMULATIVE  
PITCH : 40±0.2

11±0.3 9±0.3

4±0.1 ø1.5<sup>+0.1</sup> (5.2)

12±0.1 (6.2) (5.5)



PS	PP	0.6	94	90	84.4	88±0.3	42.2	70.7	53627-2074	200
PS	PS	0.5	78.1	73.5				64.4	53627-1874	180
CARD BOARD	PP	0.6	-	72.4	68.4	72±0.3	34.2	58.0	53627-1674	160
								45.3	53627-1274	120
リール REEL	キャリアテープ CARRIER TAPE	G	F	E	D	C キャリアテープ幅 CARRIER TAPE WIDTH	B	A	オーダー番号 ORDER NO.	極数 CKT.NO.

THIS DRAWING CONTAINS INFORMATION THAT IS PROPRIETARY TO MOLEX ELECTRONIC TECHNOLOGIES, LLC AND SHOULD NOT BE USED WITHOUT WRITTEN PERMISSION

DIMENSION UNITS	SCALE	CURRENT REV DESC:		<b>molex</b>	
mm	-				
GENERAL TOLERANCES (UNLESS SPECIFIED)		EC NO: 175909		EMBSTP PKG FOR 0.635 B/B PLUG HSG ASSY (H=10) -LEAD FREE-	
ANGULAR TOL ± 30°		DRWN: RMIYAMOTO 2018/03/16		PRODUCT CUSTOMER DRAWING	
4 PLACES ± 0.2		CHK'D: KSASAKI 2018/05/01		DOCUMENT NUMBER	
3 PLACES ± 0.25		APPR: RTAKEUCHI 2018/05/01		SD-53627-002	
2 PLACES ± 0.3		INITIAL REVISION:		DOC TYPE	
1 PLACE ±		DRWN: YSAKIYAMA 2004/03/15		DOC PART	
0 PLACES ±		APPR: MSASAO 2004/03/16		REVISION	
DRAFT WHERE APPLICABLE MUST REMAIN WITHIN DIMENSIONS		THIRD ANGLE PROJECTION	DRAWING	SERIES	MATERIAL NUMBER
			A3-SIZE	53627	SEE CHART
					CUSTOMER
					GENERAL MARKET
					SHEET NUMBER
					3 OF 3

9 8 7 6 5 4 3 2 1