

**NO:** SD-082  
**DATE:** June 2014

**PRODUCT:** S8VT Power Supplies  
**TYPE:** Discontinuation Notice

## S8VT-F Three-phase Power Supplies will be Discontinued October 2014; Replace with S8VK-T Series

**Effective date:** October 31, 2014

Note: Date is subject to change based on raw materials and components availability at the factory.

The S8VT-F three-phase switching power supplies will be discontinued and replaced by the S8VK-T series. Small differences in dimensions, input power range and case color will make the migration simple. See the following pages for details.

### Affected Parts

Product discontinuation	Recommended replacement
S8VT-F12024E	S8VK-T12024
S8VT-F24024E	S8VK-T24024
S8VT-F48024E	S8VK-T48024
S8VT-F96024E	S8VK-T96024

### Changes

#### Body Color

Product discontinuation	Recommended replacement
Model S8VT-F series Beige	Model S8VK-T series Black

#### Input Voltage

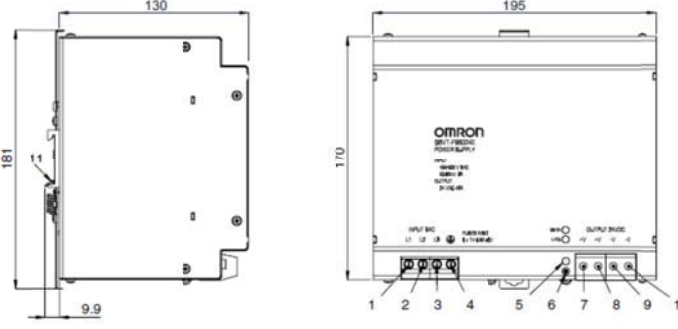
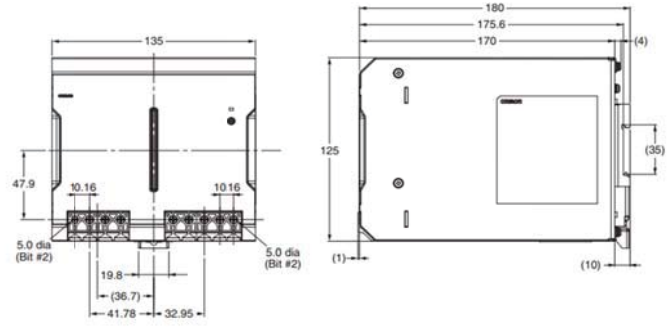
Product discontinuation	Recommended replacement
Model S8VT-F series 3 X 340 to 576 VAC 480 to 810 VDC	Model S8VK-T series 3 X 320 to 576 VAC 2 X 340 to 576 VAC 450 to 810 VDC

#### Output Voltage

Product discontinuation			Recommended replacement		
Part number	Voltage	Current	Part number	Voltage	Current
S8VT-F12024E	24 VDC	5 A	S8VK-T12024	24 VDC	5 A
S8VT-F24024E	24 VDC	10 A	S8VK-T24024	24 VDC	10 A
S8VT-F48024E	24 VDC	20 A	S8VK-T48024	24 VDC	20 A
S8VT-F96024E	24 VDC	40 A	S8VK-T96024	24 VDC	40 A

# Dimensions

Product discontinuation	Recommended replacement
<p style="text-align: center;"><b>S8VT-F12024E</b></p> <div style="border: 1px solid black; padding: 5px; margin-bottom: 10px;">                     Height: 136mm                      Width: 45mm                      Depth: 139.9mm                 </div>	<p style="text-align: center;"><b>S8VK-T12024</b></p> <div style="border: 1px solid black; padding: 5px; margin-bottom: 10px;">                     Height: 129.7 mm                      Width: 40mm                      Depth: 122.2 mm                 </div>
<p style="text-align: center;"><b>S8VF-T24024E</b></p> <div style="border: 1px solid black; padding: 5px; margin-bottom: 10px;">                     Height: 181mm                      Width: 45mm                      Depth: 139.9mm                 </div>	<p style="text-align: center;"><b>S8VK-T24024</b></p> <div style="border: 1px solid black; padding: 5px; margin-bottom: 10px;">                     Height: 129.7 mm                      Width: 60 mm                      Depth: 150 mm                 </div>
<p style="text-align: center;"><b>S8VT-F48024E</b></p> <div style="border: 1px solid black; padding: 5px; margin-bottom: 10px;">                     Height: 181mm                      Width: 195mm                      Depth: 139.9mm                 </div>	<p style="text-align: center;"><b>S8VK-T48024</b></p> <div style="border: 1px solid black; padding: 5px; margin-bottom: 10px;">                     Height: 129.7 mm                      Width: 95 mm                      Depth: 150 mm                 </div>

Product discontinuation	Recommended replacement
<p style="text-align: center;"><b>S8VT-F96024E</b></p> <div style="border: 1px solid black; padding: 5px; margin-bottom: 10px;">           Height: 181mm            Width: 195mm            Depth: 139.9mm         </div>  <p>Technical drawings of the S8VT-F96024E terminal block. The front view shows a height of 181mm and a width of 130mm. The top view shows a width of 195mm and a depth of 110mm. The side view shows a depth of 139.9mm. The terminal block has 10 terminals numbered 1 to 10. The Omron logo and 'S8VT-F96024E' are visible on the top surface.</p>	<p style="text-align: center;"><b>S8VK-T96024</b></p> <div style="border: 1px solid black; padding: 5px; margin-bottom: 10px;">           Height: 129.7 mm            Width: 135 mm            Depth: 180 mm         </div>  <p>Technical drawings of the S8VK-T96024 terminal block. The front view shows a height of 129.7mm and a width of 135mm. The top view shows a width of 180mm and a depth of 125mm. The side view shows a depth of 180mm. The terminal block has 10 terminals numbered 1 to 10. Dimensions for terminal spacing and mounting holes are provided.</p>

## Reference Documentation

Description	Media	Publication number
S8VT-F Data Sheet	PDF	<a href="#">M03E-EN-02</a>
S8VK-T Data Sheet	PDF	<a href="#">T59I-E-01</a>

Specifications and prices in this product news are as of the issue date and are subject to change without notice. Only main changes in specifications are described in this document. Please be sure to read the relevant catalogs, datasheets, product specifications, instructions, and manuals for precautions and necessary information when using products.