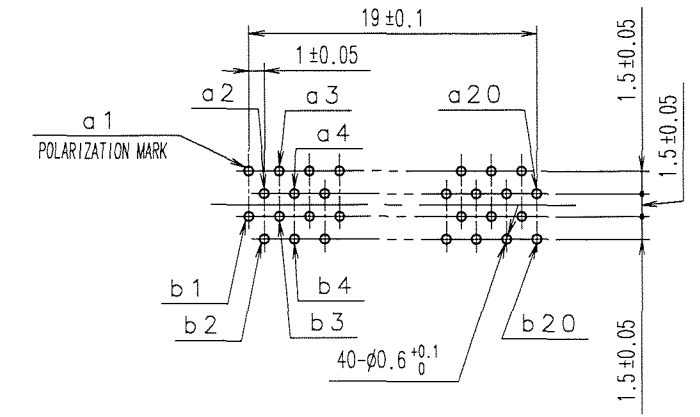
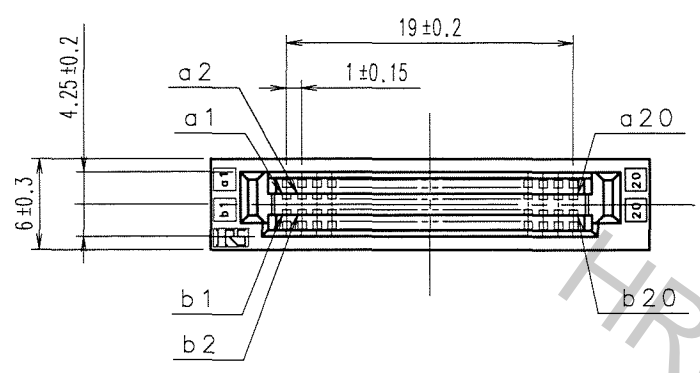


Apr.1.2017 Copyright 2017 HIROSE ELECTRIC CO., LTD. All Rights Reserved.

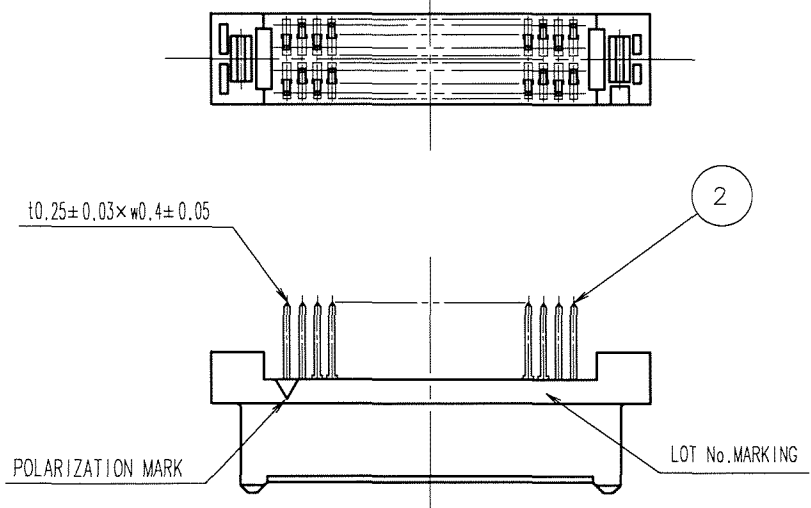
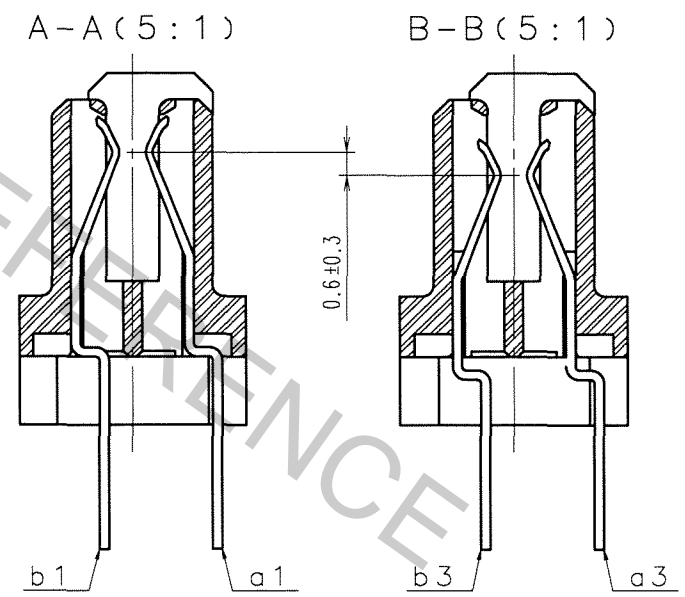
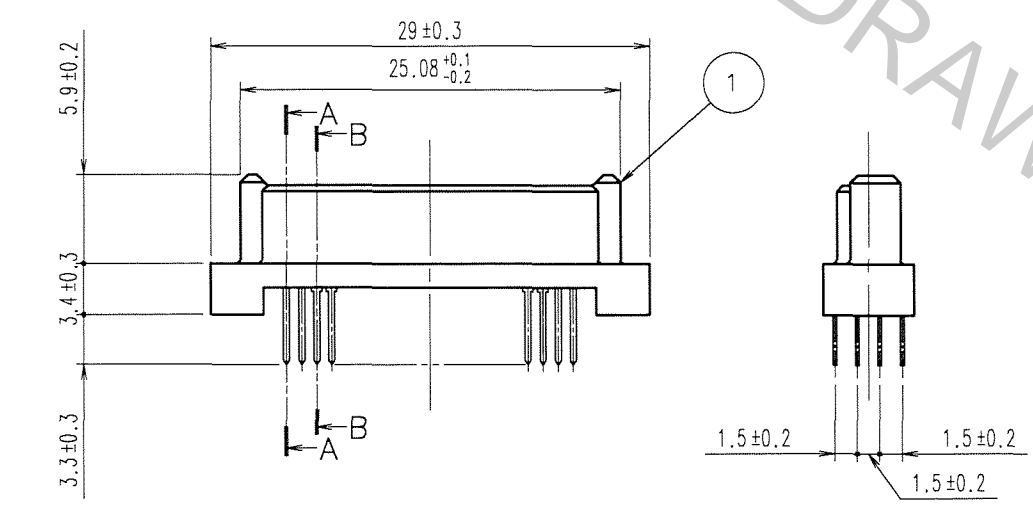
COUNT	DESCRIPTION OF REVISIONS	BY	CHKD	DATE	COUNT	DESCRIPTION OF REVISIONS	BY	CHKD	DATE
△				..	△				..
△				..	△				..
△				..	△				..

RECOMMENDED PC BOARD HOLE PATTERN (MOUNTING SIDE)
 APPLICABLE BOARD THICKNESS, 1.6



CONTACT SEQUENCE

SEQUENCE	PIN NO.
1	a1, a2, a19, a20 b1, b2, b19, b20
2	a3~a18 b3~b18



1	POLYAMIDE	BEIGE	UL94V-0	2	PHOSPHOR BRONZE	CONTACT AREA : GOLD 0.1μ m min. LEAD AREA : TIN-PLATING 1.2μ m min. UNDER PLATING : NICKEL 1μ m min.
NO.	MATERIAL	FINISH, REMARKS	NO.	MATERIAL	FINISH, REMARKS	

CODE NO. (OLD) CL	DRAWN K.DOI '07.02.20	DESIGNED K. Doi '07.02.20	CHECKED H. Ogawa '07.02.20	APPROVED H. Okawa '07.02.20	RELEASED ..
SCALE 2 : 1	DRAWING NO. EDC3-151517-21	PART NO. FX5-40S2A-DSA(71)			
UNITS mm	HRS HIROSE ELECTRIC CO., LTD	CODE NO. CL575-0105-2-71	1/1		

TO