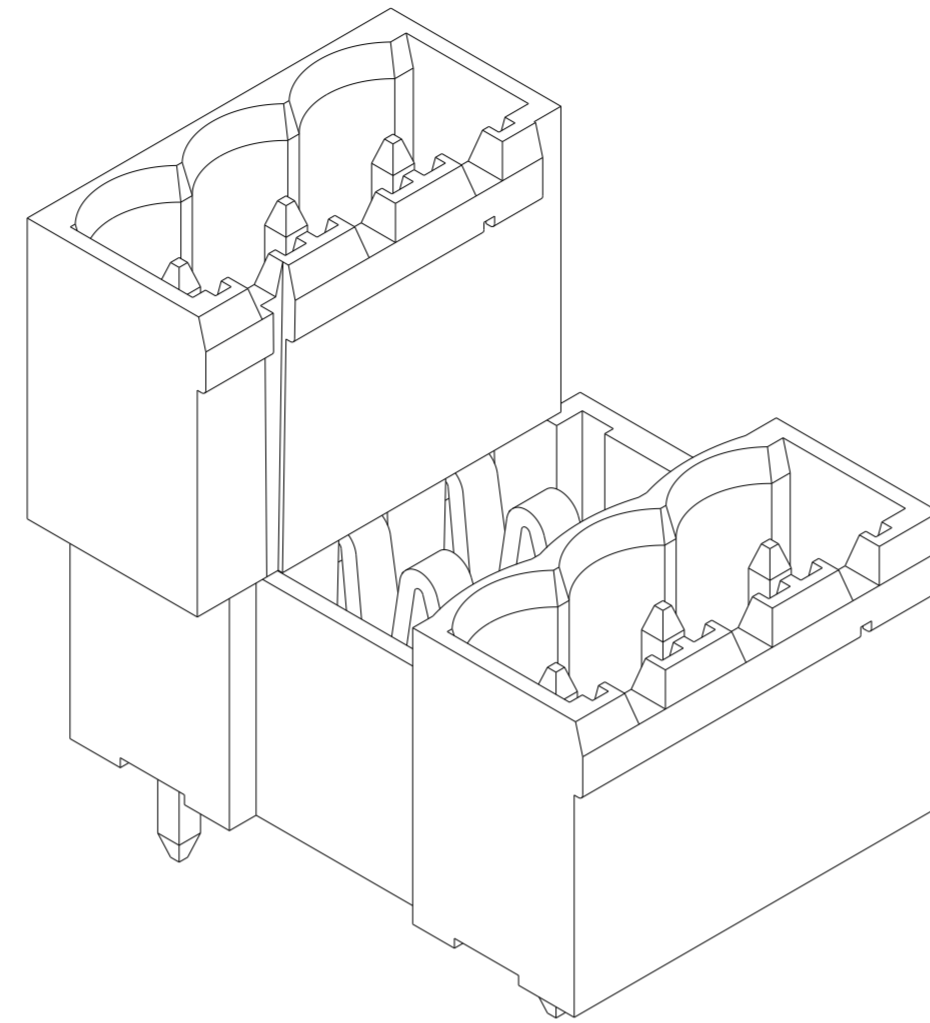
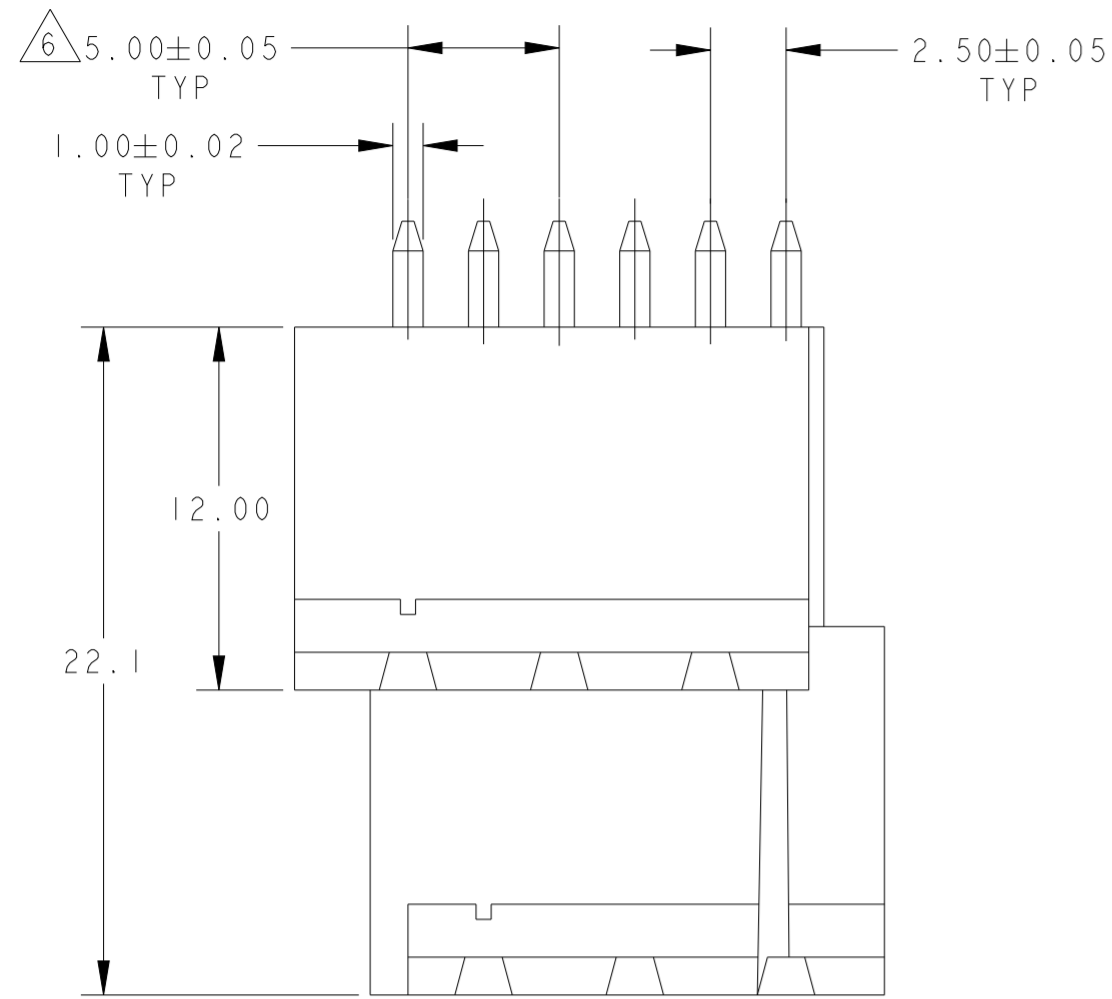
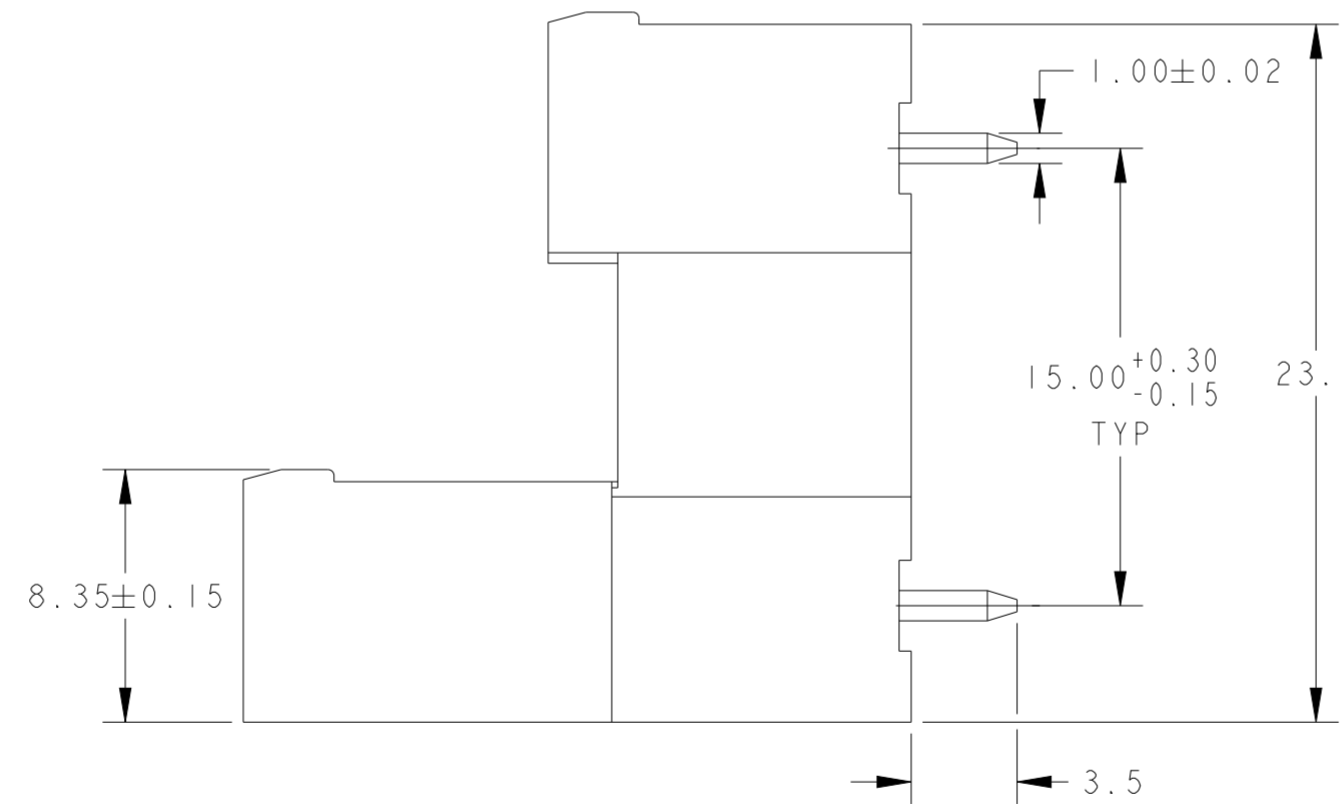
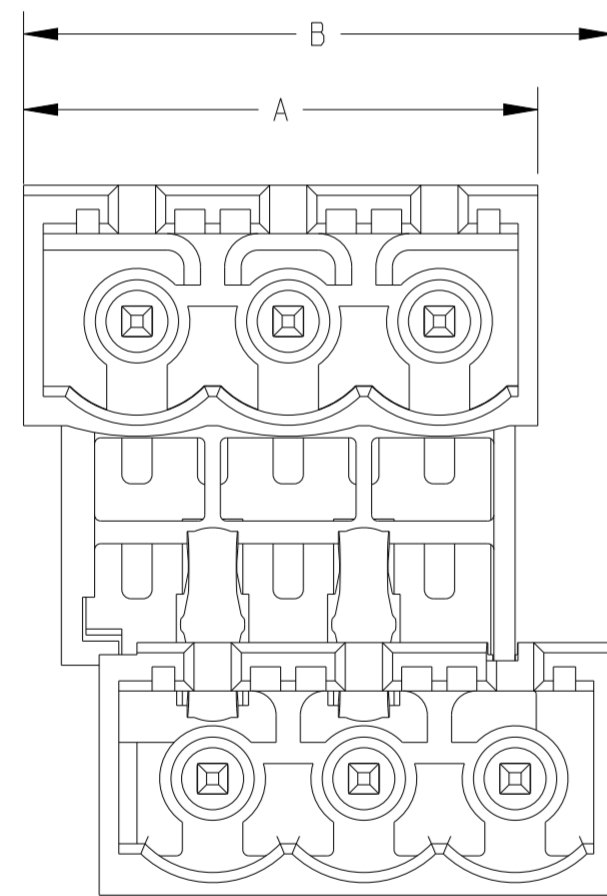


P	LTR	DESCRIPTION	DATE	DWN	APVD
01		REVISED PER ECO-12-007714	25APR2012	KH	MS
A		DESIGN IMPROVEMENT IN NEW MOLD	20JUL2020	DV	PS
B		REVISED AS PER PCN: E-20-012263	10NOV2021	SCB	SS

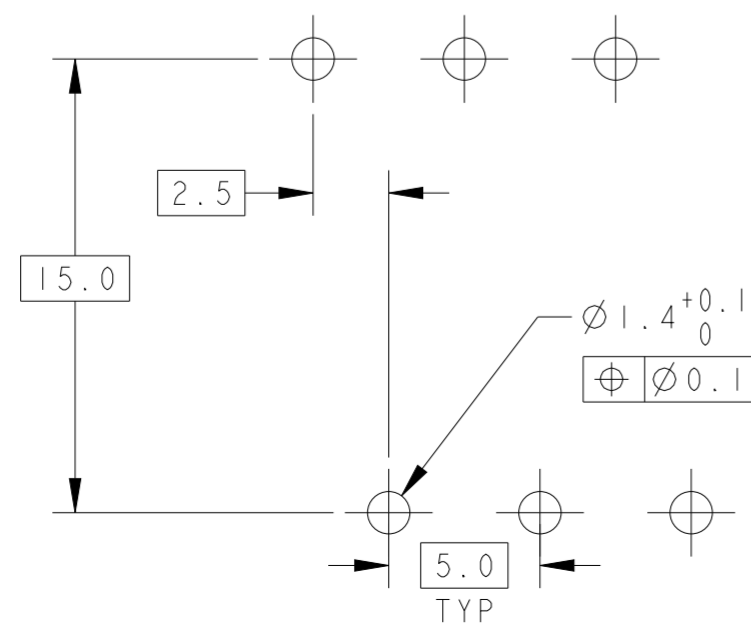


1776164-3 AS SHOWN

- 1. MATERIALS AND FINISH  
HOUSING: HIGH TEMPERATURE POLYAMIDE, UL 94V-0 RATED, COLOR: BLACK.  
TERMINAL: COPPER ALLOY, TIN PLATED.
- 2. SUITABLE FOR 1,6-2,4mm PC BOARD THICKNESS.
- 3. ELECTRICAL  
RATED VOLTAGE : 300 V  
RATED CURRENT : 12 A  
CONTACT RESISTANCE : < 15 mΩ  
INSULATION RESISTANCE: > 1000 MΩ (500V DC)
- 4. OPERATING TEMPERATURE RANGE: -40°C TO +110°C
- 5. P/N FROM 1776164-4 TO 1776164-8 ARE OBTAINED BY ASSEMBLING 1776164-2 AND 1776164-3 TO ACHIEVE THE DESIRED NUMBER OF POSITIONS.
- 6. NON CUMULATIVE TOLERANCE.



RECOMMENDED PC BOARD LAYOUT



44.50	42.00	8	1776164-8
39.50	37.00	7	1776164-7
34.50	32.00	6	1776164-6
29.50	27.00	5	1776164-5
24.50	22.00	4	1776164-4
19.50	17.00	3	1776164-3
14.50	12.00	2	1776164-2
B	A	NO OF POS	PART NUMBER

THIS DRAWING IS A CONTROLLED DOCUMENT.		DWN S. WELDON 12JUL2005	TE Connectivity	
DIMENSIONS: mm		CHK C. RICHARD 12JUL2005		
TOLERANCES UNLESS OTHERWISE SPECIFIED:		APVD C. RICHARD 12JUL2005	NAME TERMINAL BLOCK HEADER ASSEMBLY, MULTIPLE, 180 DEGREE, CLOSED ENDS, 5.00mm PITCH	
0 PLC ±.3 1 PLC ±.3 2 PLC ±.25 3 PLC ±. 4 PLC ±. ANGLES ±2° FINISH		PRODUCT SPEC -	SIZE A2	
MATERIAL		APPLICATION SPEC 114-20079	CAGE CODE 00779	DRAWING NO C-1776164
CUSTOMER DRAWING		WEIGHT -	RESTRICTED TO	SCALE 4:1 SHEET 1 OF 1 REV B