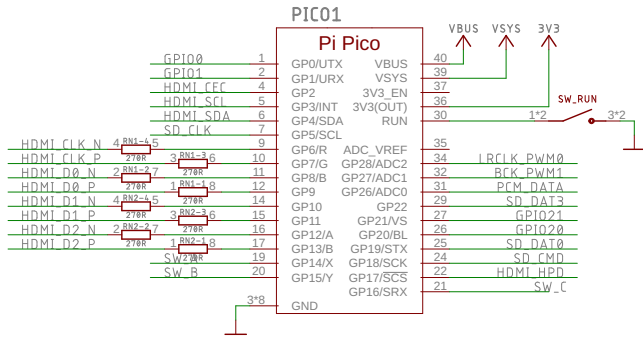
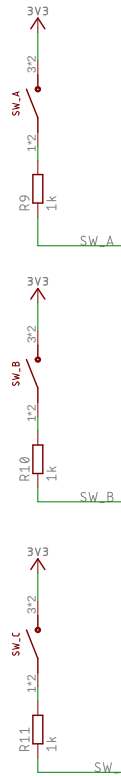


Pimoroni Pico DV Demo Base (PIM588)

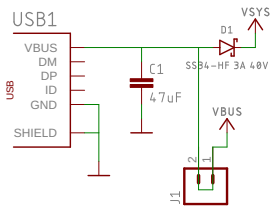
Pi Pico connector



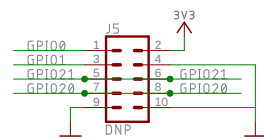
User Buttons



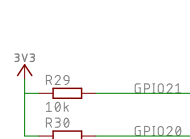
5V power in



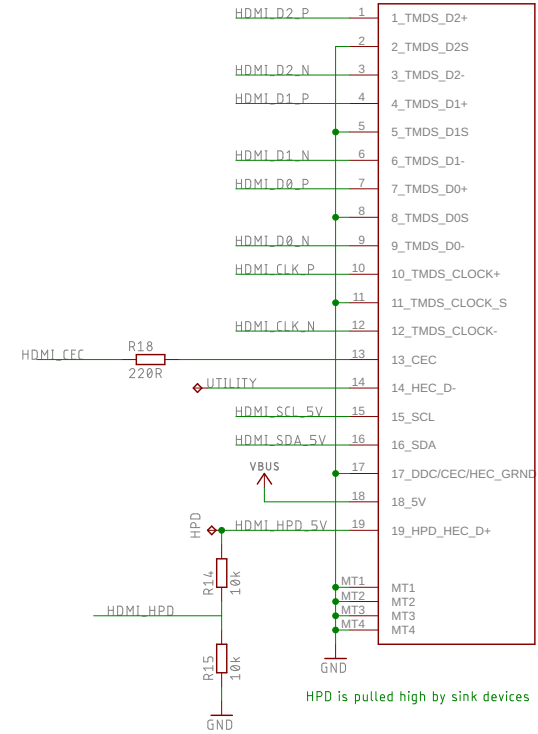
UART / 4-bit SD Selector



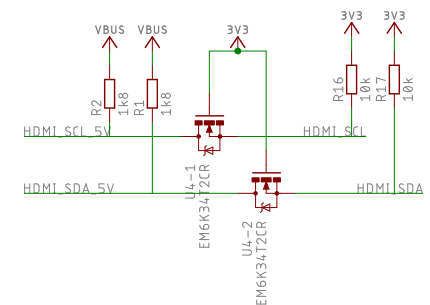
Pull-Ups



HDMI

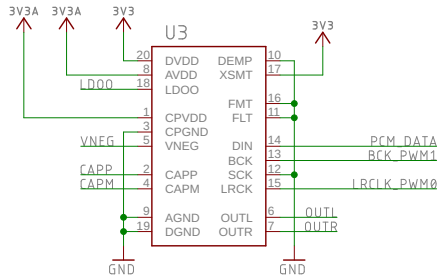


I2C level shifting for HDMI Comms

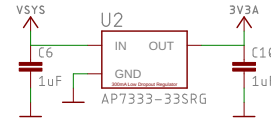


Pimoroni Pico DV Demo Base (PIM588)

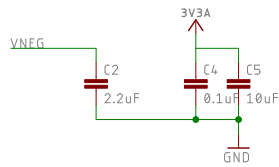
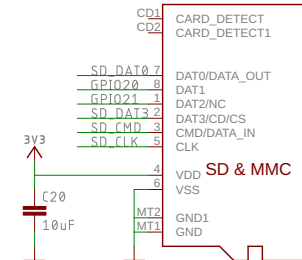
DAC w/ Supporting passives



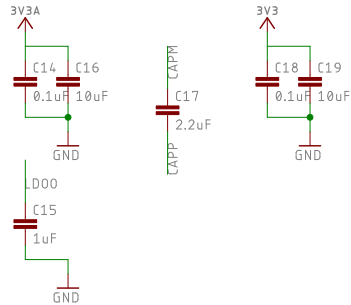
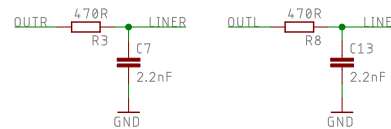
Audio Power



SD Card Socket



Audio Output Filters



Lineout Jack

