

4

3

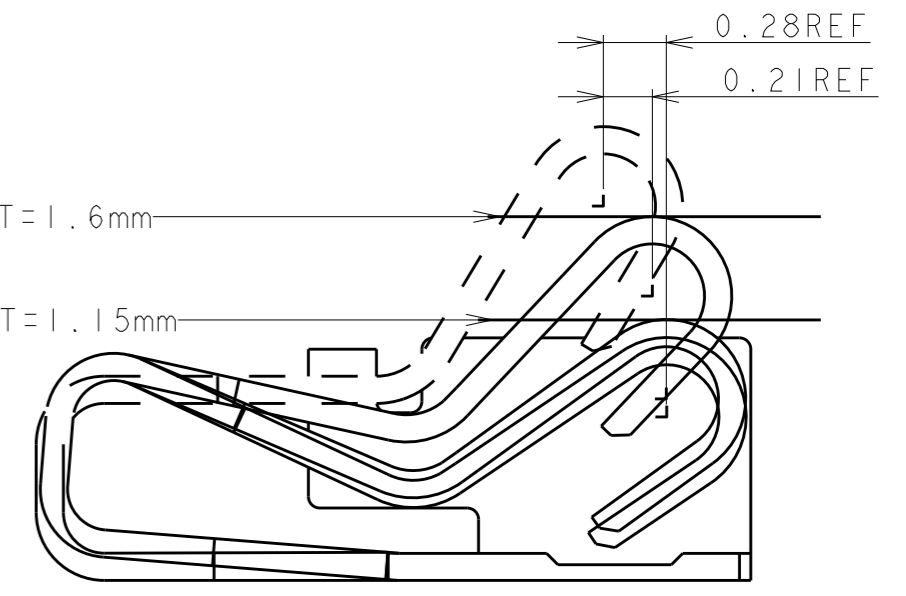
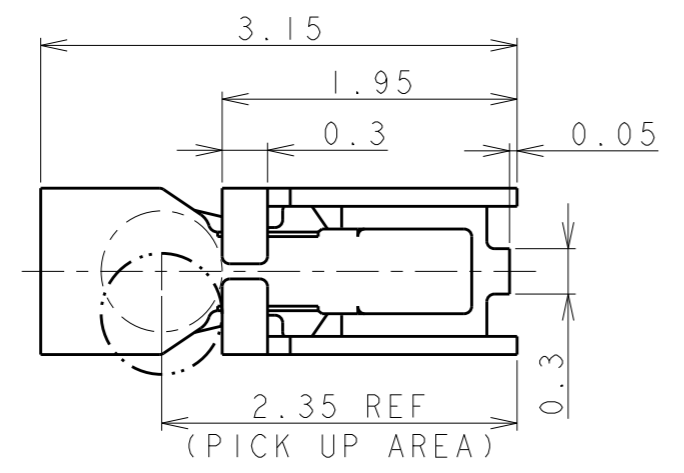
2

1

THIS DRAWING IS UNPUBLISHED. RELEASED FOR PUBLICATION 20
 © COPYRIGHT 20 BY - ALL RIGHTS RESERVED.

LOC	DIST	REVISIONS				
P	LTR	DESCRIPTION	DATE	DWN	APVD	
J	-	D1	REVISED	25APR2012	T.Z	S.Y
		D2	REVISED FOR ADD *-3, ADD NOTE 7	03JUN2013	R.W	S.Y

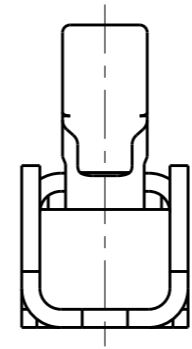
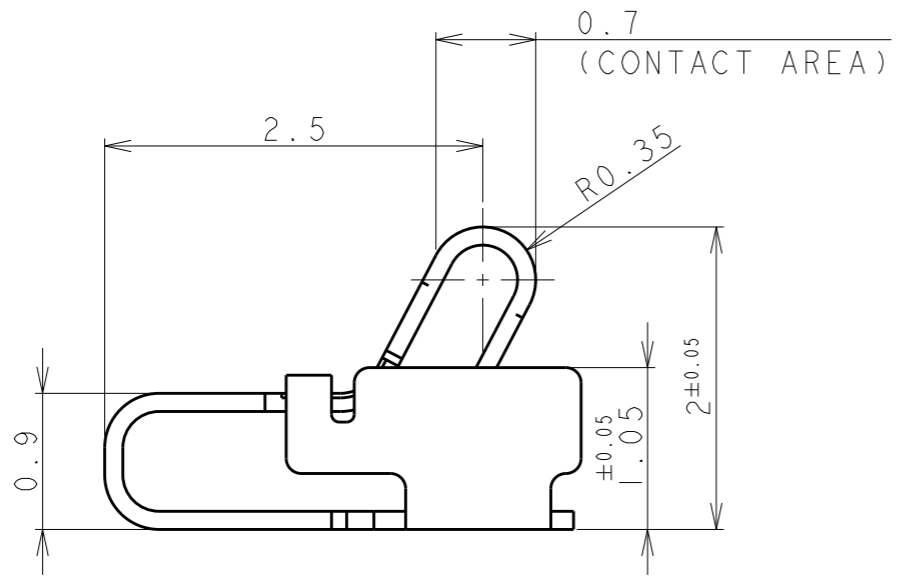
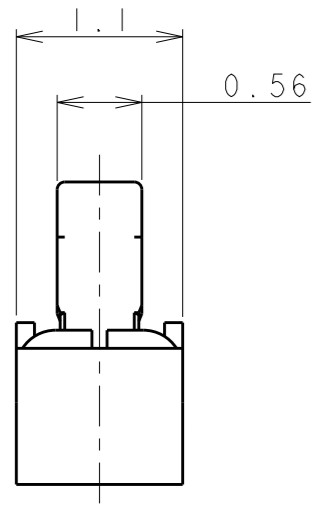
AS SHOWN: -1 & -3



PCB HEIGHT=1.6mm

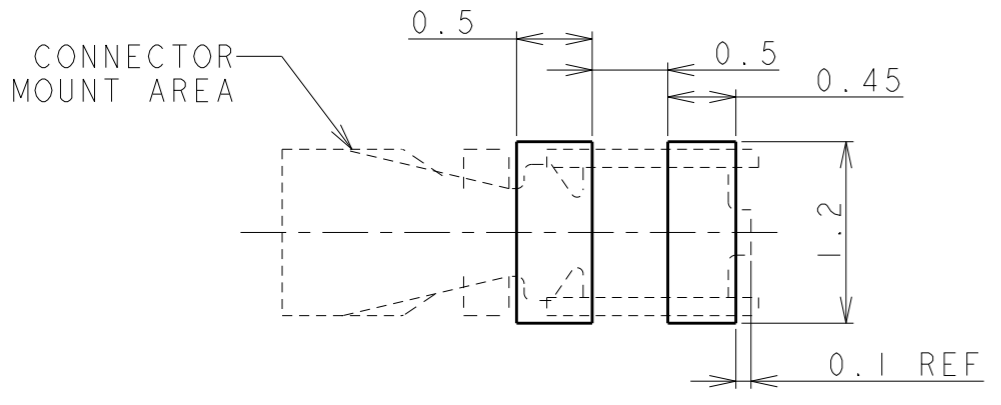
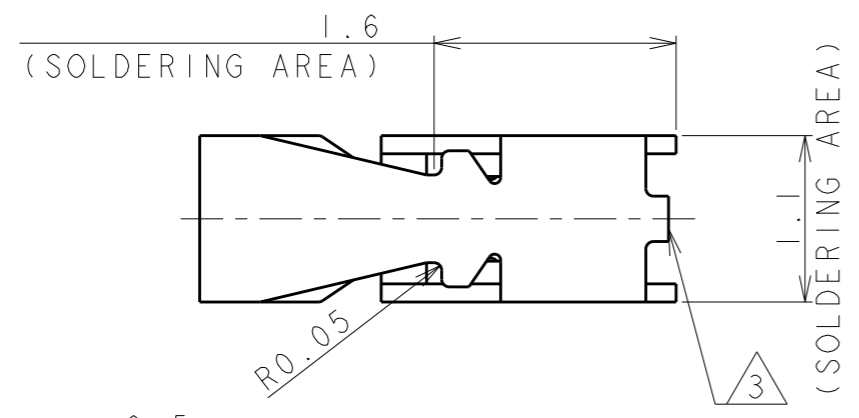
PCB HEIGHT=1.15mm

STROKE CONDITION (REFERENCE)
SCALE 30:1



NOTES:

- △ PRE-PLATING SPECIFICATION:
 Ni UNDER PLATING : 0.8um TO 2.0um
 Au PLATING (CONTACT PLATING) : 0.25um TO 0.5um
 AU PLATING (SOLDER PLATING) : 0.05um TO 0.5um
- △ MATERIAL : COPPER ALLOY, THK.=0.12mm
- △ CUTTING BURR : 0.05mm MAX.
- 4 CIRCUMFERENCE BURRS : 0.03mm MIN.
- 5 DISUSED PACKAGEING MATERIAL : DRYPACK AND BAKING PROCESS.
- △ POST-PLATING SPECIFICATION)
 Ni UNDER PLATING : 0.8um TO 2.0um
 Au PLATING (CONTACT PLATING) : 0.3um MIN.
 AU PLATING (SOLDER PLATING) : 0.01um TO 0.2um
- 7. NORMAL FORCE AT 1.60mm HEIGHT IS 0.3N MIN
 NORMAL FORCE AT 1.15mm HEIGHT IS 1.1N MAX



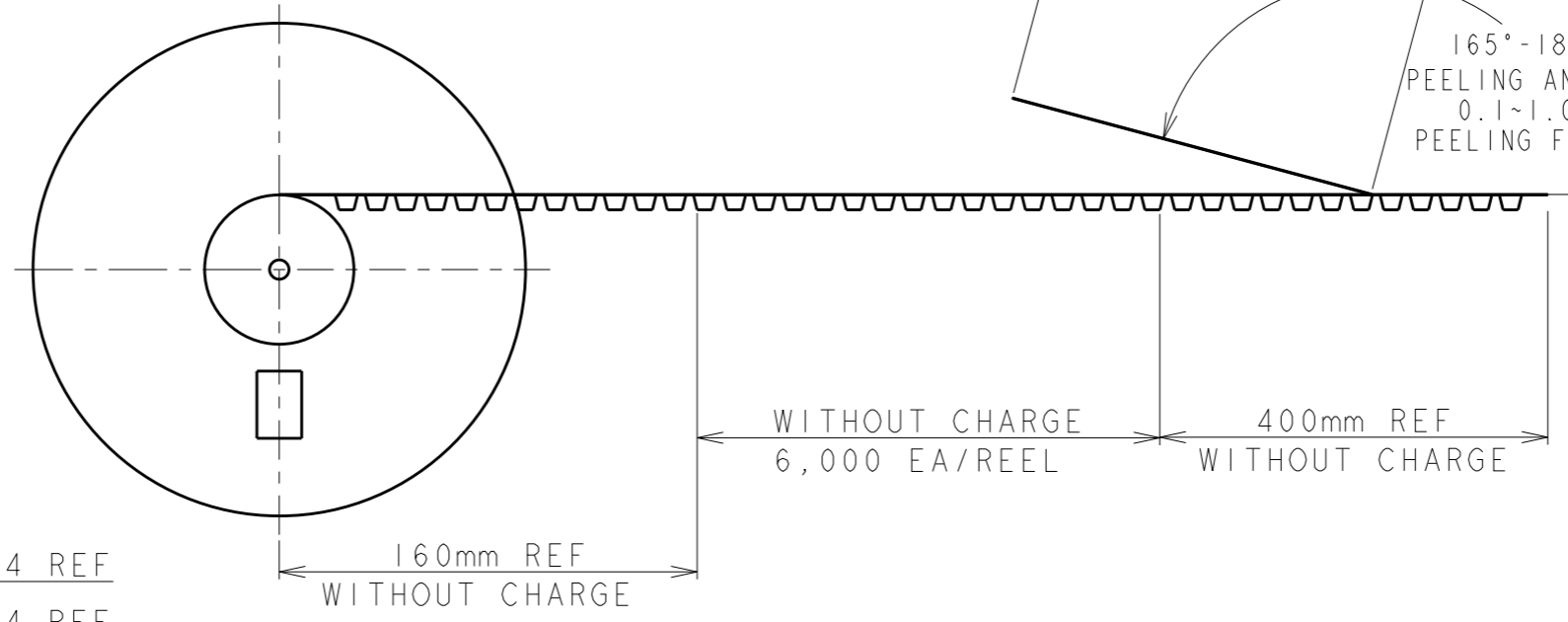
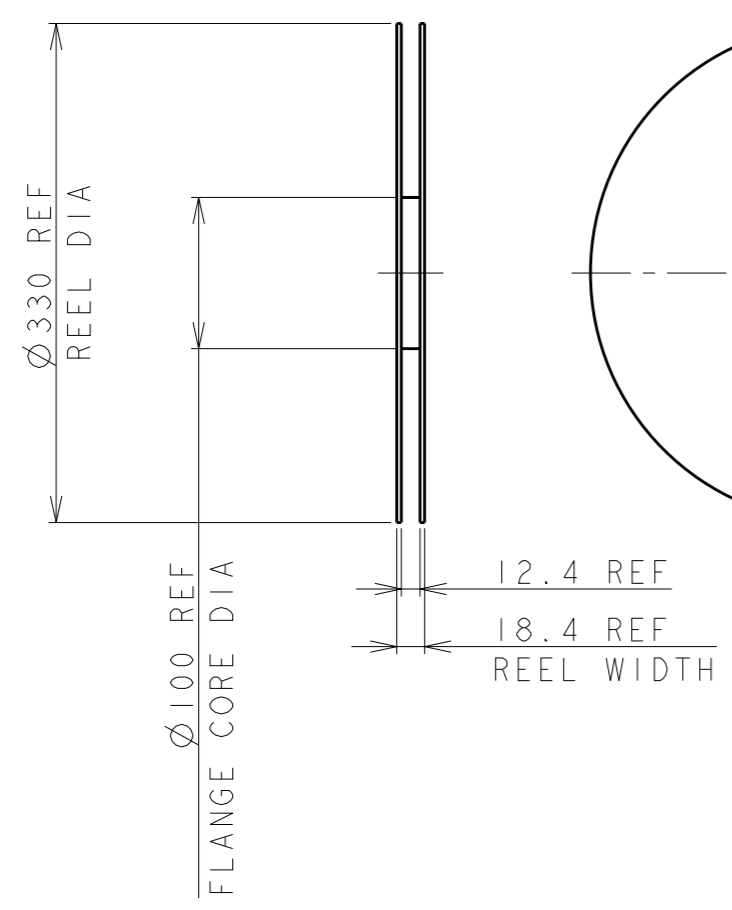
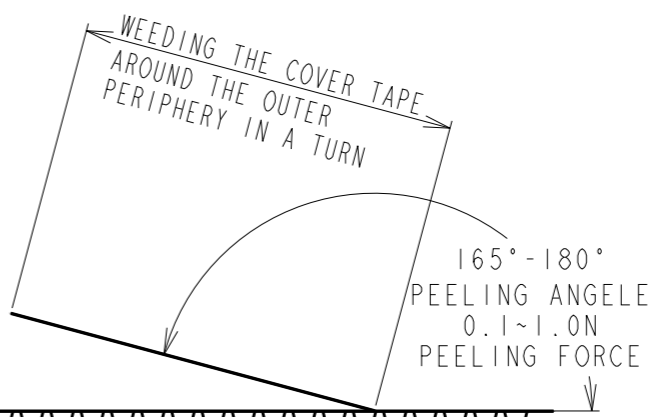
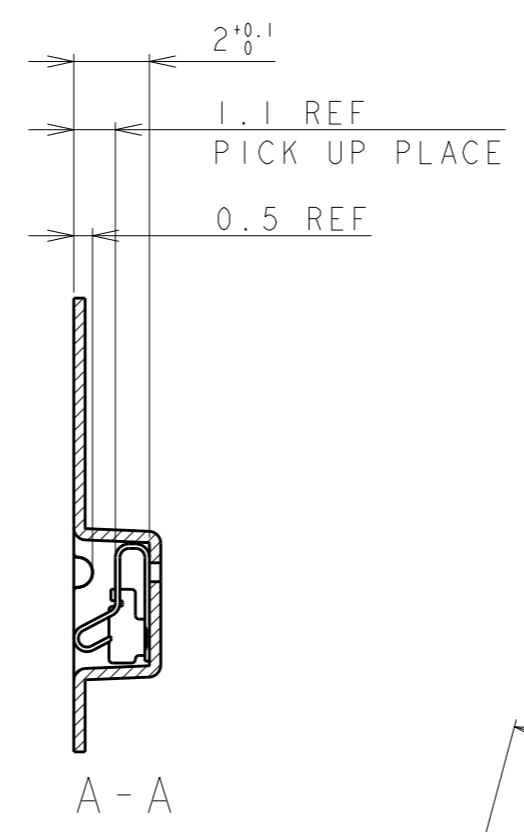
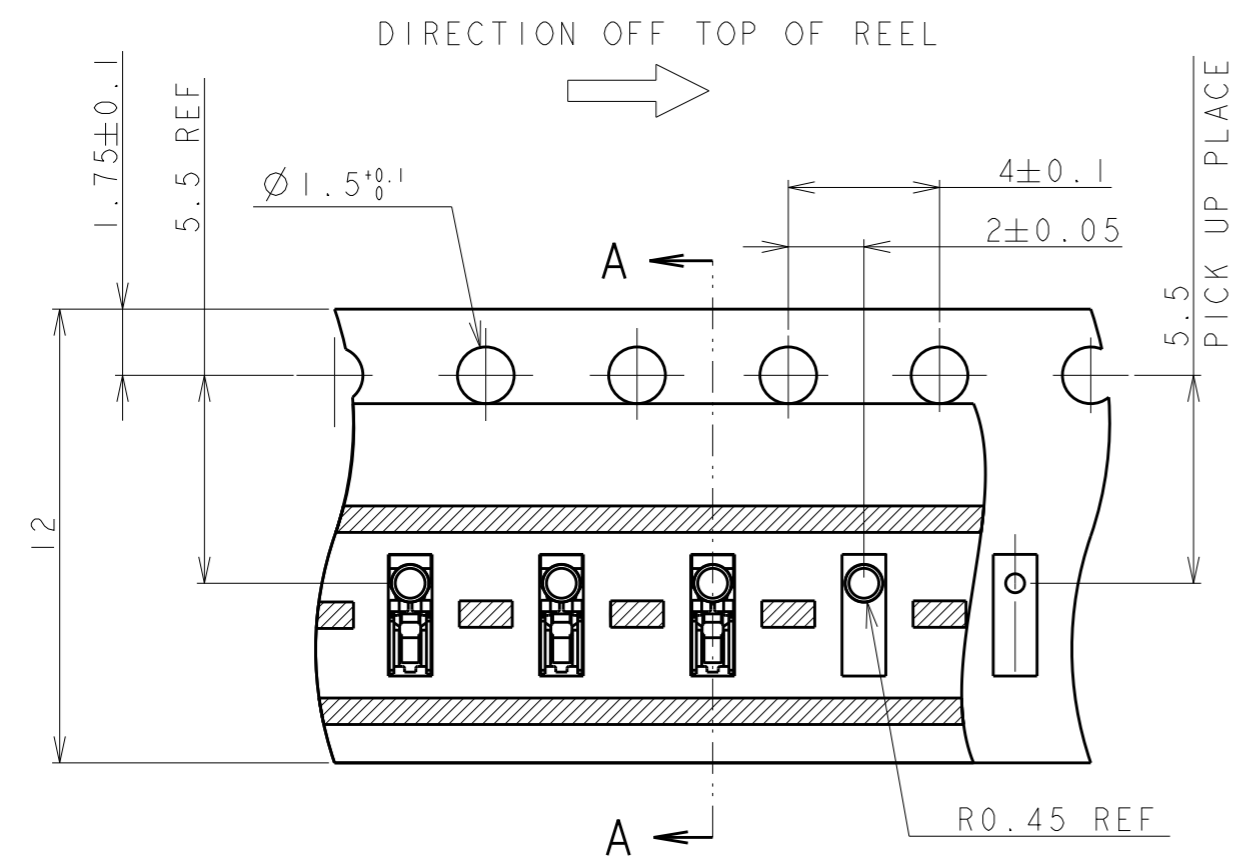
PCB LAYOUT (REFERENCE)
SCALE 20:1


N/A	△	△	1554901-3
108-78724	△	△	1554901-1
PRODUCT SPEC.	FINISH	MATERIAL	PART NUMBER

THIS DRAWING IS A CONTROLLED DOCUMENT.		DWN	06NOV2009	STE TE Connectivity
DIMENSIONS: mm		CHK	06NOV2009	
TOLERANCES UNLESS OTHERWISE SPECIFIED: ±0.15		APVD	06NOV2009	
0 PLC ± 1 PLC ±0.5 2 PLC ±0.13 3 PLC ±0.013 4 PLC ±0.000J ANGLES ±3		NAME	-	
MATERIAL		PRODUCT SPEC		SHIELD FINGER 2011
FINISH		APPLICATION SPEC		SIZE
△ 2 △ 1		WEIGHT		0.0098 g
Customer Drawing		SCALE		20:1
		SHEET		1 OF 2
		REV		D2

THIS DRAWING IS UNPUBLISHED. RELEASED FOR PUBLICATION 20
 © COPYRIGHT 20 BY - ALL RIGHTS RESERVED.

LOC	DIST	REVISIONS			
P	LTR	DESCRIPTION	DATE	DWN	APVD
J	-	SEE SHEET 1	-	-	-



THIS DRAWING IS A CONTROLLED DOCUMENT.		DWN	Y. KUDO	06NOV2009	 TE Connectivity
DIMENSIONS: mm		CHK	C. OHASHI	06NOV2009	
TOLERANCES UNLESS OTHERWISE SPECIFIED: ±0.2		APVD	Y. NAKAZAWA	06NOV2009	
0 PLC ± 1 PLC ±0.5 2 PLC ±0.13 3 PLC ±0.013 4 PLC ±0.000J ANGLES ±3		PRODUCT SPEC	NAME		
MATERIAL		APPLICATION SPEC	108-78724		SHIELD FINGER 2011
FINISH		WEIGHT	0.0098 g		RESTRICTED TO
Customer Drawing		SCALE	20:1		SHEET 2 OF 2
		REV	D2		