

Constant Current Relay Driver

IFX52001

CCRD

Data Sheet

Rev.1.01, 2015-10-23

Standard Power

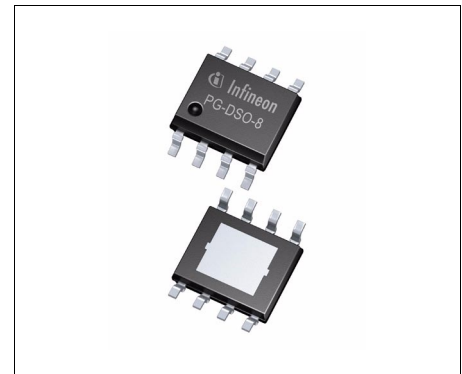
1	Overview	3
	Features	3
	Description	3
2	Block Diagram	4
3	Pin Configuration	5
3.1	Pin Assignment	5
3.2	Pin Definitions and Functions	5
4	General Product Characteristics	6
4.1	Absolute Maximum Ratings	6
4.2	Functional Range	7
4.3	Thermal Resistance	7
5	Operation Modes	8
5.1	Description	8
5.2	Electrical Characteristics	11
6	Package Outlines	13
	Green Product	13
7	Revision History	14



1 Overview

Features

- Reduces relay hold current to min. 40 mA
- Functional at low supply voltage
- Active freewheeling path using relay integrated freewheeling resistor
- Overtemperature protection
- Green Product (RoHS compliant)



PG-DSO-8 (exposed pad)

Description

The IFX52001 is intended to drive relays with a constant current in order to reduce the coil current during relay hold phase. For relay activation, the IC pass element works as an activated switch for a limited period of time. After the activation time period has elapsed, the IC reduces the relay coil current to a lower constant value. Different operation modes allow adequate functionality also at very low or very high supply voltage.

The IC is suited to operate with relay coil inductance, freewheeling resistor, operating voltage and environment conditions as required in industrial applications. For more details please refer to the operation range and electrical characteristics tables.

The qualification of this product is based on JEDEC JESD47 and may reference existing qualification results of similar products. Such referencing is justified by the structural similarity of the products. The product is not qualified and manufactured according to the requirements of Infineon Technologies with regard to automotive and/or transportation applications. Infineon Technologies administrated a comprehensive quality management system according to the latest version of the ISO9001 and ISO/TS 16949.

The most updated certificates of the aforesaid ISO9001 and ISO/TS 16949 are available on the Infineon Technologies web page <http://www.infineon.com/cms/en/product/technology/quality/>

Type	Package	Marking
IFX52001	PG-DSO-8 (exposed pad)	IFX52001

Block Diagram

2 Block Diagram

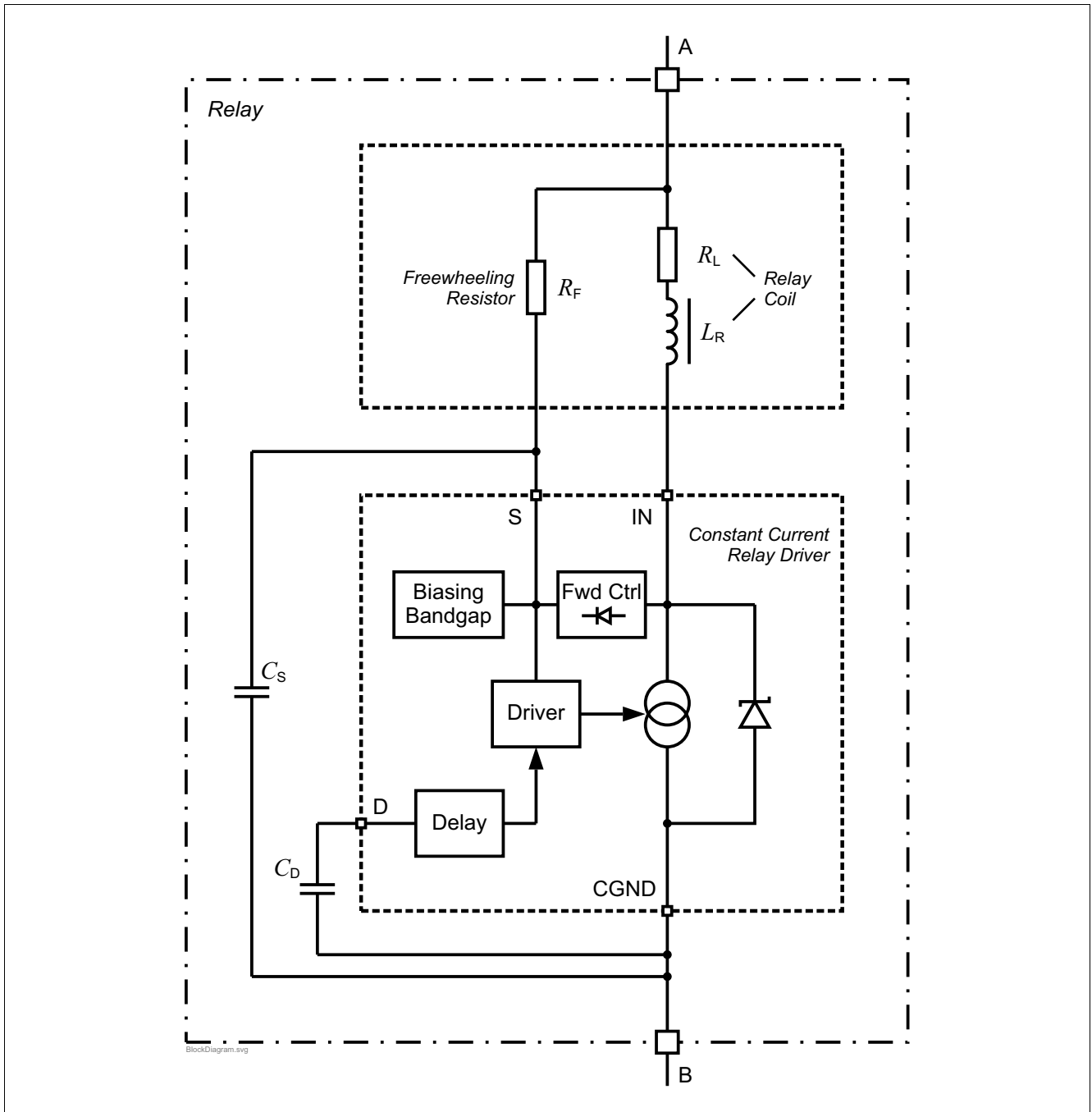


Figure 1 Block Diagram and Simplified Application Circuit

 Pin Configuration

3 Pin Configuration

3.1 Pin Assignment

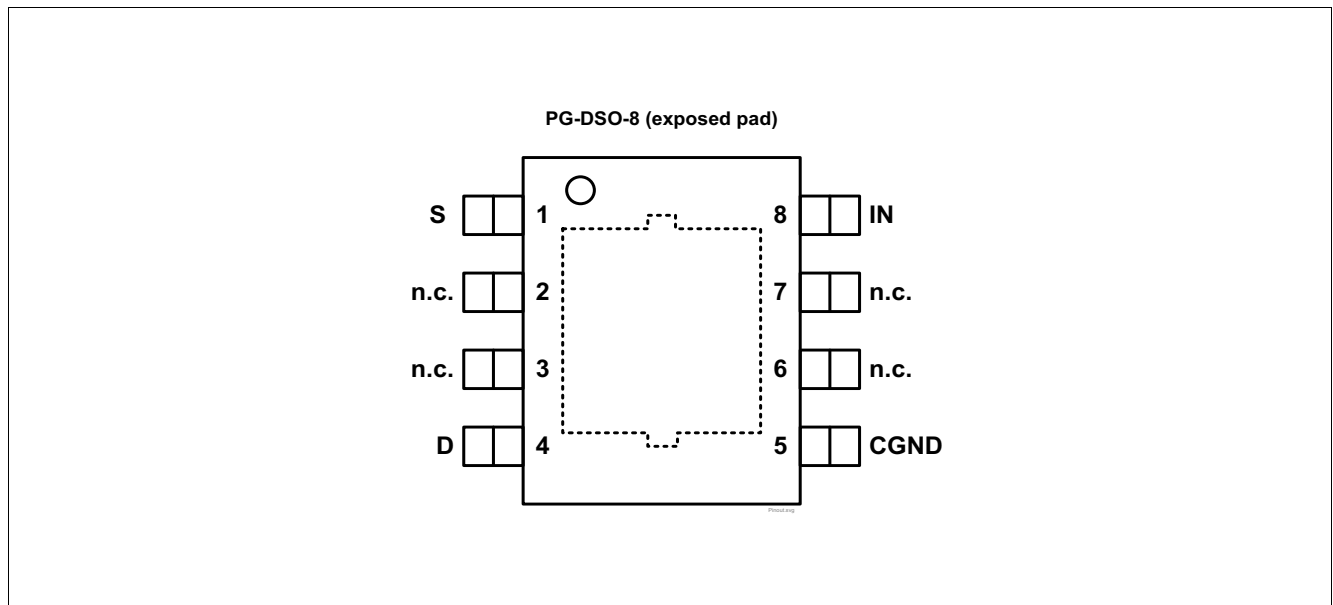


Figure 2 Pin Configuration

3.2 Pin Definitions and Functions

Pin	Symbol	Function
1	S	IC Supply; connect to relay coil freewheeling resistor according to Figure 1 .
2, 3, 6, 7	n.c.	Not Connected; connection to heat sink area and CGND recommended.
4	D	Delay; for generating the activation time length, connect a ceramic capacitor between pin D and CGND.
5	CGND	Relay Coil Current Output and IC Ground;
8	IN	Relay Coil Current Input; connect to relay coil according to Figure 1 .
Exposed Pad	–	Exposed Pad; interconnect with CGND and heat sink area on PCB.

 General Product Characteristics

4 General Product Characteristics

4.1 Absolute Maximum Ratings

Table 1 Absolute Maximum Ratings ¹⁾

$T_j = -40\text{ °C}$ to $+125\text{ °C}$; all voltages with respect to CGND, positive current flowing into pin (unless otherwise specified)

Parameter	Symbol	Values			Unit	Note or Test Condition	Number
		Min.	Typ.	Max.			
Pin S (IC Supply)							
Voltage at pin S	V_S	-0.3	-	45	V	$V_S > V_{IN}$ or V_{IN} open; I_S externally not limited	P_4.1.1
Current into pin S	I_S	-400	-	-	mA	$V_S < -0.3V$	P_4.1.2
Pin IN (Relay Coil Current Input)							
Voltage at pin IN	V_{IN}	-0.3	-	30	V	$V_S > V_{IN}$ or V_S open; I_{IN} externally not limited	P_4.1.3
Current into pin IN	I_{IN}	-250	-	400	mA	-	P_4.1.4
Pin D (Delay)							
Voltage at pin D	V_D	-0.3	-	6.8	V	-	P_4.1.5
Temperatures							
Junction Temperature	T_j	-40	-	150	°C	-	P_4.1.6
Storage Temperature	T_{stg}	-55	-	150	°C	-	P_4.1.7
ESD Susceptibility							
ESD Resistivity to CGND	$V_{ESD,HBM}$	-2	-	2	kV	HBM ²⁾	P_4.1.8
ESD Resistivity middle pins	$V_{ESD,CDM}$	-1	-	1	kV	CDM ³⁾	P_4.1.9

1) Not subject to production test, specified by design.

2) ESD susceptibility, Human Body Model "HBM" according to EIA/JESD 22-A114B

3) ESD susceptibility, Charged Device Model "CDM" according to EIA/JESD22-C101 or ESDA STM5.3.1

Note: Stresses above the ones listed here may cause permanent damage to the device. Exposure to absolute maximum rating conditions for extended periods may affect device reliability. Integrated protection functions are designed to prevent IC destruction under fault conditions described in the data sheet. Fault conditions are considered as "outside" normal operating range. Protection functions are not designed for continuous repetitive operation.

General Product Characteristics

4.2 Functional Range

Table 2 Functional Range

Parameter	Symbol	Values			Unit	Note or Test Condition	Number
		Min.	Typ.	Max.			
Supply Voltage	V_S	3	–	30	V	–	P_4.2.1
Input Capacitance	C_S	70	–	–	nF	typ. 100 nF/50 V recommended for compensating line influences	P_4.2.2
Delay Capacitance	C_D	250	–	–	nF	typ. 470 nF/6.3 V recommended	P_4.2.3
Junction Temperature	T_j	-40	–	125	°C	–	P_4.2.4
Relay Coil Inductance	L_R	–	–	1000	mH	–	P_4.2.5
Relay Coil Series Resistance	R_L	60	–	120	Ω	–	P_4.2.6
Relay Freewheeling Resistor	R_F	420	–	750	Ω	–	P_4.2.7

Note: Within the functional range the IC operates as described in the circuit description. The electrical characteristics are specified within the conditions given in the related electrical characteristics table.

4.3 Thermal Resistance¹⁾

Table 3 Thermal Resistance

Parameter	Symbol	Values			Unit	Note or Test Condition	Number
		Min.	Typ.	Max.			
PG-DSO-8 (exposed pad):							
Junction to Case Bottom	R_{thJC}	–	10	–	K/W	–	P_4.3.1
Junction to Ambient	R_{thJA}	–	70	–	K/W	¹⁾	P_4.3.2

1) EIA/JESD 52_2, FR4, 80 × 80 × 1.5 mm; 35 μ m Cu, 5 μ m Sn; 300 mm²

1) Not subject to production test, specified by design.

Operation Modes

5 Operation Modes

5.1 Description

The IFX52001 provides two different operation modes:

- Activation mode:
For relay activation, the IC pass element works as an activated switch with lowest dropout voltage V_{DR} (see [Figure 3 a](#)).
- Hold mode:
After the activation time period t_{Actv} has elapsed, the IC switches to hold mode regulating the relay coil current to constant values (see [Figure 3 b](#)).

During commutation, the relay coil current flows from the IC input “IN” to “S” into the relay freewheeling resistor. A Zener structure protects the IC from overvoltage by limiting the input voltage transient to V_Z .

The relay activation time period t_{Actv} is generated by charging the external capacitor C_D at pin D with a constant current. This time period starts once the IC supply voltage exceeds $V_{S,Start}$. In case the IC supply voltage V_S drops below the threshold $V_{S,Hold-Actv}$, the IC changes to active mode allowing maximum relay current at low supply voltage.

At low supply voltage, the IC switches to Low Voltage Mode with lowest current consumption. As in activation mode, the IC is working as a switch with lowest dropout voltage.

In order to prevent excessive power dissipation at high supply voltage, the IC is working as a switch (High Voltage Mode). A transition to Hold Mode during this mode is not possible.

An overtemperature protection circuit protects the IC from immediate destruction in fault condition by reducing output current. A thermal balance below 200 °C junction temperature will be established. Please note that a junction temperature above 150 °C is outside the maximum ratings and reduces IC lifetime.

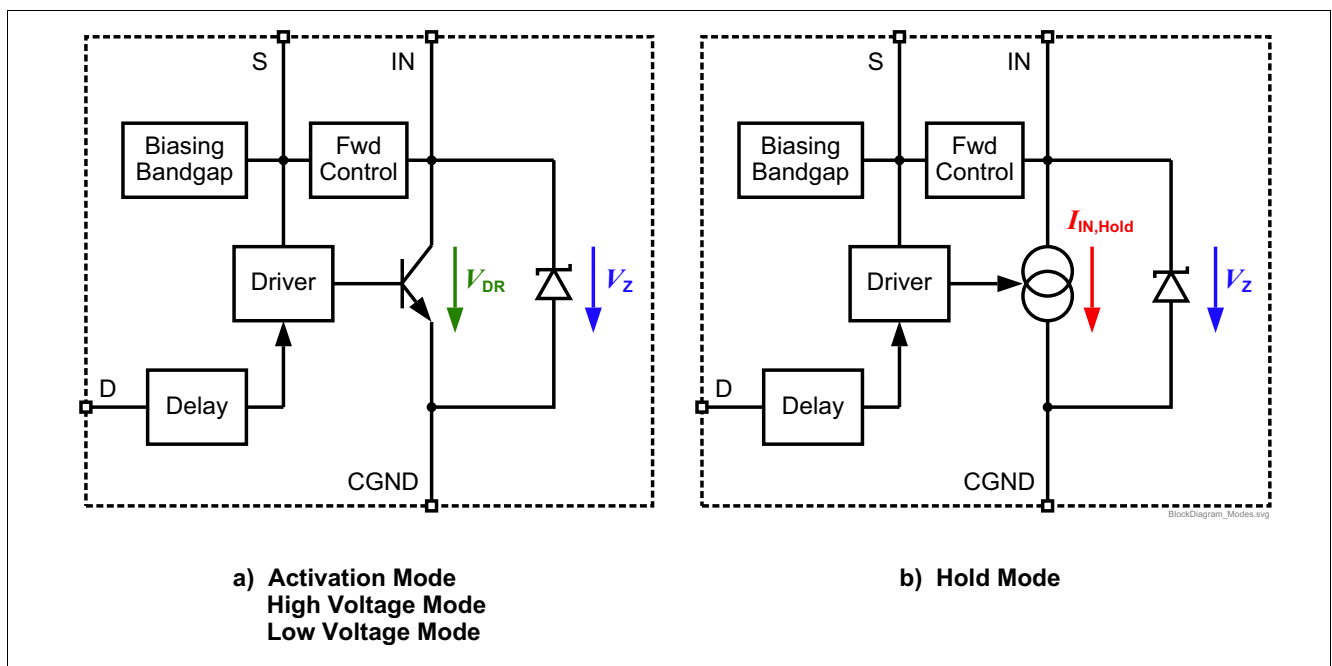


Figure 3 Operation as Switch or as Current Source

Operation Modes

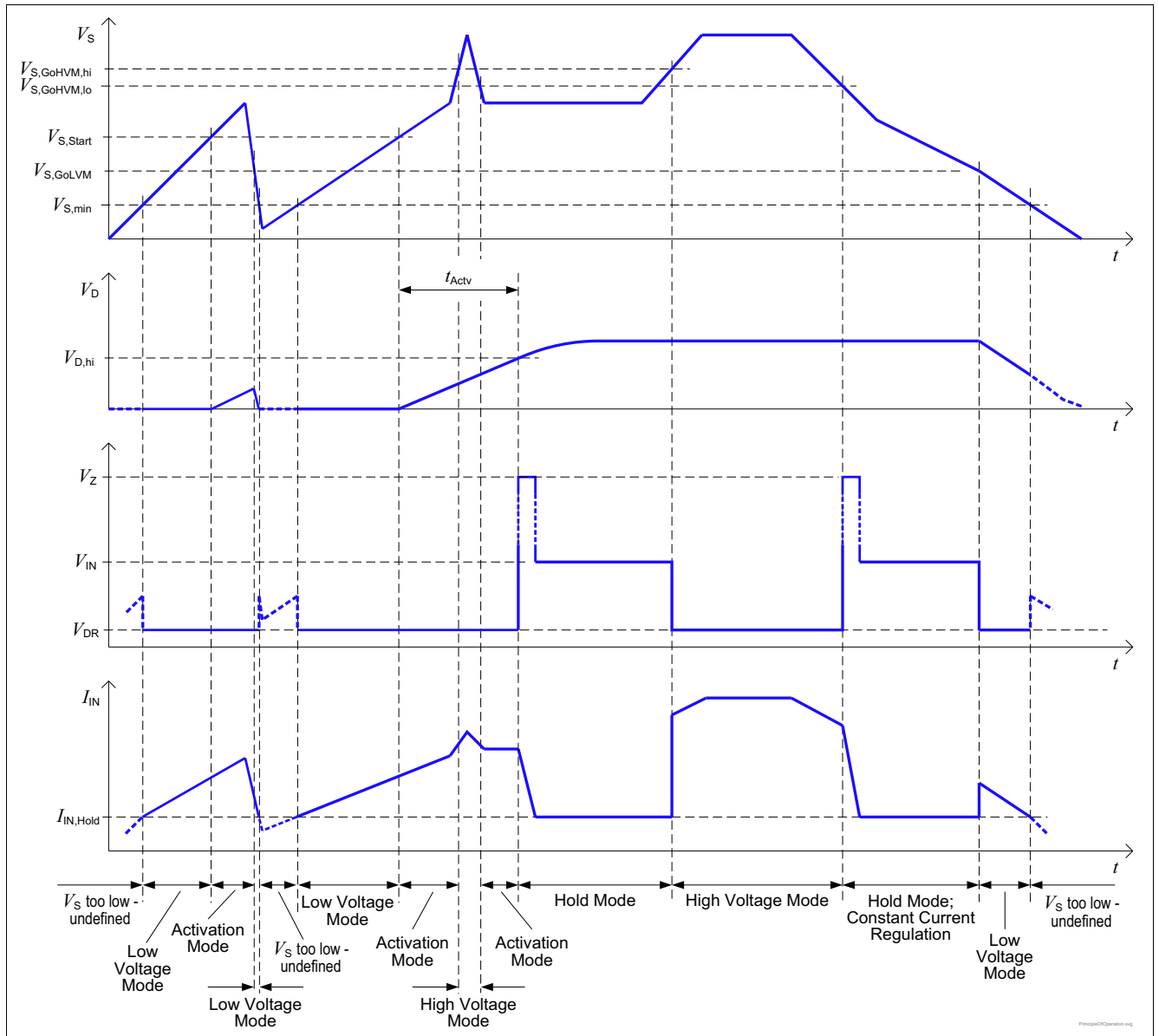


Figure 4 Principle of Operation

Operation Modes

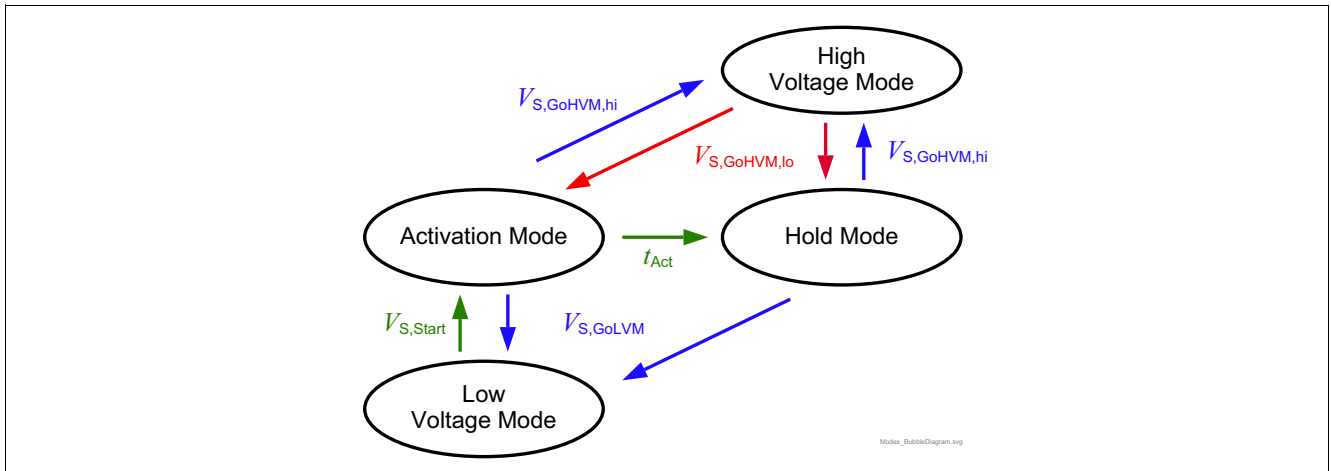


Figure 5 Conditions of Transitions between Modes, Definition of Parameters

Operation Modes

5.2 Electrical Characteristics

Table 4 Electrical Characteristics, $T_j = -40\text{ °C}$ to $+125\text{ °C}$,
all voltages with respect to ground, positive current flowing into pin (unless otherwise specified)

Parameter	Symbol	Values			Unit	Note or Test Condition	Number
		Min.	Typ.	Max.			
General							
Freewheeling path drop voltage	V_{IN-S}	–	1	2	V	$I_{IN-S} = 400\text{ mA}$	P_5.2.1
Input Zener Voltage	V_Z	30	–	45	V	$I_Z = 50\text{ mA}$	P_5.2.2
Overtemperature Shutdown Threshold ¹⁾	$T_{j,SD}$	151	–	200	°C	T_j increasing due to power dissipation generated by the IC	P_5.2.3
Activation Mode, $V_S \geq V_{S,Start}$, unless otherwise specified							
Activation Mode Timing Start Supply Voltage Threshold	$V_{S,Start}$	7	8	9	V	V_S increasing	P_5.2.4
Activation Time Period	t_{Actv}	65	100	135	ms	$C_D = 470\text{ nF}$	P_5.2.5
Dropout Voltage Activation Mode	$V_{DR,Actv}$	–	0.9	1.3	V	$I_{IN} = 200\text{ mA}$ $V_S = 9\text{ V}$	P_5.2.6
Current consumption Activation Mode	$I_{S,Actv}$	–	0.85	1.5	mA	$I_{IN} = 200\text{ mA}$ $V_S = 9\text{ V}$	P_5.2.7
Hold Mode, $V_{S,GoHVM} \geq V_S \geq V_{S,GoLVM}$, unless otherwise specified							
Relay coil hold current	$I_{IN,Hold}$	40	50	60	mA	–	P_5.2.8
Current consumption Hold Mode	$I_{S,Hold}$	–	0.85	1.5	mA	$V_S = 9\text{ V}$	P_5.2.9
		–	1	1.8	mA	$V_S = 18\text{ V}$	
Low Voltage Mode, $V_{S,Start} \geq V_S \geq 3\text{ V}$, unless otherwise specified							
Go to Low Voltage Mode Threshold	$V_{S,GoLVM}$	6	7	8	V	V_S decreasing	P_5.2.10
Go to Low Voltage Mode Hysteresis	$V_{S,GoLVM,hy}$	0.7	1	–	V	Calculated value: $V_{S,GoLVM,hy} = V_{S,Start} - V_{S,GoLVM}$	P_5.2.11
Dropout voltage Low Voltage Mode	$V_{DR,LVM}$	–	0.85	1.3	V	$I_{IN} = 40\text{ mA}$	P_5.2.12
Dropout voltage Low Voltage Mode	$V_{DR,LVM}$	–	0.85	1.0	V	$I_{IN} = 40\text{ mA}; T_j = 25\text{ °C}$	P_5.2.13
Current consumption Low Voltage Mode	$I_{S,LVM}$	–	0.65	1.1	mA	$V_S = 3\text{ V}; I_{IN} = I_{IN,Hold}$	P_5.2.14
		–	0.85	1.4	mA	$V_S = 7\text{ V}; I_{IN} = I_{IN,Hold}$	

Operation Modes
**Table 4 Electrical Characteristics, $T_j = -40\text{ °C}$ to $+125\text{ °C}$,
all voltages with respect to ground, positive current flowing into pin (unless otherwise specified)**

Parameter	Symbol	Values			Unit	Note or Test Condition	Number
		Min.	Typ.	Max.			
High Voltage Mode, $V_S \geq V_{S,GoHVM}$, unless otherwise specified							
Go to High Voltage Mode Upper Threshold	$V_{S,GoHVM,hi}$	19	–	21	V	V_S increasing	P_5.2.15
Go to High Voltage Mode Lower Threshold	$V_{S,GoHVM,lo}$	18	–	20	V	V_S decreasing	P_5.2.16
Go to High Voltage Mode Hysteresis	$V_{S,GoHVM,hy}$	0.7	1	–	V	Calculated value: $V_{S,GoHVM,hy} = V_{S,GoHVM,hi} - V_{S,GoHVM,lo}$	P_5.2.17
Dropout Voltage High Voltage Mode	$V_{DR,HVM}$	–	1.1	1.6	V	$I_{IN} = 400\text{ mA}$; $V_S = 28\text{ V}$	P_5.2.18
Current Consumption High Voltage Mode	$I_{S,HVM}$	–	1	1.8	mA	$I_{IN} = 400\text{ mA}$; $V_S = 28\text{ V}$	P_5.2.19

1) Specified by design, not subject to production test.

6 Package Outlines

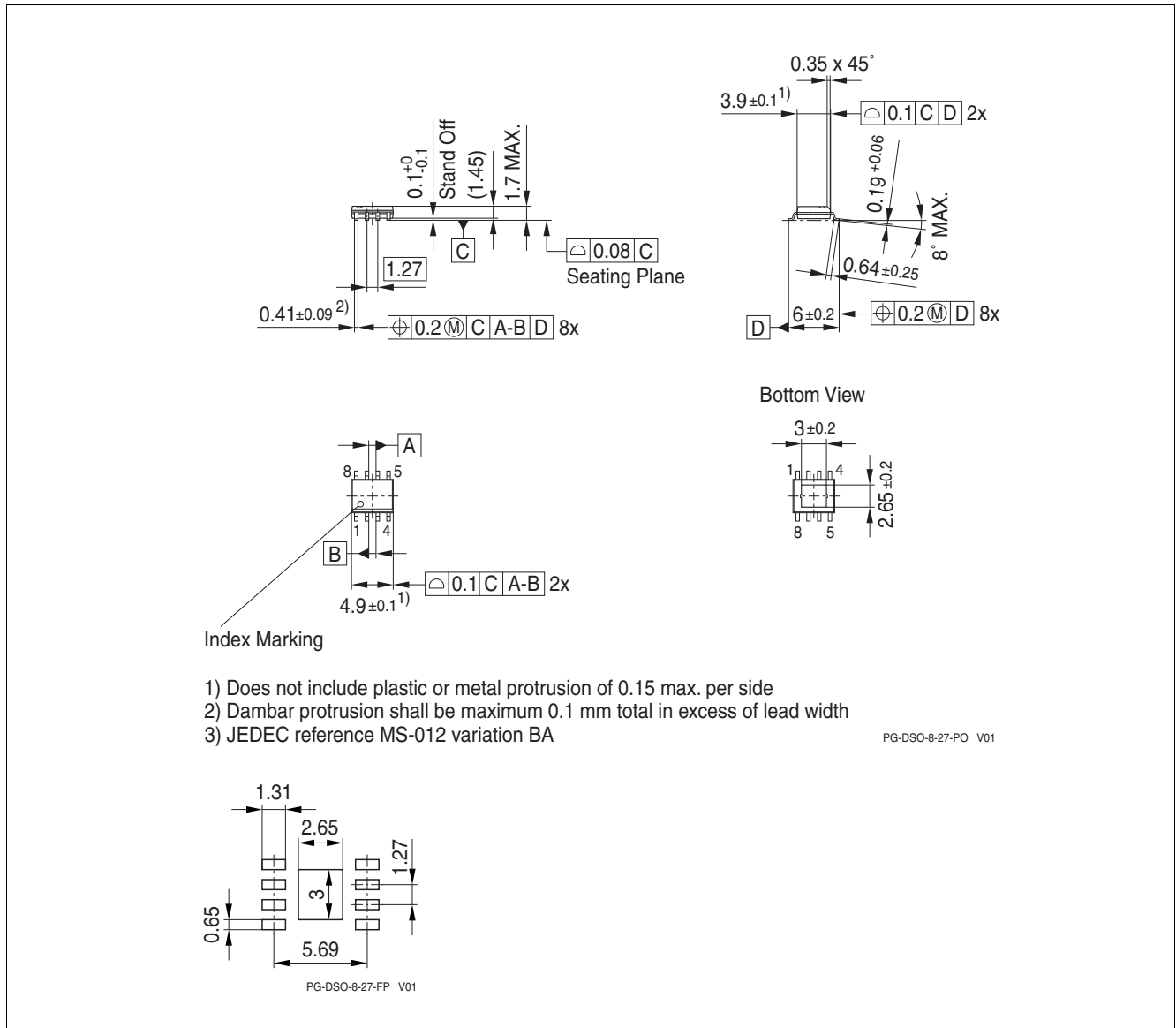


Figure 6 PG-DSO-8 (exposed pad) Outline and Recommended Footprint for Reflow Soldering

Green Product

To meet the world-wide customer requirements for environmentally friendly products and to be compliant with government regulations the device is available as a green product. Green products are RoHS-Compliant (i.e Pb-free finish on leads and suitable for Pb-free soldering according to IPC/JEDEC J-STD-020).

For further information on alternative packages, please visit our website:
<http://www.infineon.com/packages>.

Dimensions in mm

Revision History**7 Revision History**

Revision	Date	Changes
1.01	2015-10-23	Data sheet updated to new style guide. Editorial changes.
1.0	2011-03-31	Initial Data Sheet

Trademarks of Infineon Technologies AG

AURIX™, C166™, CanPAK™, CIPOST™, CIPURSE™, CoolGaN™, CoolMOS™, CoolSET™, CoolSiC™, CORECONTROL™, CROSSAVE™, DAVE™, DI-POL™, DrBLADE™, EasyPIM™, EconoBRIDGE™, EconoDUAL™, EconoPIM™, EconoPACK™, EiceDRIVER™, eupec™, FCOS™, HITFET™, HybridPACK™, i²RF™, ISOFACE™, IsoPACK™, i-Wafer™, LITIX™, MIPAQ™, ModSTACK™, my-d™, NovalithIC™, OmniTune™, OptiMOS™, OPTIGA™, ORIGA™, POWERCODE™, PRIMARION™, PrimePACK™, PrimeSTACK™, PRO-SIL™, PROFET™, RASIC™, ReverSave™, SatRIC™, SIEGET™, SINDRION™, SIPMOS™, SmartLEWIS™, SPOC™, SOLID FLASH™, TEMPFET™, thinQ!™, TRENCHSTOP™, TriCore™.

Other Trademarks

Advance Design System™ (ADS) of Agilent Technologies, AMBA™, ARM™, MULTI-ICE™, KEIL™, PRIMECELL™, REALVIEW™, THUMB™, µVision™ of ARM Limited, UK. ANSI™ of American National Standards Institute. AUTOSAR™ of AUTOSAR development partnership. Bluetooth™ of Bluetooth SIG Inc. CAT-iq™ of DECT Forum. COLOSSUS™, FirstGPS™ of Trimble Navigation Ltd. EMV™ of EMVCo, LLC (Visa Holdings Inc.). EPCOS™ of Epcos AG. FLEXGO™ of Microsoft Corporation. HYPERTERMINAL™ of Hilgraeve Incorporated. MCS™ of Intel Corp. IEC™ of Commission Electrotechnique Internationale. IrDA™ of Infrared Data Association Corporation. ISO™ of INTERNATIONAL ORGANIZATION FOR STANDARDIZATION. MATLAB™ of MathWorks, Inc. MAXIM™ of Maxim Integrated Products, Inc. MICROTEC™, NUCLEUS™ of Mentor Graphics Corporation. MIPI™ of MIPI Alliance, Inc. MIPS™ of MIPS Technologies, Inc., USA. muRata™ of MURATA MANUFACTURING CO., MICROWAVE OFFICE™ (MWO) of Applied Wave Research Inc., OmniVision™ of OmniVision Technologies, Inc. Openwave™ of Openwave Systems Inc. RED HAT™ of Red Hat, Inc. RFMD™ of RF Micro Devices, Inc. SIRIUS™ of Sirius Satellite Radio Inc. SOLARIS™ of Sun Microsystems, Inc. SPANSION™ of Spansion LLC Ltd. Symbian™ of Symbian Software Limited. TAIYO YUDEN™ of Taiyo Yuden Co. TEAKLITE™ of CEVA, Inc. TEKTRONIX™ of Tektronix Inc. TOKO™ of TOKO KABUSHIKI KAISHA TA. UNIX™ of X/Open Company Limited. VERILOG™, PALLADIUM™ of Cadence Design Systems, Inc. VLYNQ™ of Texas Instruments Incorporated. VXWORKS™, WIND RIVER™ of WIND RIVER SYSTEMS, INC. ZETEX™ of Diodes Zetex Limited.

Trademarks Update 2014-11-12

www.infineon.com

Edition 2015-10-23

Published by

Infineon Technologies AG

81726 Munich, Germany

© 2015 Infineon Technologies AG.

All Rights Reserved.

Do you have a question about any aspect of this document?

Email: erratum@infineon.com

Legal Disclaimer

The information given in this document shall in no event be regarded as a guarantee of conditions or characteristics. With respect to any examples or hints given herein, any typical values stated herein and/or any information regarding the application of the device, Infineon Technologies hereby disclaims any and all warranties and liabilities of any kind, including without limitation, warranties of non-infringement of intellectual property rights of any third party.

Information

For further information on technology, delivery terms and conditions and prices, please contact the nearest Infineon Technologies Office (www.infineon.com).

Warnings

Due to technical requirements, components may contain dangerous substances. For information on the types in question, please contact the nearest Infineon Technologies Office. The Infineon Technologies component described in this Data Sheet may be used in life-support devices or systems and/or automotive, aviation and aerospace applications or systems only with the express written approval of Infineon Technologies, if a failure of such components can reasonably be expected to cause the failure of that life-support automotive, aviation and aerospace device or system or to affect the safety or effectiveness of that device or system. Life support devices or systems are intended to be implanted in the human body or to support and/or maintain and sustain and/or protect human life. If they fail, it is reasonable to assume that the health of the user or other persons may be endangered.