

THIS DRAWING IS UNPUBLISHED.

RELEASED FOR PUBLICATION

LOC

DIST

REVISIONS

© COPYRIGHT - BY TYCO ELECTRONICS CORPORATION. ALL INTERNATIONAL RIGHTS RESERVED.

FT

0

P

LTR

DESCRIPTION

DATE

DWN

APVD

A

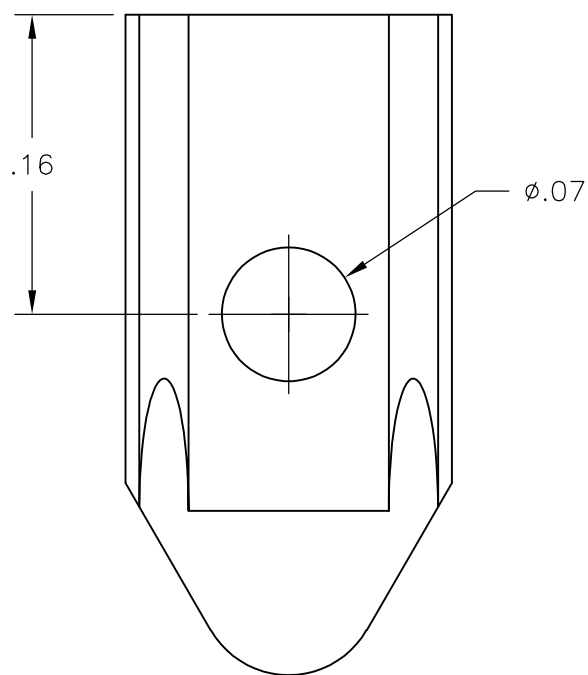
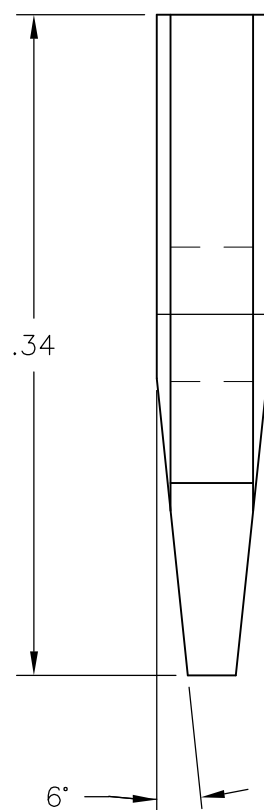
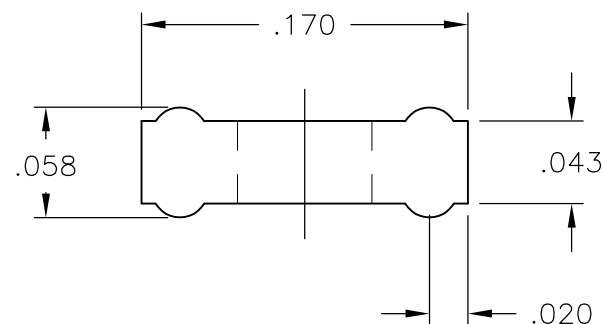
-

1/6/09

SS

SM

△ MATERIAL: NYLON.



PC17	1437410-5
CAT. NO.	PART NUMBER

THIS DRAWING IS A CONTROLLED DOCUMENT.		DWN S SCHLEGEL 06JAN2009	Tyco Electronics Corporation Harrisburg, PA 17105-3608	
DIMENSIONS: INCHES	TOLERANCES UNLESS OTHERWISE SPECIFIED:	CHK S MACE 1/6/09	NAME PC17 KEYING PLUG PCB	
	0 PLC ± -	APVD S MACE 1/6/09	PRODUCT SPEC	
	1 PLC ± -	PRODUCT SPEC	APPLICATION SPEC	
MATERIAL	FINISH	WEIGHT	SIZE A3	CAGE CODE 00779
-	-	-	DRAWING NO C-1437410-5	RESTRICTED TO
CUSTOMER DRAWING			SCALE 10:1	SHEET 1 OF 1
			REV A	