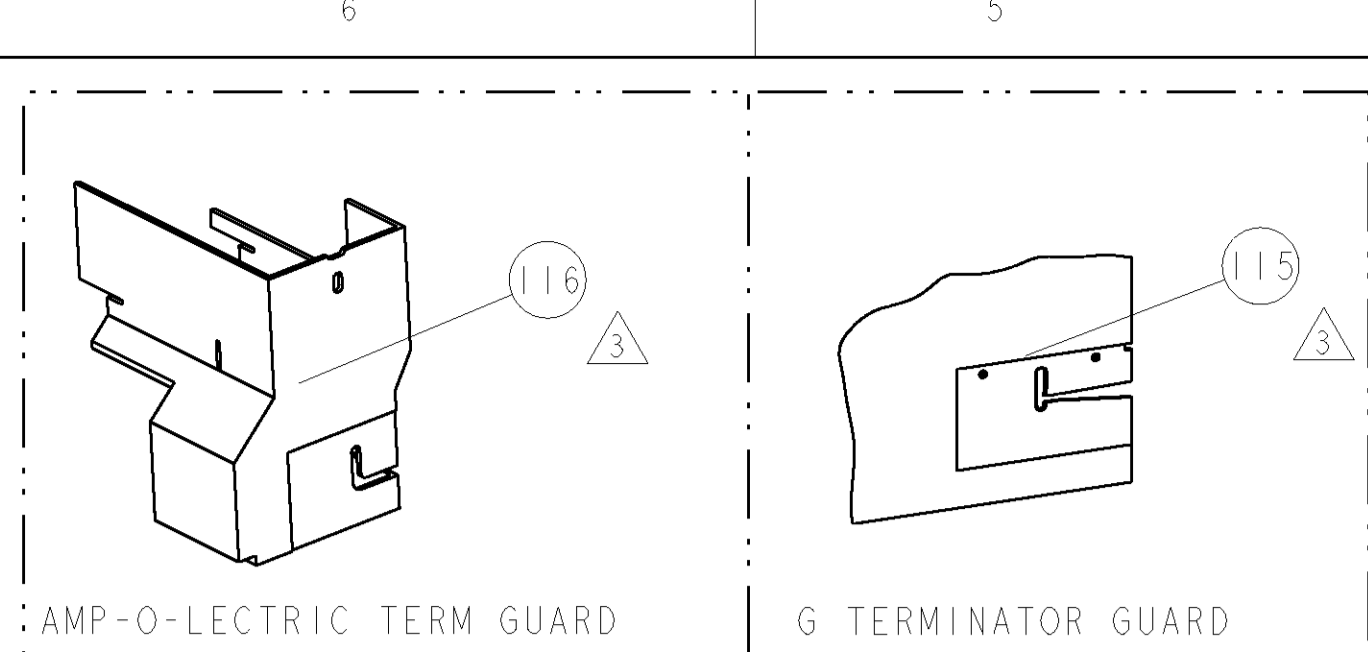


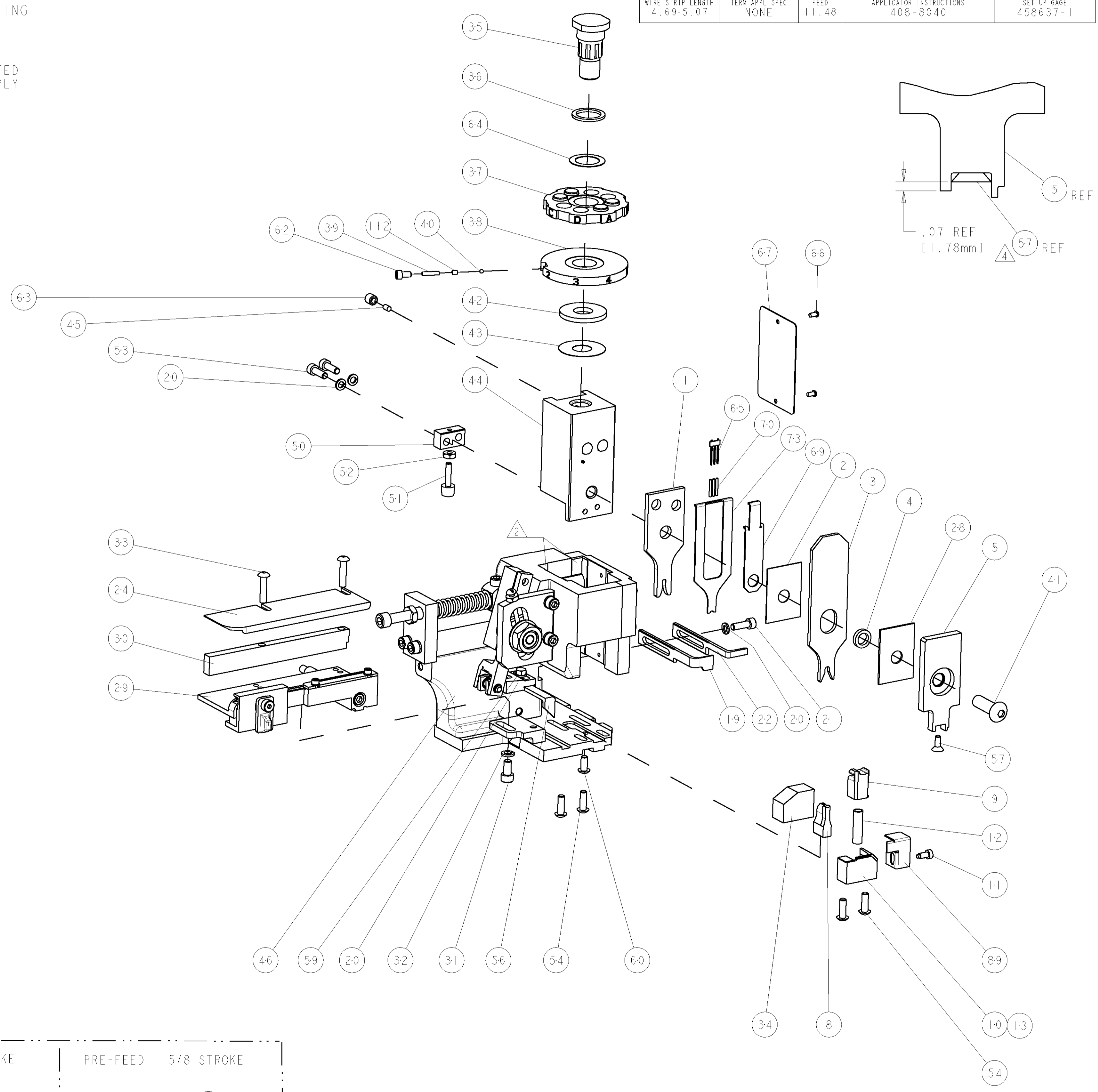
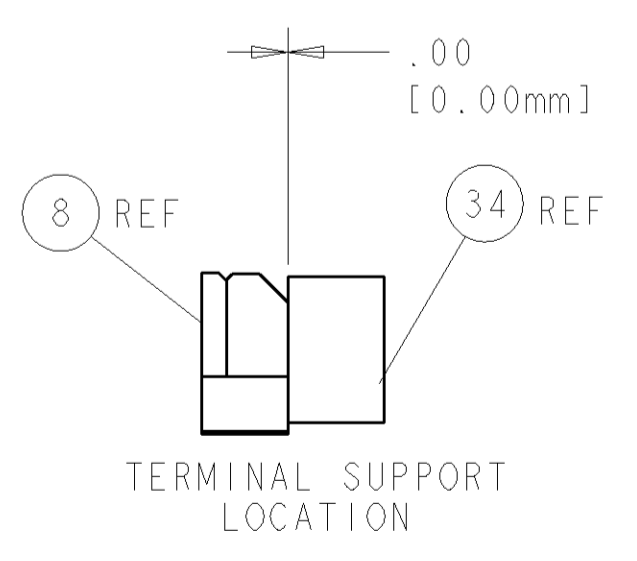
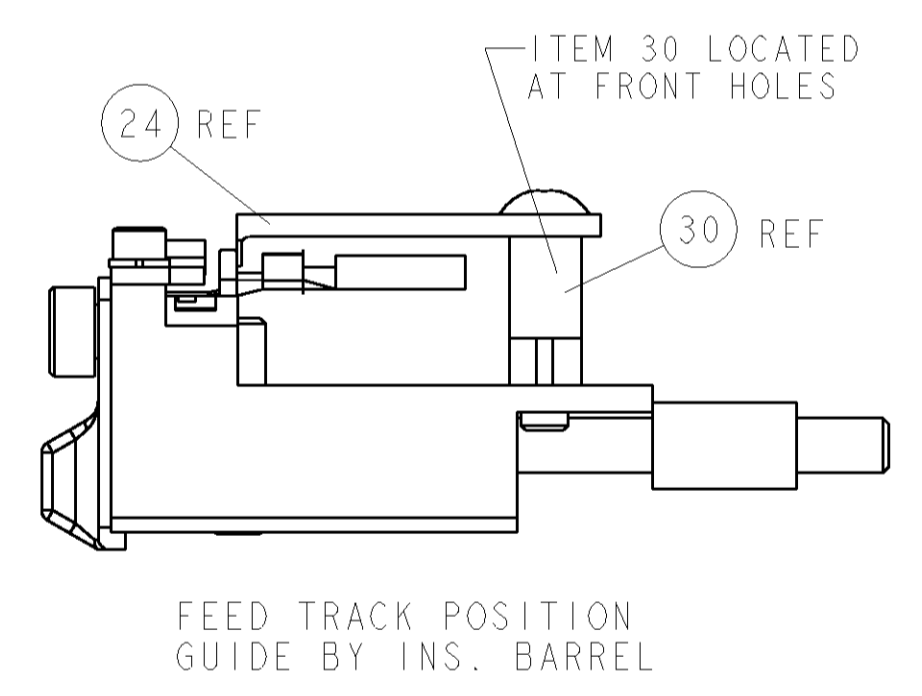
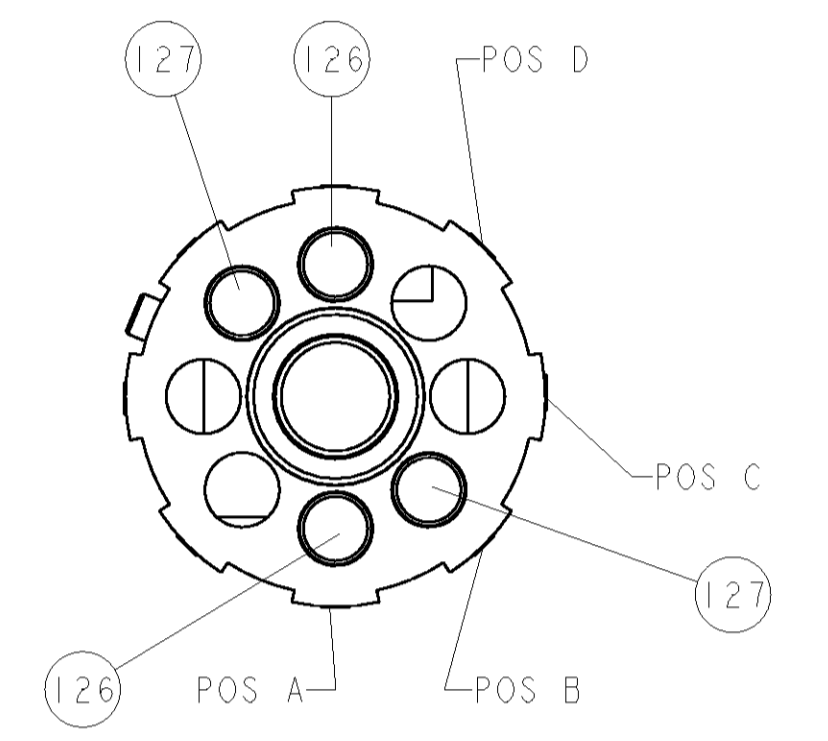
PART NUMBER	REV	FIRST USED	POWER UNIT	FEED TYPE	DESCRIPTION
1852804-1	A	122500-1	LEADMAKER	POST FEED	CUTS CARRIER
1852804-2	A	565435-5	BENCH MODEL K	PRE FEED	CUTS CARRIER
1852804-3	A	354500-1	BENCH MODEL G	PRE FEED	CUTS CARRIER
1852804-6	A	122500-1	LEADMAKER	POST FEED	CONTINUOUS CARRIER
7-1852804-7	A	-	-	-	SPARE PARTS



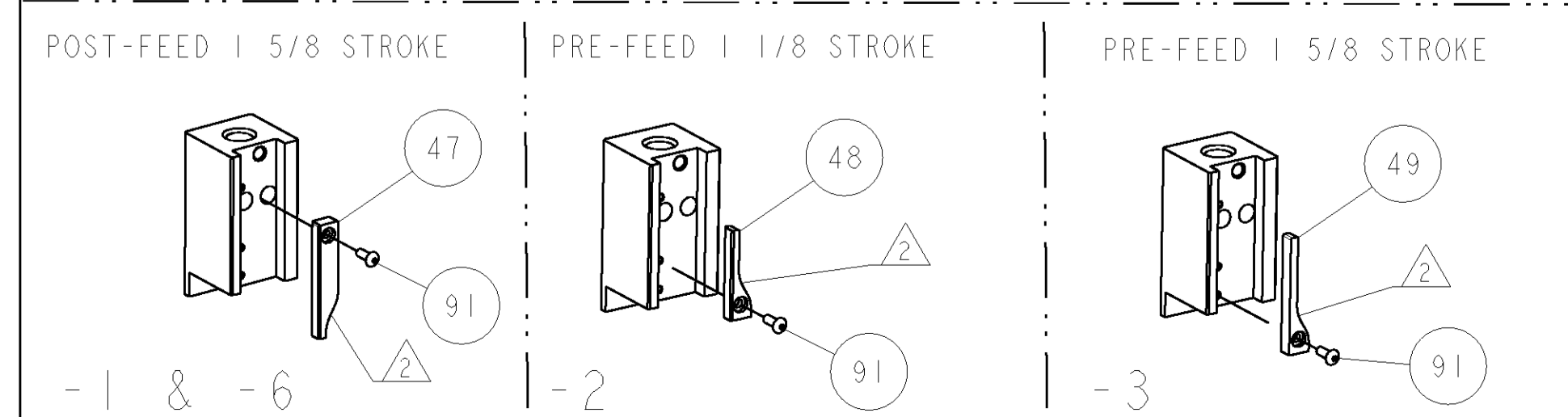
TE PN	MANUF PN	LEARN TERMINAL - TE CRIMP SPECS
1949861	26780.201.184	
-	-	CRIMP HEIGHT
-	-	WIRE SIZE
-	-	A 1.47mm+.05/-.05 [.058+.002/- .002]
-	-	B 1.32mm+.05/-.05 [.052+.002/- .002]
-	-	C
-	-	D
-	-	CRIMP
-	-	SIZE
-	-	TYPE
-	-	RANGE
SEAL PN	-	
286867	15324973	WIRE 2.03mm [.080]
-	-	INSUL 3.56mm [.140]
WIRE STRIP LENGTH 4.69-5.07	TERM APPL SPEC NONE	FEED 11.48
APPLICATOR INSTRUCTIONS 408-8040		SET UP GAGE 458637-1

LOC	DIST	REV	DESCRIPTION	DATE	OWN	APPR
A	66		RELEASED	20JAN2009	RK	TE

- RECOMMENDED SPARE PARTS
- GREASE LIGHTLY
- GUARD MUST BE IN PLACE WHEN OPERATING APPLICATOR IN A BENCH MACHINE
- APPLY TORQ-SEAL IN ALLEN SOCKET TO FILL HOLE AFTER FLAT HD HAS BEEN ADJUSTED TO CORRECT HEIGHT AT QUALIFICATION. APPLY PN 1-23419-5 LOC-TITE TO THREADS.



-	2	2	2	2	-	2-354779-4	PIN, WIRE DISC, .3110	127
-	2	2	2	2	-	1-354779-0	PIN, WIRE DISC, .3040	126
-	-	-	REF	-	..	455749-1	GUARD WINDOW	116
-	-	REF	-	-	..	679532-1	INSERT, GUARD	115
-	1	1	1	1	-	690603-1	SPRING ASSIST AMP-O-MATOR APPLICATOR	112
-	1	1	1	1	-	1-21002-7	SCR, BTN SKT HD CAP 6-32 X .375	91
-	1	1	1	1	-	318563-1	GUARD, FRONT CHIP	89
-	1	1	1	1	-	1490525-2	DEPRESSOR, WIRE	73
-	1	1	1	1	-	4088040	SF APPL INST 408-8040	72
-	1	1	1	1	-	217238-1	GENERAL INSTRUCTION PKG	71
-	3	3	3	3	-	2-23147-2	SPRING, COMPRESSION	70
-	1	1	1	1	-	1490524-2	DEPRESSOR, SPACER	69
-	1	1	1	1	-	461264-1	PLATE, IDENTIFICATION	67
-	2	2	2	2	-	21017-2	SCREW, DRIVE	66
-	1	1	1	1	-	1424350-1	HOLDER, PIN, WIRED	65
-	1	1	1	1	-	986950-1	WASHER, FLAT PRECISION	64
-	1	1	1	1	-	21009-2	SCR, SET, SELF LOCKING 1/4-20 X .250	63
-	1	1	1	1	-	23030-1	SCR, SKT HD CAP 6-32 X .25	62
-	1	1	1	1	-	22733-8	SCR, BHSC, SELF-LOCKING, 8-32 X .375	60
-	1	1	1	1	-	2-22603-0	SCR, HEX HD CAP 8-32 X .312	59
-	1	1	1	1	-	1-21003-9	SCR, FLT SKT HD CAP 6-32 X .375	57
-	1	1	1	1	-	458537-2	PAWL, FEED	56
-	4	4	4	4	-	2-21002-2	SCR, BTN SKT HD CAP 8-32 X .500	54
-	2	2	2	2	-	2-21000-7	SCR, SKT HD CAP 8-32 X .500	53
-	1	1	1	1	-	21018-5	NUT, HEX, REG 6-32	52
-	1	1	1	1	-	811242-2	BUMPER, HOLD DOWN	51
-	1	1	1	1	-	690753-1	SPACER, TONKER	50
-	-	-	-	-	..	690602-6	CAM, PRE FEED, 1 5/8	49
-	-	-	-	-	..	690602-5	CAM, PRE FEED, 1 1/8	48
-	1	-	-	1	-	690501-4	CAM, POST-FEED 1 5/8	47
-	1	1	1	1	-	459456-1	APPL. BASIC SUB ASSY (SIDE WISE MOCA)	46
-	1	1	1	1	-	690191-1	PLUG, NYLON	45
-	1	1	1	1	-	455673-1	RAM, SIDE FEED	44
-	1	1	1	1	-	690125-1	SHIM SUB-ASSY	43
-	1	1	1	1	-	690124-1	WASHER, RAM (.115)	42
-	1	1	1	1	-	7-21002-9	SCR, BTN SKT HD CAP 5/16-24 X 1.00	41
-	1	1	1	1	-	23241-6	BALL, STEEL	40
-	1	1	1	1	-	690170-1	SPRING, COMPRESSION	39
-	1	1	1	1	-	1-690142-0	DISC, INSULATION	38
-	1	1	1	1	-	354777-1	WIRE DISC, ASSEMBLY	37
-	1	1	1	1	-	22480-5	SPRING, COMPRESSION	36
-	1	1	1	1	-	690212-1	POST, RAM	35
-	1	1	1	1	-	690786-3	TERMINAL SUPPORT	34
-	2	2	2	2	-	2-21002-4	SCR, BTN SKT HD CAP 8-32 X .750	33
-	1	1	1	1	-	21024-5	WASHER, SPRG LOCK, REG NO 10	32
-	1	1	1	1	-	3-21000-4	SCR, SKT HD CAP 10-32 X .375	31
-	1	1	1	1	-	1320908-8	SPACER, STRIP GUIDE	30
-	1	1	1	1	-	1633091-3	ASSEMBLY, STRIP GUIDE	29
-	1	1	1	1	-	1-455888-0	SPACER, CRIMPER	28
-	1	1	1	1	-	1320928-1	PLATE, STRIP GUIDE	24
-	1	-	-	-	-	690472-2	STRIPPER	22
-	1	1	1	1	-	2-21000-7	SCR, SKT HD CAP 8-32 X .500	21
-	4	4	4	4	-	21024-4	WASHER, SPRG LOCK, REG NO 8	20
-	-	-	-	-	..	691353-2	STRIPPER	19
-	1	-	-	-	-	679625-2	SHEAR HOLDER, FRONT (NO CUT)	13
-	1	1	1	1	-	3-22280-3	SPRING, COMPRESSION	12
-	1	1	1	1	-	690461-2	STOP, SHEAR	11
-	-	-	-	-	..	1-690459-0	SHEAR HOLDER, FRONT	10
-	1	1	1	1	-	318707-2	FLOATING SHEAR, FRONT	9
-	1	1	1	1	-	4-1633109-4	ANVIL, COMBINATION .080	8
-	-	-	-	-	..	-	-	7
-	-	-	-	-	..	-	-	6
-	1	1	1	1	-	318701-1	DEPRESSOR, SHEAR	5
-	1	1	1	1	-	238011-4	BLOCK, CRIMPER SPACER	4
-	1	1	1	1	-	1633710-7	CRIMPER, INSULATION 0	3
-	1	1	1	1	-	455888-4	SPACER, CRIMPER	2
-	1	1	1	1	-	2-456405-4	CRIMPER, WIRE PREMIUM	1



DIMENSIONS:	TOLERANCES UNLESS OTHERWISE SPECIFIED:	DATE	REV	DESCRIPTION	ITEM NO
INCHES	0 PLC ±.01 1 PLC ±.01 2 PLC ±.01 3 PLC ±.001 4 PLC ±.0001	19DEC2008	20JAN2009	SIDE FEED HDM APPLICATOR	-
MATERIAL	FINISH	APPROVED	SCALE	3:5	SHEET 1 OF 1
CUSTOMER DRAWING		SCALE		3:5	SHEET 1 OF 1

CUSTOMER VIEWABLE ASSEMBLY