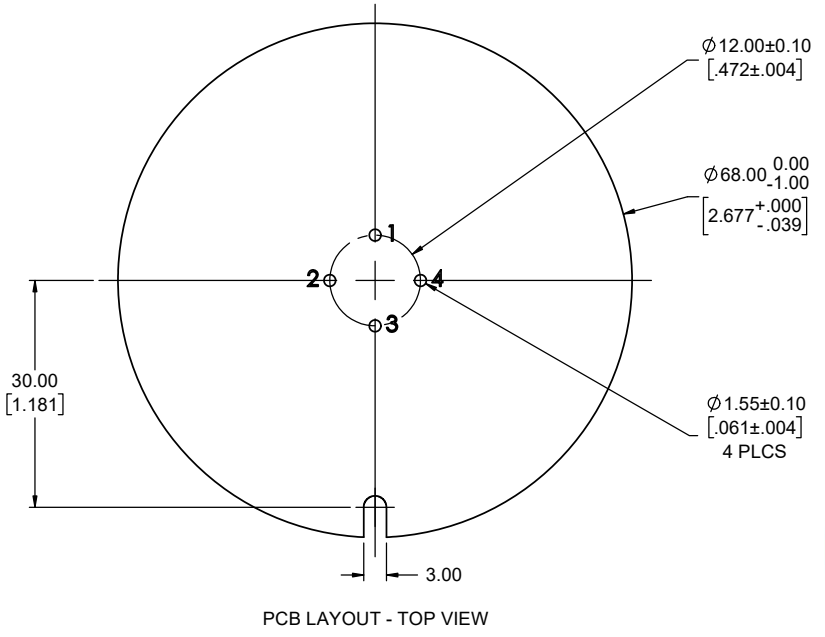
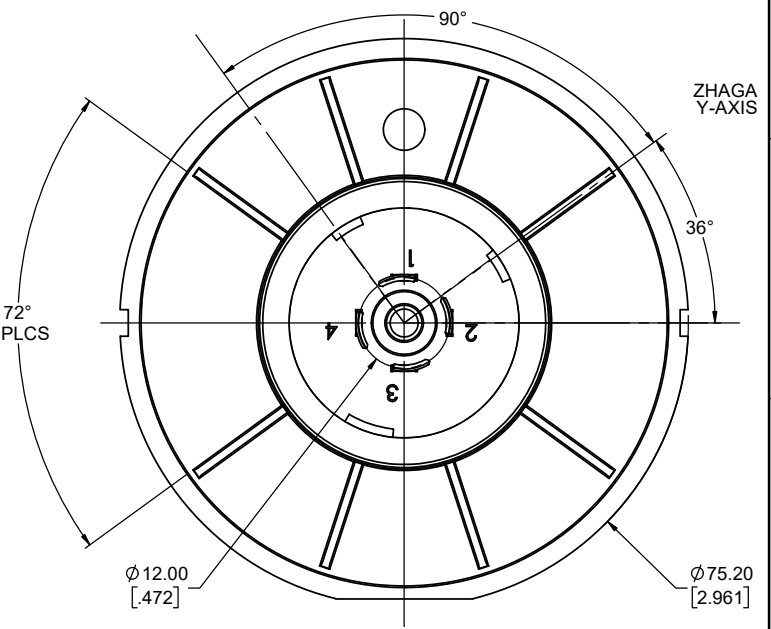
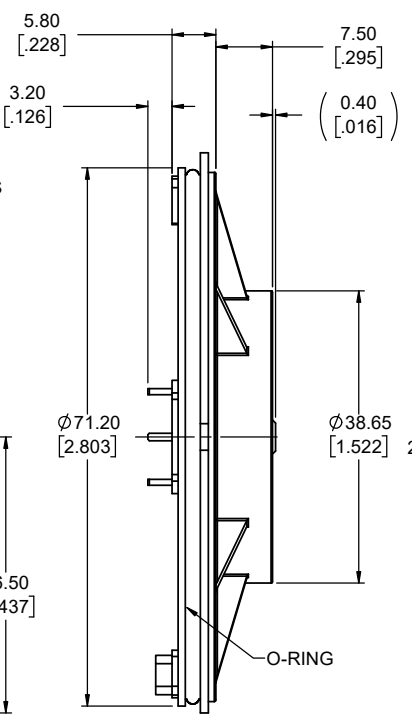
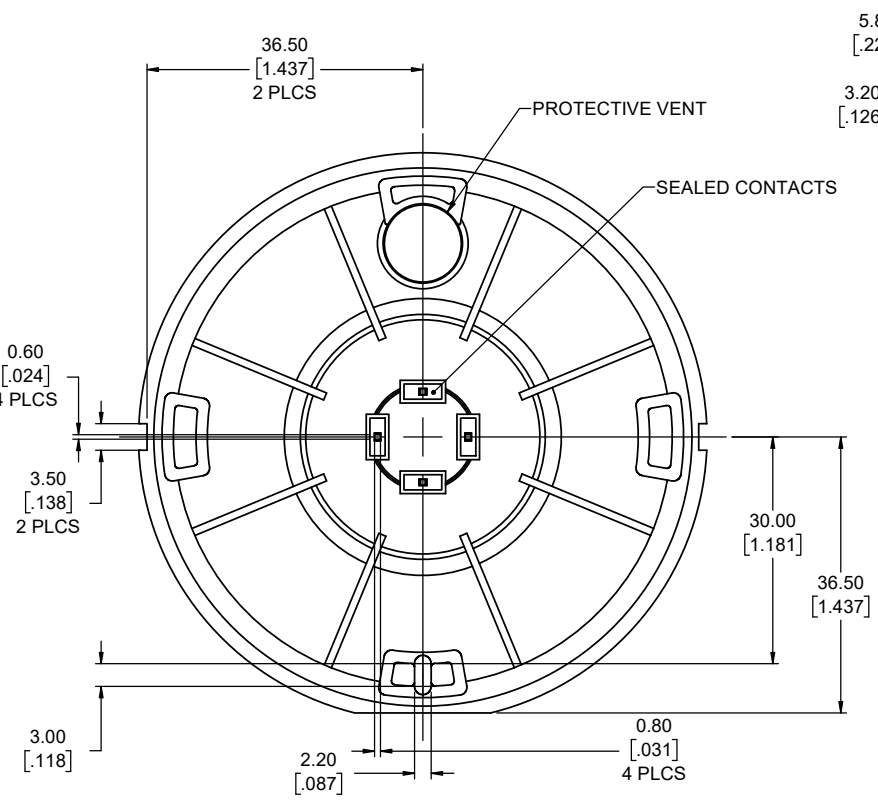


REVISIONS			
REV	DESCRIPTION, ECN, EAR NO.	DATE	APPD
A	PROPOSAL DRAWING	AUG13/19	S.M
B	NOTE SEALED CONTACT ADDED	OCT29/19	S.M



NOTES:

- MATERIALS: ALL MATERIALS ARE RoHS COMPLIANT PER EU DIRECTIVE 2011/65/EU & AMENDMENTS.
 - MODULE HOUSING: PBT, COLOUR: GREY
 - CONTACTS: COPPER ALLOY, FINISH: MATTE TIN OVER NICKEL
 - O-RING: SILICON RUBBER, COLOUR: BLACK
 - PROTECTIVE VENT: PTFE PLASTIC

CONTACT NO	ASSIGNMENT
1	+24 V AUX POWER SUPPLY
2	DA- (NEGATIVE POLE FOR DALI PROTOCOL AND POWER) GROUND FOR 24 V AUX POWER SUPPLY
3	DA+ (POSITIVE POLE FOR THE DALI PROTOCOL AND POWER)
4	NOT CONNECTED

AMPHENOL PART NUMBER: FLS-SB80-02



UNLESS SPECIFIED OTHERWISE	DRAWN	I.NELSON	AUG13/19
PRIMARY UNITS MILLIMETERS	CHECKED	S.MUGAN	AUG13/19
SECONDARY INCHES	M.E. APPD		
REFERENCE IN PARENTHESES	Q.A. APPD		
GENERAL TOLERANCES	DWG APPR.		
1 DECIMAL PLACE	ENG. REL. NO.		
2 DECIMAL PLACES ±0.2	REF.		
3 DECIMAL PLACES	THIRD ANGLE PROJECTION		
ANGULAR DEGREES ±2°	DO NOT SCALE DRAWING		

Amphenol Canada Corp.
Commercial Products

FLS SERIES, LUMINAIRE EXTENSION
MODULE 80mm BASE, VENTED
ZHAGA BOOK 18 COMPLIANT,
RoHS COMPLIANT

DWG. NO. **P-FLS-SB80-02** REV **B**

CODE ID NO. 03554 DWG SIZE: X SCALE: 2:1 SHEET 1 OF 1