
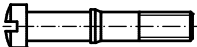


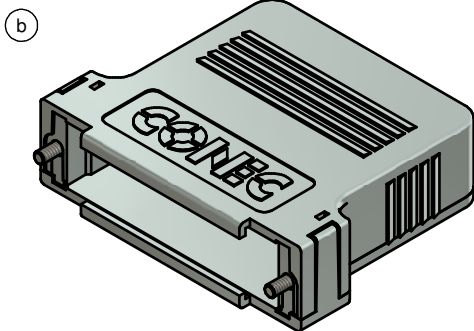
 <p>CABLE STRAIN RELIEF (1x)</p>	 <p>LENS HEAD SCREW (2x)</p>	
 <p>SHORT SCREW (2x)</p>	 <p>PRESS INSERT (1x)</p>	 <p>COVER SCREW (2x)</p>



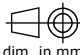

NOTES:

1. HOOD + COVER: ABS UL 94 V-0; METALLIZED
2. CABLE STRAIN RELIEF: STEEL; NICKEL PLATED
3. PRESS INSERT: ABS UL 94 V-0; METALLIZED
4. SHORT SCREWS: STEEL; NICKEL PLATED
5. COVER SCREWS: STEEL; NICKEL PLATED
6. LENS HEAD SCREWS: STEEL; NICKEL PLATED

TECHNICAL DATA:

- TEMPERATURE RANGE: -33°C to + 90 °C

Directive 2002/95/EC RoHS compliant

THIS DRAWING MAY NOT BE COPIED OR REPRODUCED IN ANY WAY, AND MAY NOT BE PASSED ON TO A THIRD PARTY WITHOUT WRITTEN PERMISSION. OWNERSHIP AND COPYRIGHT OF CONEC GmbH DO NOT ALTER CAD DRAWING BY HAND				tolerance		scale: 1:1
				date	name	material:
				drawn	03.09.14	Unkrüer
				appd.	03.09.14	Lehmenkühler
				norm		
				d-old	16K2A171A	
3 x b	Ä 5304	03.09.2014	Unkrüer	title: PLASTIC HOOD 50pos. with straight cable exit		
a	Original					
rev.	description	date	name			sh: 1
(b) 16K1A3497						part no: 165X13509X