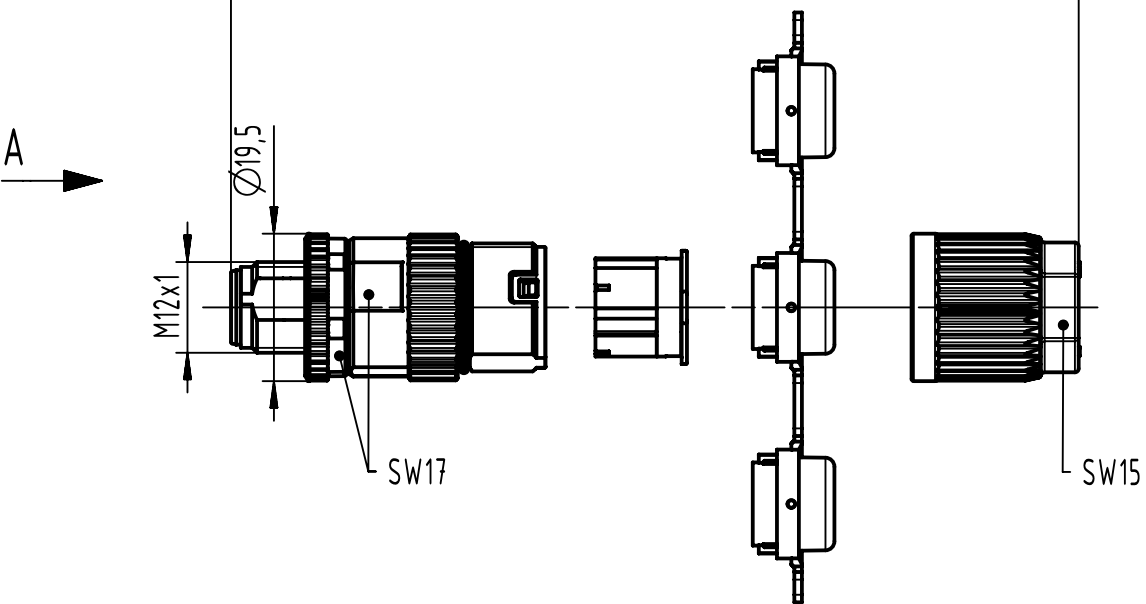
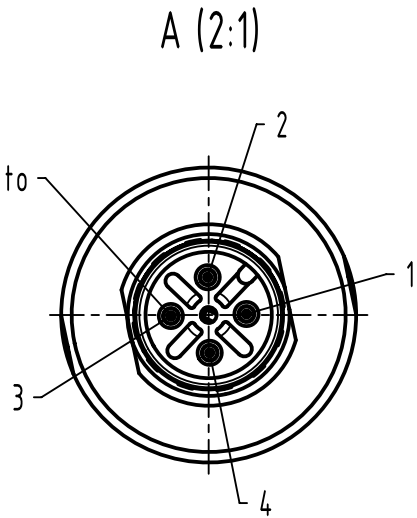


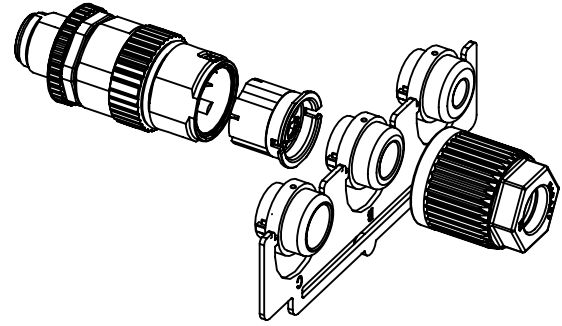
complete length when assembled app. 52mm




Contact face acc. to IEC 61076-2-101



conductor cross section	cable outside diameter
0.14 - 0.34mm <sup>2</sup> AWG26-AWG22	4.5 - 8.8mm



	All Dimensions in mm Original Size DIN A4		Scale 2:1	Free size tol.		Ref.
	All rights reserved Department EL PD		Created by DYCKC	Inspected by EISFELD	Standardisation 302077	Sub.
HARTING Electronics GmbH D-32339 Espelkamp			Title HARAX M12-L shielded male 4-pole A-coded			Date 2020-10-22
			Type TB	Number 21032211405		State Final Release
						Doc-Key / ECM-Nr. 100197019/UGD/004/H 500000179215
						Rev. H
						Page 1/1