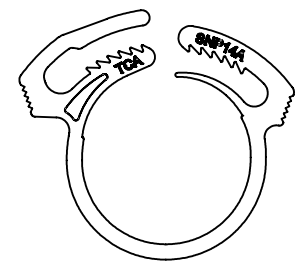
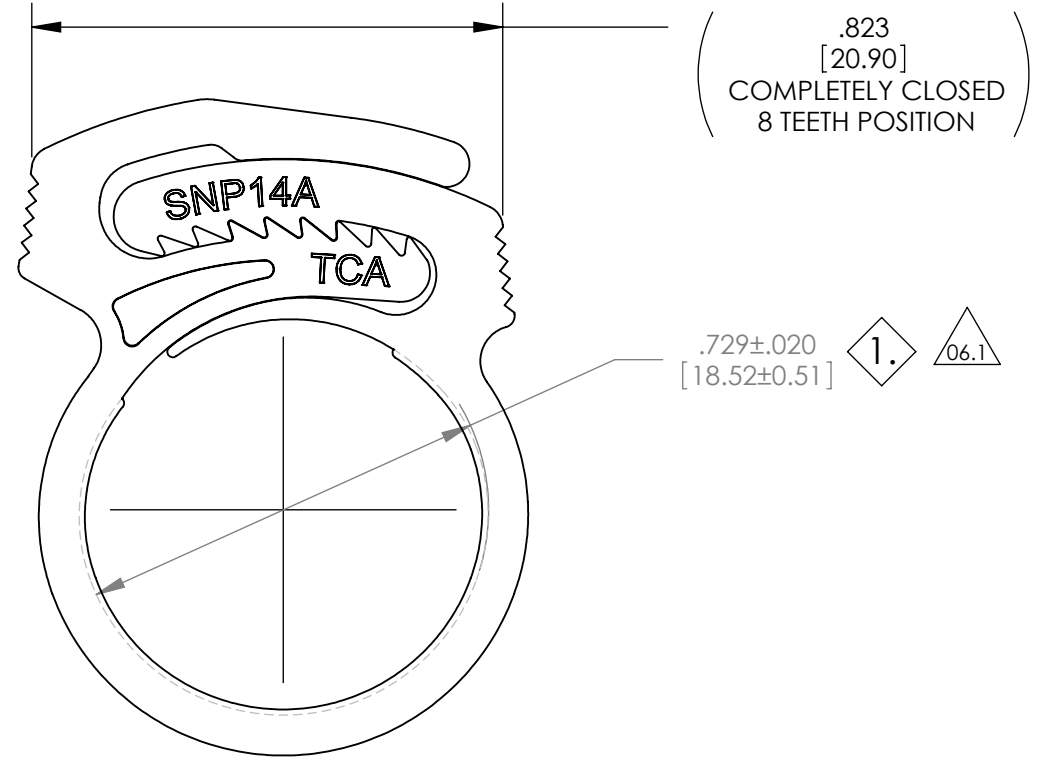
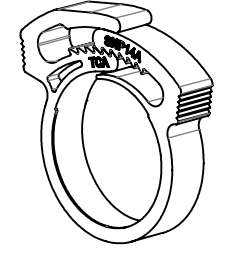


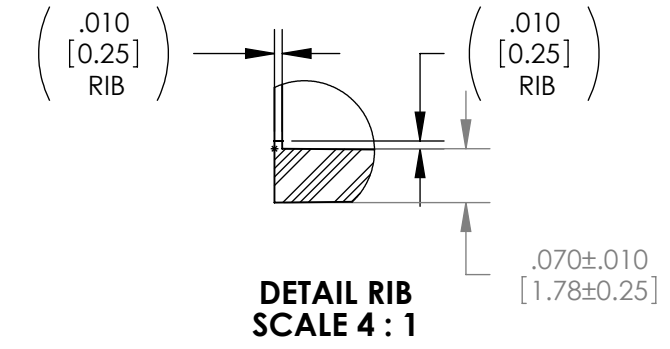
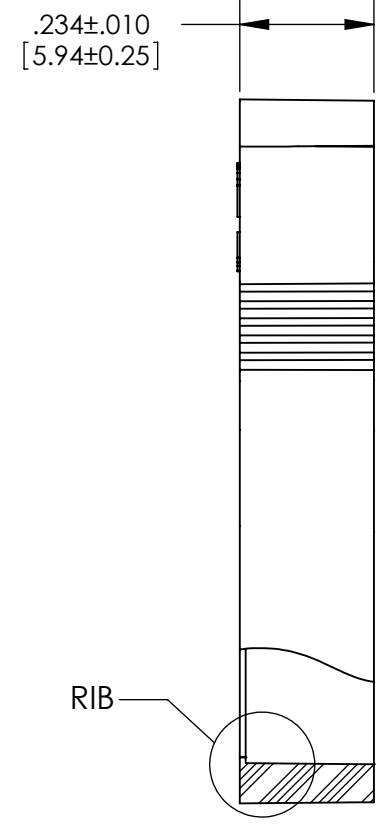
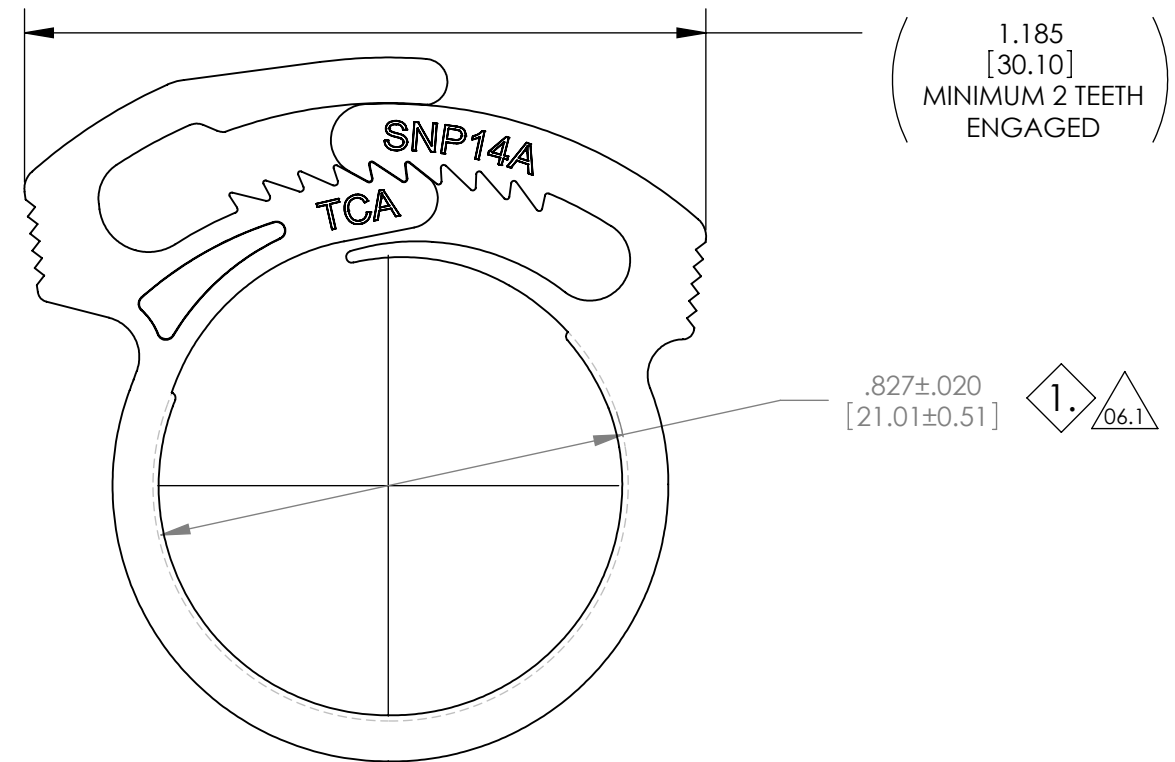
Revision level			Revision Record	Changed	Date	Approved	Date
Drawing	State	Part					
06.1	Design Release	A	SEE ECN# 015132	CTF	05/13/2019	JPG	05/13/2019





AS MOLDED  
SCALE 1 : 1




ISOMETRIC VIEW  
SCALE 1 : 1



**PRODUCT CODE DESCRIPTION**  
 SNP14AGHS\_ <sup>L</sup> COLOR  
 (CONSULT FACTORY FOR AVAILABLE COLORS)

Notes  
 1.  INSIDE DIAMETERS ARE MEASURED IN THREE PLACES SPACED 120 DEGREES APART EXCLUDING RIB.  
 2. 12 TOTAL TEETH, 8 TEETH POSITIONS.  


Material  
 PA66GF13 or  
 PA66HIRHSG15  


Units: inches  
 Dimension without tolerances details to:  
 Tolerance defined on each dimension

The copyright of this drawing is reserved by HellermannTyton. It is issued on condition that it is not reproduced, copied, or disclosed to a third party, either wholly or in part, without the consent of HellermannTyton.

Drawn DJY 06/19/2007  
 Approved KAC 06/19/2007  
  
 North America  
 Email: corp@htamericas.com  
 Web: www.hellermann.tyton.com

Article/Type-No SNP14AGHS\_  
 Title SNP14A HOSE CLAMP  
 Drawing-No CP07-024-001CST  
 Production : Phase

Scale 3:1  
 Project Number PRPCP07-024  
 Format B  
 Sheet 1/1